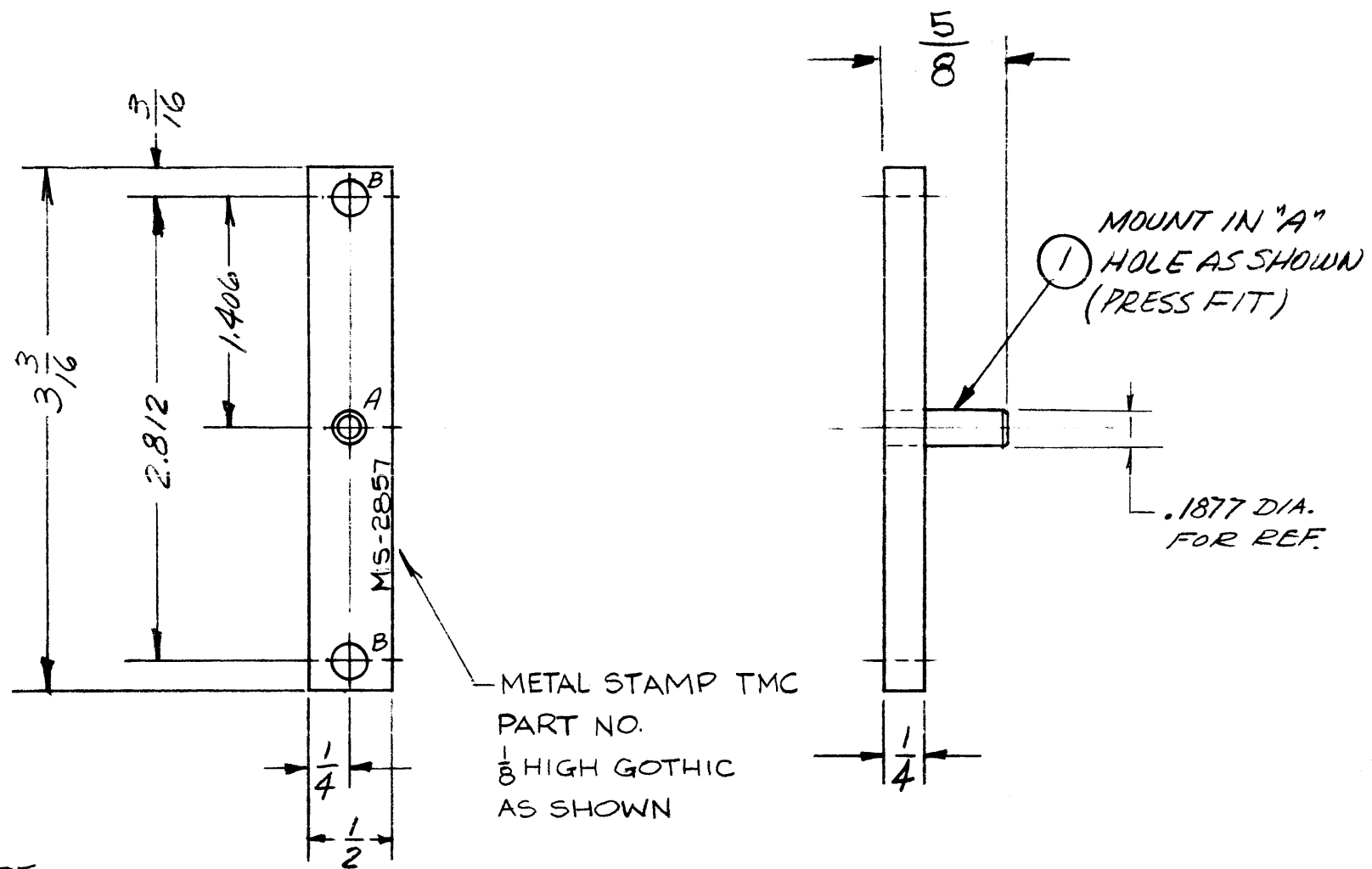


MS-2857

THE CONTENTS OF THIS DRAWING ARE THE EXCLUSIVE PROPERTY OF THE TECHNICAL MATERIEL CORP. ITS UNAUTHORIZED USE OR REPRODUCTION IN WHOLE OR IN PART IS STRICTLY FORBIDDEN.

LEGEND

HOLE	DESCRIPTION	QUAN
A	.185 DIA. SLIGHT CHAMFER	1
B	.205 DIA.	2



NOTE:
S404 YEL IRIDITE
BEFORE ASSEMBLING
WITH DOWEL PIN.

NOTE TO PERSONS RECEIVING THIS DRAWING
THE TECHNICAL MATERIEL CORPORATION claims
proprietary rights in the design and
this drawing is not to be used for
reproduction or for any other purpose
without the written consent of the
company. The company is not responsible
for any errors or omissions in this
drawing or for any damages resulting
therefrom.

1	1	PN-11685S	PIN, DOWEL		
REQ.	ITEM	PART NO.	J. ANGER	DESCRIPTION	SYMBOL
STOCK SIZE			THE TECHNICAL MATERIEL CORP. MAMARONECK, NEW YORK		
ALUMINUM			PLATE, MTG, DOWEL PIN		
MATERIAL					
2024-T4			AE	NO	BP
TYPE & TEMPER		HEAT TREAT. SPEC.	DRAWN	CHECKED	FINAL APPROVAL
SEE NOTE			J. ANGER		MS-2857
FINISH & SPEC. NO.			ELEC. DES. APP.	MECH. DES. APP.	

SYM	DESCRIPTION	DATE	CH. NO.	DRAFTS	CHECKER	ENG. APP.
UNLESS OTHERWISE SPECIFIED:		SCALE:				
DIMENSIONS ARE IN INCHES		MAXIMUM ALLOWABLE TOLERANCES HAVE				
TOLERANCES ON		BEEN DETERMINED AND ANY DEVIATIONS				
FRACTIONS ± 1/64		WILL BE CAUSE FOR REJECTION.				
DECIMALS ± .005		REMOVE ALL BURRS AND SHARP EDGES				
ANGLES ± 1/2°						
REQ. PER UNIT	MODEL	SECTION	ASS'Y. NO.	DATE		
1	HER-111		A-3042	1-22-62		
USED ON						