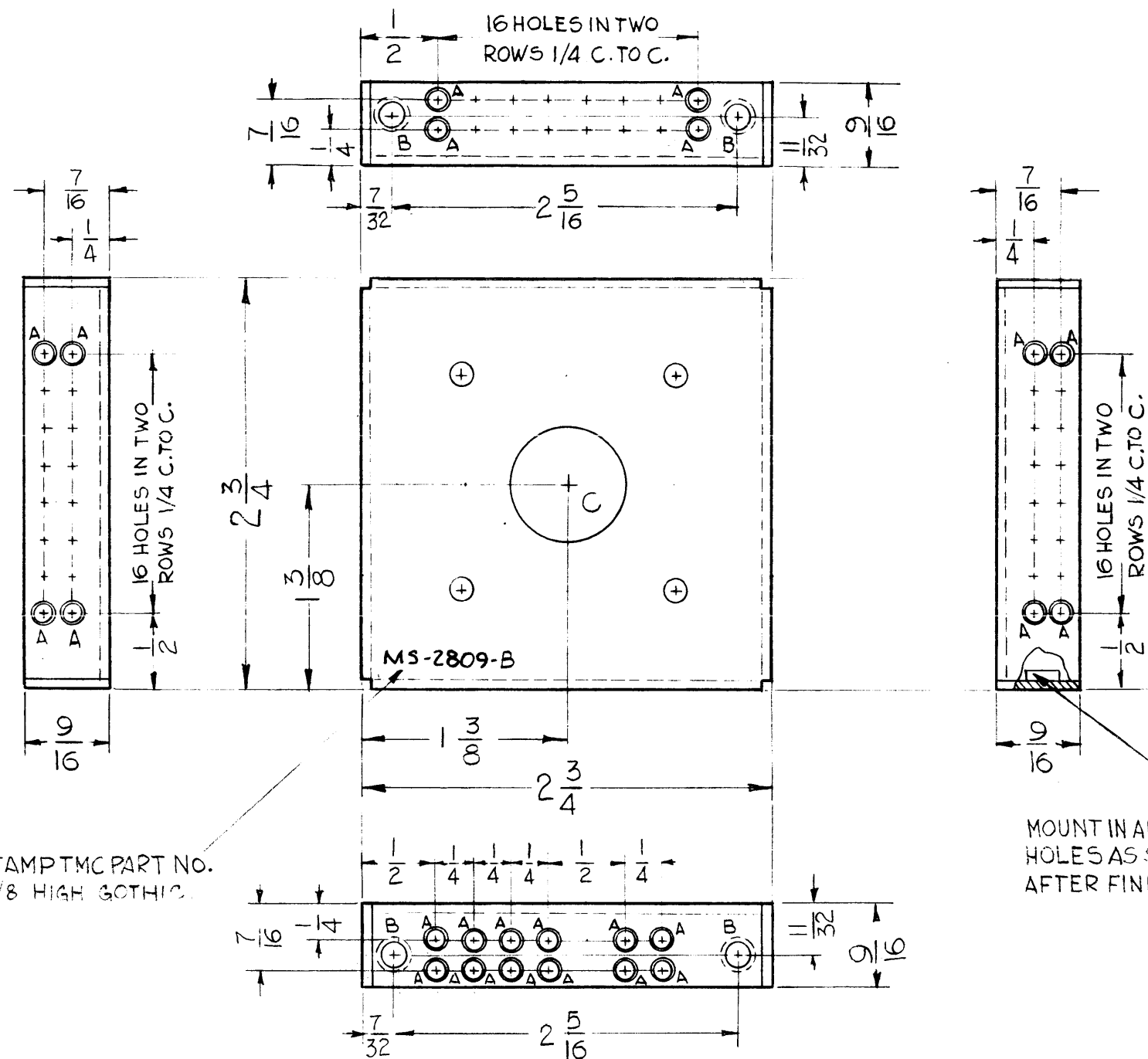


MS-2809 B

THE CONTENTS OF THIS DRAWING ARE THE EXCLUSIVE PROPERTY OF THE TECHNICAL MATERIEL CORP. ITS UNAUTHORIZED USE OR REPRODUCTION IN WHOLE OR IN PART IS STRICTLY FORBIDDEN.



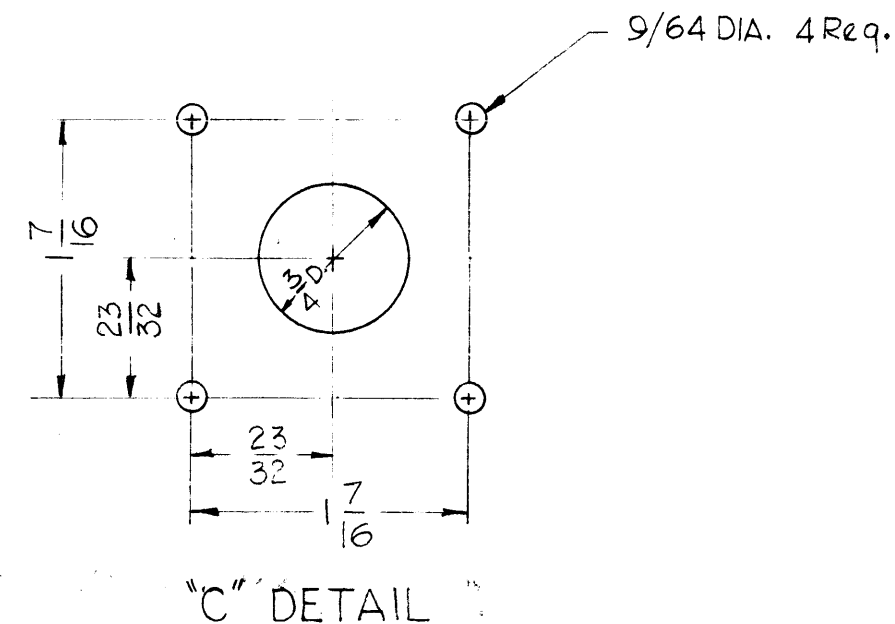
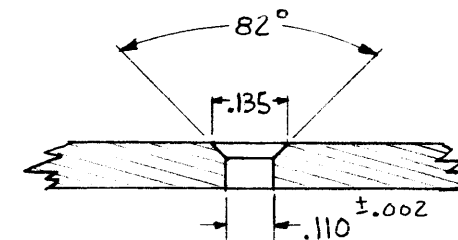
METAL STAMP TMC PART NO. ON REAR 1/8 HIGH GOTHIC.

MOUNT IN ALL "B" HOLES AS SHOWN AFTER FINISH

USE MATERIAL THICKNESS FOR MAX. RADIUS ON ALL BENDS UNLESS OTHERWISE SPECIFIED

LEGEND		
HOLE	DESCRIPTION	REQ.
A	SEE DETAIL	60
B	.161 - .164 DIA.	4
C	SEE DETAIL	1

"A" DETAIL



REF: LD-1101 (2)

4	1	NT-129-440-4	NUT, ROUND SWAGE TYPE	B
REQ.	ITEM	PART NO.	STROMER DESCRIPTION	SYMBOL
.064 THK.			THE TECHNICAL MATERIEL CORP.	
STOCK SIZE			MAMARONECK, NEW YORK	
ALUMINUM			BRACKET, MOUNTING, CRYSTAL	
MATERIAL				
5052-432		G.D.L.		BP
TYPE & TEMPER		DRAWN		
S404 YELLOW IRIDITE		CHECKED		MS-2809 B
FINISH & SPEC. NO.		MECH. DES. APP.		

B	(60) "A" HOLES WERE .111 DIA.	10-26-62	7535			
A	METAL STAMP RELOCATED WAS ON FRONT	5-25-62	#	M.F.		
SYM	DESCRIPTION	DATE	CH. NO.	DRAFTS	CHECKER	ENG. APP.
UNLESS OTHERWISE SPECIFIED:		SCALE: DO NOT SCALE				
DIMENSIONS ARE IN INCHES		MAXIMUM ALLOWABLE TOLERANCES HAVE BEEN DETERMINED AND ANY DEVIATIONS WILL BE CAUSE FOR REJECTION.				
TOLERANCES ON FRACTIONS ± 1/64 DECIMALS ± .05 ANGLES ± 1/20		REMOVE ALL BURRS AND SHARP EDGES				
		1	4FS-1			B-15-62
		REQ. PER UNIT	MODEL	SECTION	ASS'Y. NO.	DATE
		USED ON				