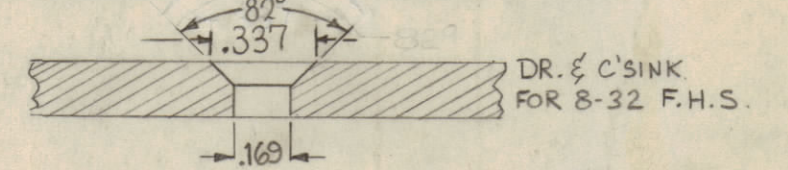


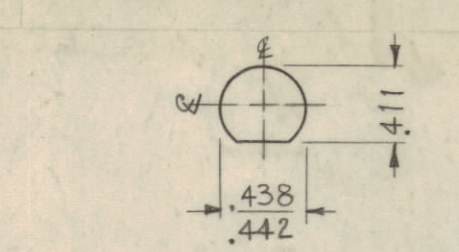
PROPERTY OF THE TECHNICAL MATERIEL CORPORATION
MAMARONECK, NEW YORK

THIS DRAWING IS THE PROPERTY OF THE TECHNICAL MATERIEL CORPORATION AND IS LOANED TO YOU FOR YOUR INFORMATION ONLY. IT IS NOT TO BE REPRODUCED OR COPIED IN ANY MANNER WITHOUT THE WRITTEN PERMISSION OF THE TECHNICAL MATERIEL CORPORATION. THIS DRAWING IS SUBJECT TO RECALL AT ANY TIME.

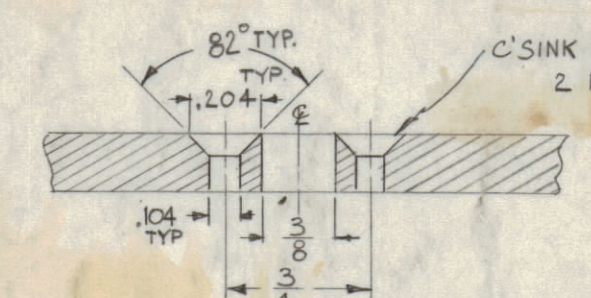
LEGEND			LEGEND		
HOLE	DESCRIPTION	REQ.	HOLE	DESCRIPTION	REQ.
A	3/16 DIA.	6	M	1/2 DIA.	1
B	1/4 DIA.	2			
C	1 DIA.	5			
D	.221-.224 DIA.	13			
E	SEE DETAIL	5			
F	SEE DETAIL	12			
G	SEE DETAIL	3			
H	SEE DETAIL	1			
J	.161-.164 DIA.	2			
K	1/8 DIA.	1			
L	SEE DETAIL	1			



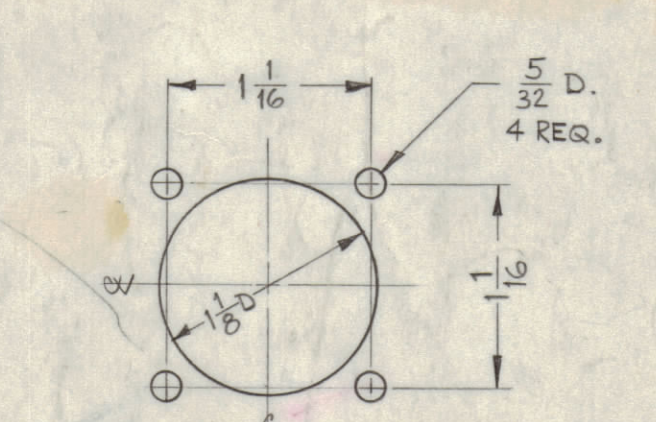
"E" DETAIL
5 REQ.



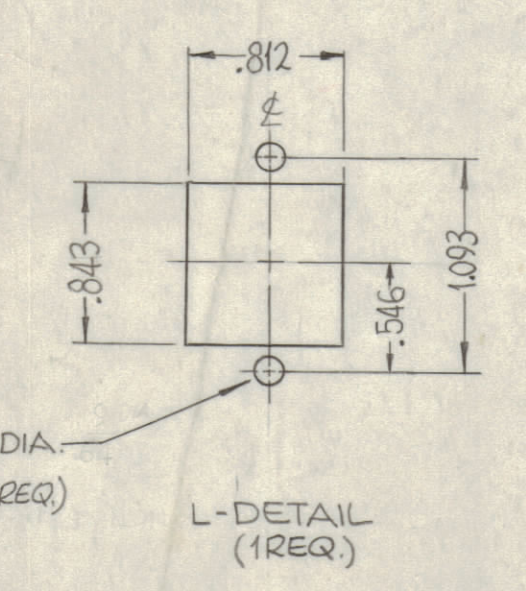
"F" DETAIL
13 REQ.



"G" DETAIL
3 REQ.



"H" DETAIL
1 REQ.



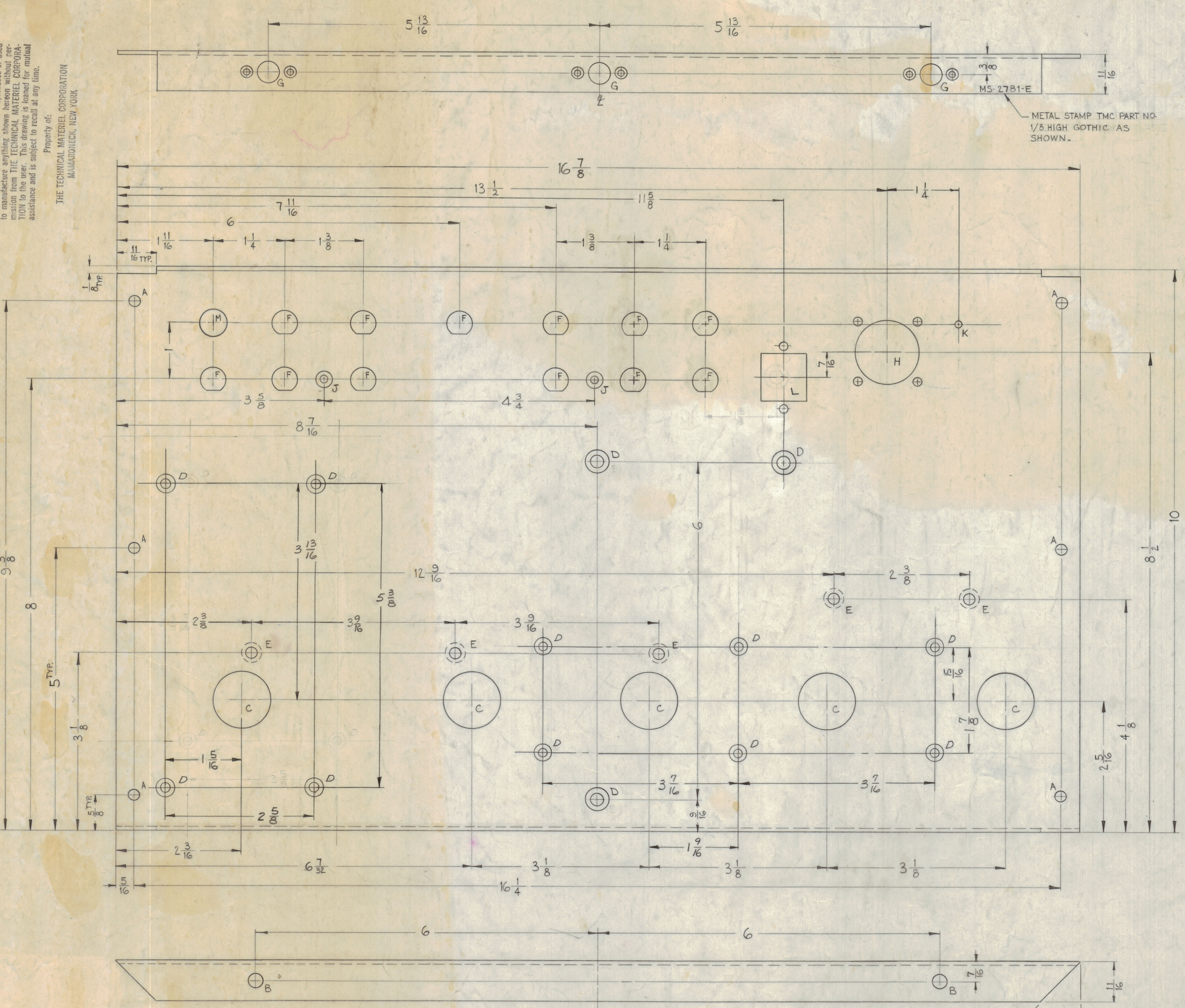
"L" DETAIL
(1 REQ.)

② MOUNT ITEM 2 IN ALL "J" HOLES AS SHOWN AFTER FINISHING.

① MOUNT ITEM 1 IN ALL "D" HOLES AS SHOWN AFTER FINISHING.

USE MATERIAL THICKNESS FOR MAX. RADIUS ON ALL BENDS UNLESS OTHERWISE SPECIFIED
REF: LD-1020 (4) 2 SHEETS

REQ.	ITEM	PART NO.	DESCRIPTION	SYMBOL
2	2	NT-129-440-4	NUT, ROUND, SWAGE TYPE	J
13	1	NT-129-832-4	NUT, ROUND, SWAGE TYPE	D
MATERIAL				
.081				
STOCK SIZE				
ALUMINUM				
MATERIAL				
5052-H32				
TYPE & TEMPER				
S404 YEL IRIDITE				
FINISH & SPEC. NO.				
ELEC. DES. APP. MECH. DES. APP. SHEET OF				



SYM	ZONE	DESCRIPTION	DATE	CH. NO.	DRAFTS	CHECKER	ENG. APP.
G		MTG NOTE 2 "J" WAS "E"	6-27-66	16468	WHO		
F		87" HOLE ADDED 1" DELETED	7-21-66	12009			
E		"E" DETAIL ADDED, 1" HOLE RELOCATED	7-21-66	12009			
D		(10) "D" HOLES ADDED TO PANEL ALSO ADDED 20" (D) HOLES TO CHANNEL BUNDLES	10-16-63	10187			
C		ADDED (1) "K" HOLE	7-23-63	9573			
B		(2) "J" HOLES WERE (2) "E" HOLES, LEGEND CLARIFIED	12-11-62	7822			
A		ITEM (2) "E" (2) "E" HOLES ADDED	11-13-62	7649			

UNLESS OTHERWISE SPECIFIED:
DIMENSIONS ARE IN INCHES
TOLERANCES ON FRACTIONS ± 1/64 DECIMALS ± .005 ANGLES ± 1/2°
SCALE DO NOT SCALE
MAXIMUM ALLOWABLE TOLERANCES HAVE BEEN DETERMINED AND ANY DEVIATIONS WILL BE CAUSE FOR REJECTION. REMOVE ALL BURRS & SHARP EDGES

REQ. PER UNIT	MODEL	SECTION	ASSY. NO.	DATE
1	HFS-1			8-15-62

MS-2781

A

G