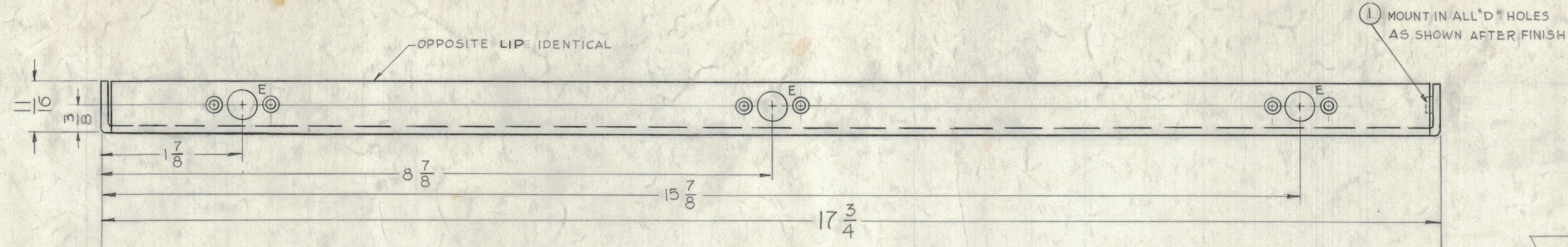


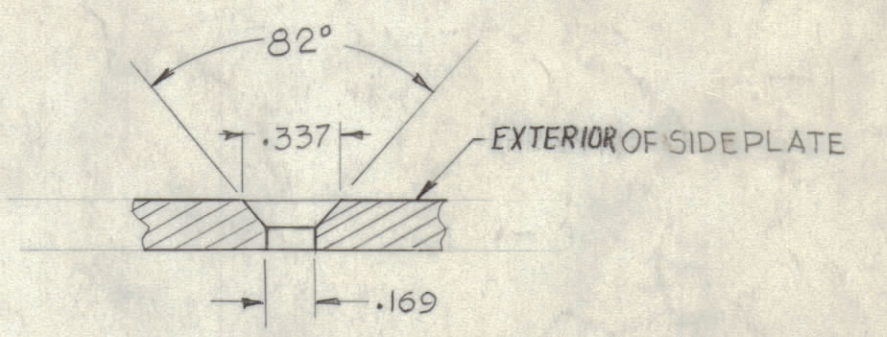
NOTICE TO PERSONS RECEIVING THIS DRAWING
 THE TECHNICAL MATERIEL CORPORATION claims
 proprietary right in the material disclosed herein.
 This drawing is issued in confidence for engineering
 information only and may not be reproduced or used
 for manufacture anything shown herein without per-
 mission from THE TECHNICAL MATERIEL CORPORA-
 TION to the user. This drawing is loaned for mutual
 assistance and is subject to recall at any time.

Property of:
 THE TECHNICAL MATERIEL CORPORATION
 MAMARONECK, NEW YORK

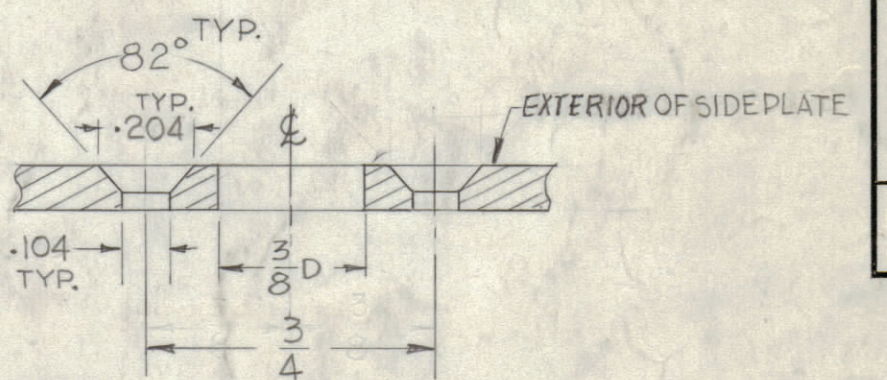


LEGEND		
HOLE	DESCRIPTION	REQ.
A	1 1/8 DIA.	7
B	SEE DETAIL	6
C	.250-.253 DIA.	1
D	.221-.224 DIA.	3
E	SEE DETAIL	6
F	13/64 DIA.	2
G	SEE DETAIL	4

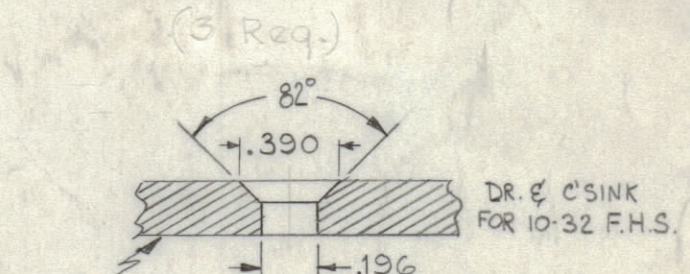
METAL STAMP TMC PART NO.
 1/8 HIGH GOTHIC AS SHOWN



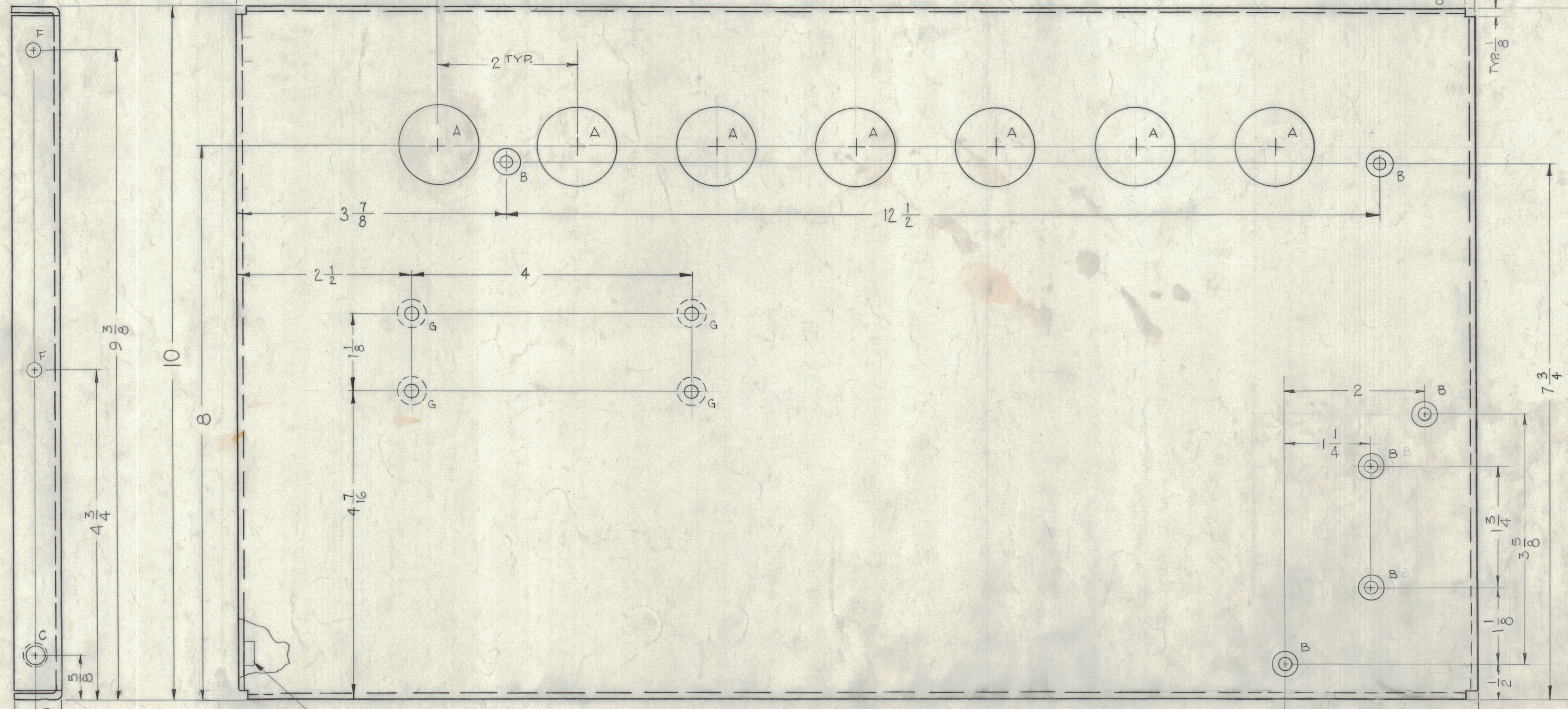
"B" DETAIL
 8-32 DRILL & C'SINK



"E" DETAIL



"G" DETAIL



MOUNT IN ALL "C" HOLES
 AS SHOWN AFTER FINISHING

USE MATERIAL THICKNESS FOR MAX. RADIUS
 ON ALL BENDS UNLESS OTHERWISE SPECIFIED

DECIMALS 1/4 ± .01 XX ± .01 XXX ± .005	TOLERANCES	FRACTIONS ± 1/64 ANGLES ± 0° 30'
---	------------	---

SYM	ZONE	DESCRIPTION	DATE	CH. NO.	DRAFTS	CHECKER	ENG. APP.
UNLESS OTHERWISE SPECIFIED: DIMENSIONS ARE IN INCHES			SCALE: DO NOT SCALE				
TOLERANCES ON FRACTIONS ± 1/64 DECIMALS ± .005 ANGLES ± 1/2°			MAXIMUM ALLOWABLE TOLERANCES HAVE BEEN DETERMINED AND ANY DEVIATIONS WILL BE CAUSE FOR REJECTION. REMOVE ALL BURRS & SHARP EDGES				

1	2	NT-129-1032-4	NUT ROUND, SWAGE TYPE	C
3	1	NT-129-832-4	NUT ROUND, SWAGE TYPE	D
REQ. ITEM	PART NO.	J. STRUMMER		SYMBOL
.081		THE TECHNICAL MATERIEL CORP. MAMARONECK, NEW YORK		
ALUMINIUM		PLATE, CHASSIS MOUNTING, RIGHT SIDE		
MATERIAL		5052-H32		
DRAWN		GDL		
TYPE & TEMPER		HEAT TREAT. SPEC.		
5404 YELLOW IRIDIUM		MS-2779		
FINISH & SPEC. NO.		ELEC. DES. APP. MECH. DES. APP. SHEET OF		

1	HFS-1	SECTION	ASS'Y. NO.	DATE	5052-H32	8-15-62
REQ. PER UNIT	MODEL	SECTION	ASS'Y. NO.	DATE	5052-H32	8-15-62
USED ON						

MS-2779