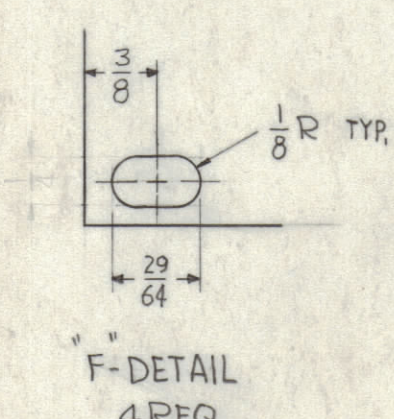
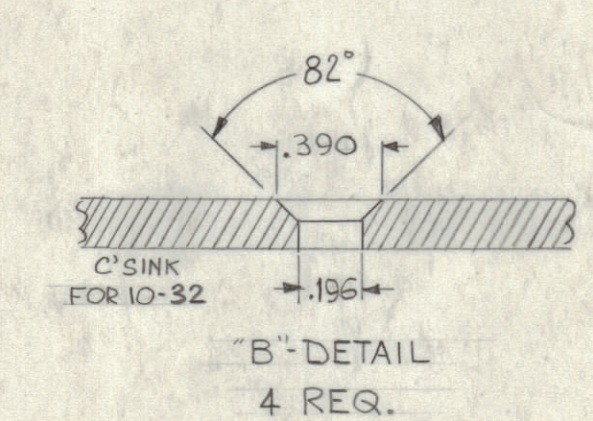
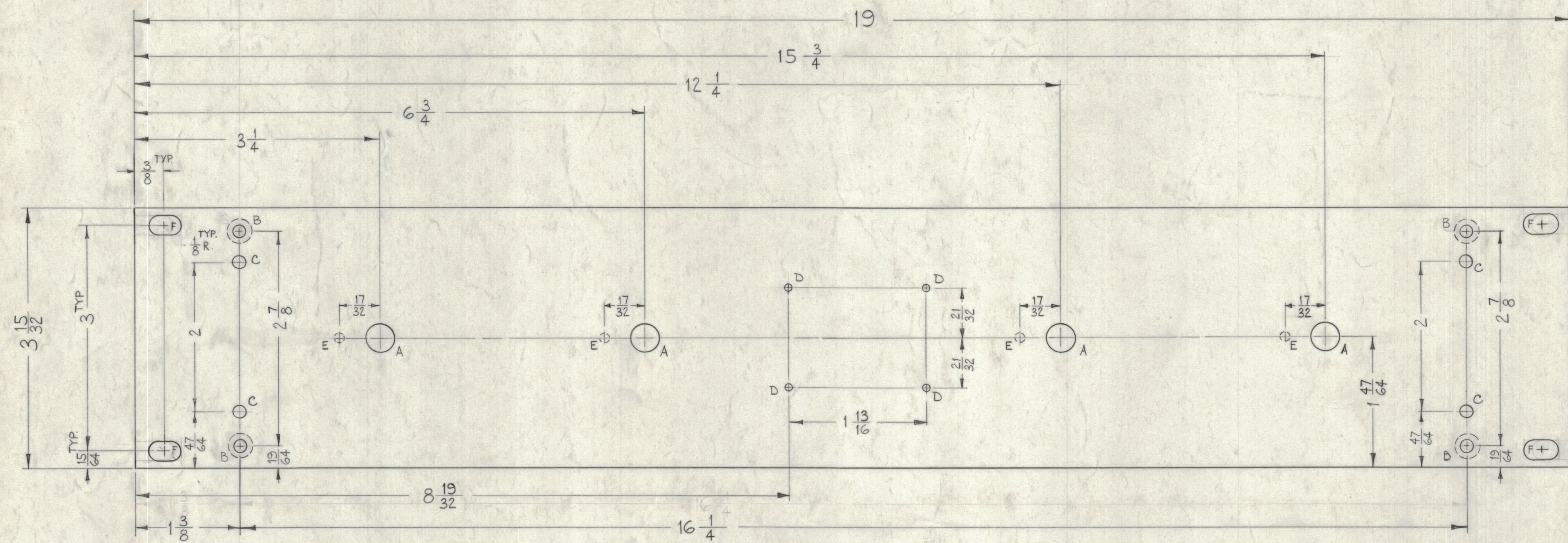


NOTICE TO PERSONS RECEIVING THIS DRAWING

THE TECHNICAL MATERIEL CORPORATION claims proprietary right in the material disclosed herein. This drawing is issued in confidence for engineering information only and may not be reproduced or used to manufacture anything shown herein without permission from THE TECHNICAL MATERIEL CORPORATION to the user. This drawing is loaned for mutual assistance and is subject to recall at any time.

Property of:
THE TECHNICAL MATERIEL CORPORATION
MAMARONECK, NEW YORK

LEGEND		
HOLE	DESCRIPTION	REQ.
A	13/32 DIA.	4
C	11/64 DIA.	4
D	.076 DIA.	4
E	1/8 DIA X 1/8 DP. ON REAR OF PANEL	4



MACHINING ~
 1~LATERAL BOW OF PANEL MUST BE KEPT TO .031 TOLERANCE.
 2~MILL ALL EDGES.
 3~HOLES MUST BE DRILLED.
 4~PANEL MUST BE FREE OF ALL MACHINING MARKS GOUGES & SCRATCHES.
 IF NECESSARY SAND FRONT OF PANEL WITH NO. 120 GRIT SANDPAPER.

FINISH ~
 S404 YELLOW IRIDITE.
 S114 ZINC CHROMATE PRIMER. FRONT &
 S115 TMC SMOOTH GREY ENAMEL. EDGES ONLY.

NOTICE TO PERSONS RECEIVING THIS DRAWING

THE TECHNICAL MATERIEL CORPORATION claims proprietary right in the material disclosed herein. This drawing is issued in confidence for engineering information only and may not be reproduced or used to manufacture anything shown herein without permission from THE TECHNICAL MATERIEL CORPORATION to the user. This drawing is loaned for mutual assistance and is subject to recall at any time.

Property of:
THE TECHNICAL MATERIEL CORPORATION
MAMARONECK, NEW YORK

UNLESS OTHERWISE SPECIFIED	
DECIMALS	FRACTIONS
± .05	± 1/64
± .01	± 1/32
± .005	± 1/64

BYM	ZONE	DESCRIPTION	DATE	CH. NO.	DRAFTS	CHECKER	ENG. APP.
A	G2	13/32 WAS 3/8 HOLES FROM 1961	3-19-64	11061	A.M.	@	Jed

UNLESS OTHERWISE SPECIFIED:
DIMENSIONS ARE IN INCHES
TOLERANCES ON
FRACTIONS ± 1/64 DECIMALS ± .005 ANGLES ± 1/2°

SCALE (DO NOT SCALE)
MAXIMUM ALLOWABLE TOLERANCES HAVE BEEN DETERMINED AND ANY DEVIATIONS WILL BE CAUSE FOR REJECTION. REMOVE ALL BURRS & SHARP EDGES

REF: LD-1019 (8)

REQ. ITEM	PART NO.	DESCRIPTION	SYMBOL
1	3/16	ALUMINUM	
		THE TECHNICAL MATERIEL CORP. MAMARONECK, NEW YORK	
		MACHINING, FRONT PANEL	
MATERIAL			
1	HAF-1	2024-T3	
REQ. PER UNIT	MODEL	SECTION	ASS'Y. NO.
			DATE
		USED ON	
		FINISH & SPEC. NO.	
		ELEC. DES. APP.	MECH. DES. APP.
		SHEET	OF

MS-2778 A