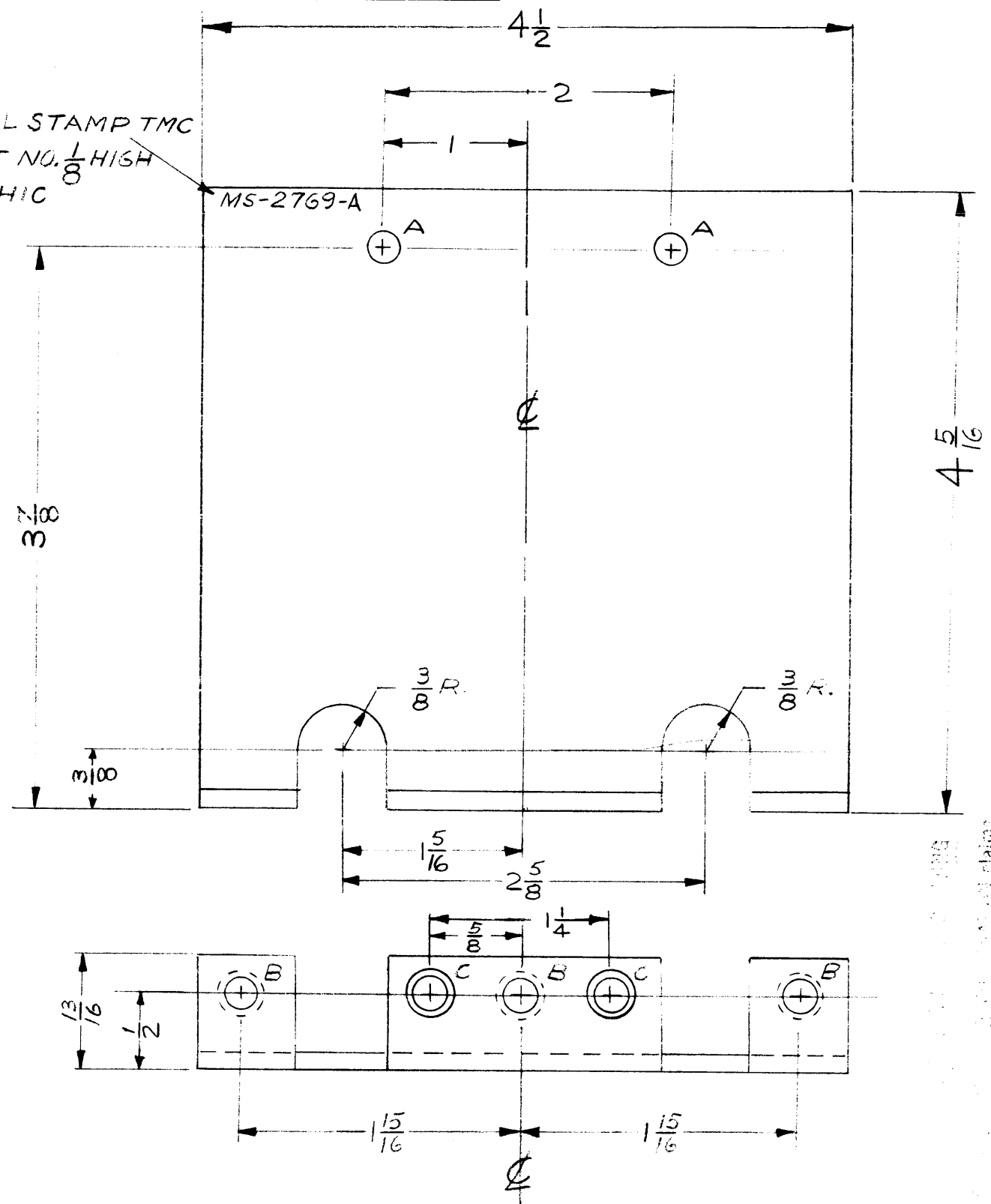


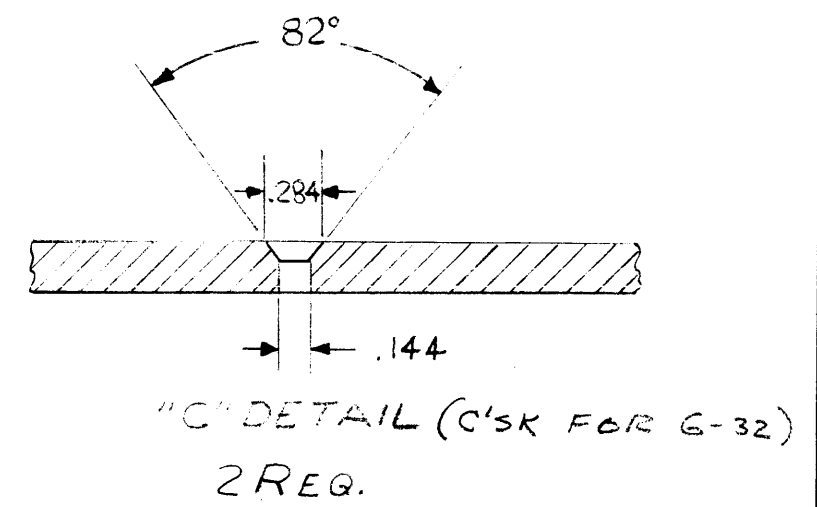
MS-2769 A

THE CONTENTS OF THIS DRAWING ARE THE EXCLUSIVE PROPERTY OF THE TECHNICAL MATERIEL CORP. ITS UNAUTHORIZED USE OR REPRODUCTION IN WHOLE OR IN PART IS STRICTLY FORBIDDEN.

METAL STAMP TMC
PART NO. 1/8 HIGH
GOTHIC



LEGEND		
HOLE	DESCRIPTION	REQ.
A	13/64 DIA.	2
B	.221-.224 DIA.	



MOUNT ITEM 1 IN ALL "B" HOLES AS SHOWN AFTER FINISHING.

Property of:
THE TECHNICAL MATERIEL CORPORATION
MAMARONECK, NEW YORK

THIS DRAWING IS THE PROPERTY OF THE TECHNICAL MATERIEL CORPORATION AND IS LOANED TO THE USER FOR HIS USE ONLY. IT IS NOT TO BE REPRODUCED OR COPIED IN ANY MANNER WITHOUT THE WRITTEN PERMISSION OF THE TECHNICAL MATERIEL CORPORATION. THE USER SHALL BE RESPONSIBLE FOR THE PROTECTION AND SECURITY OF THIS DRAWING AND IS SUBJECT TO RECALL AT ANY TIME.

USE MATERIAL THICKNESS FOR MAX. RADIUS ON ALL BENDS UNLESS OTHERWISE SPECIFIED

MOUNT INSERTS AFTER FINISHING

3	1	NT-129-832-4	NUT, ROUND, SWAGE TYPE	B
REQ.	ITEM	PART NO.	DESCRIPTION	SYMBOL
		.081	THE TECHNICAL MATERIEL CORP. MAMARONECK, NEW YORK	
		ALUMINUM	BRACKET, CABLE MTG.	
		5052-H32	C.A.	
		5404 YEL. IRIDITE	RK	
			RK	
			MS-2769	A

A	3/8 WAS 5/8; 1-5/16 WAS 1-3/8; 2-5/8 WAS 2-3/4	10-4-62	7285	ES		
SYM	DESCRIPTION	DATE	CH. NO.	DRAFTS	CHECKER	ENG. APP.
	UNLESS OTHERWISE SPECIFIED: DIMENSIONS ARE IN INCHES TOLERANCES ON FRACTIONS ± 1/64 DECIMALS ± .005 ANGLES ± 1/2°					
	SCALE: DO NOT SCALE					
	MAXIMUM ALLOWABLE TOLERANCES HAVE BEEN DETERMINED AND ANY DEVIATIONS WILL BE CAUSE FOR REJECTION. REMOVE ALL BURRS AND SHARP EDGES					
		HFP-1				
		MODEL	SECTION	ASS'Y. NO.	DATE	