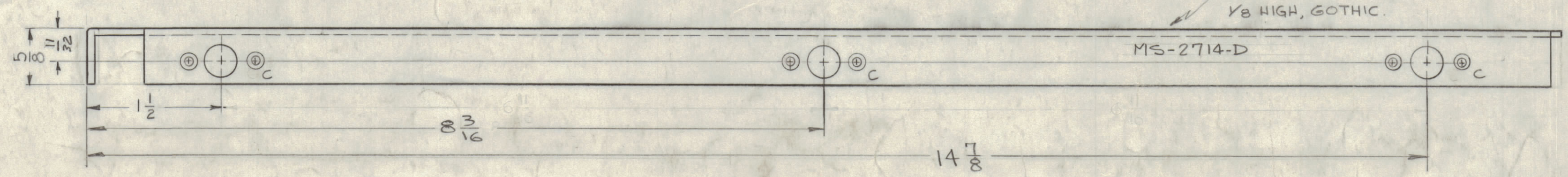
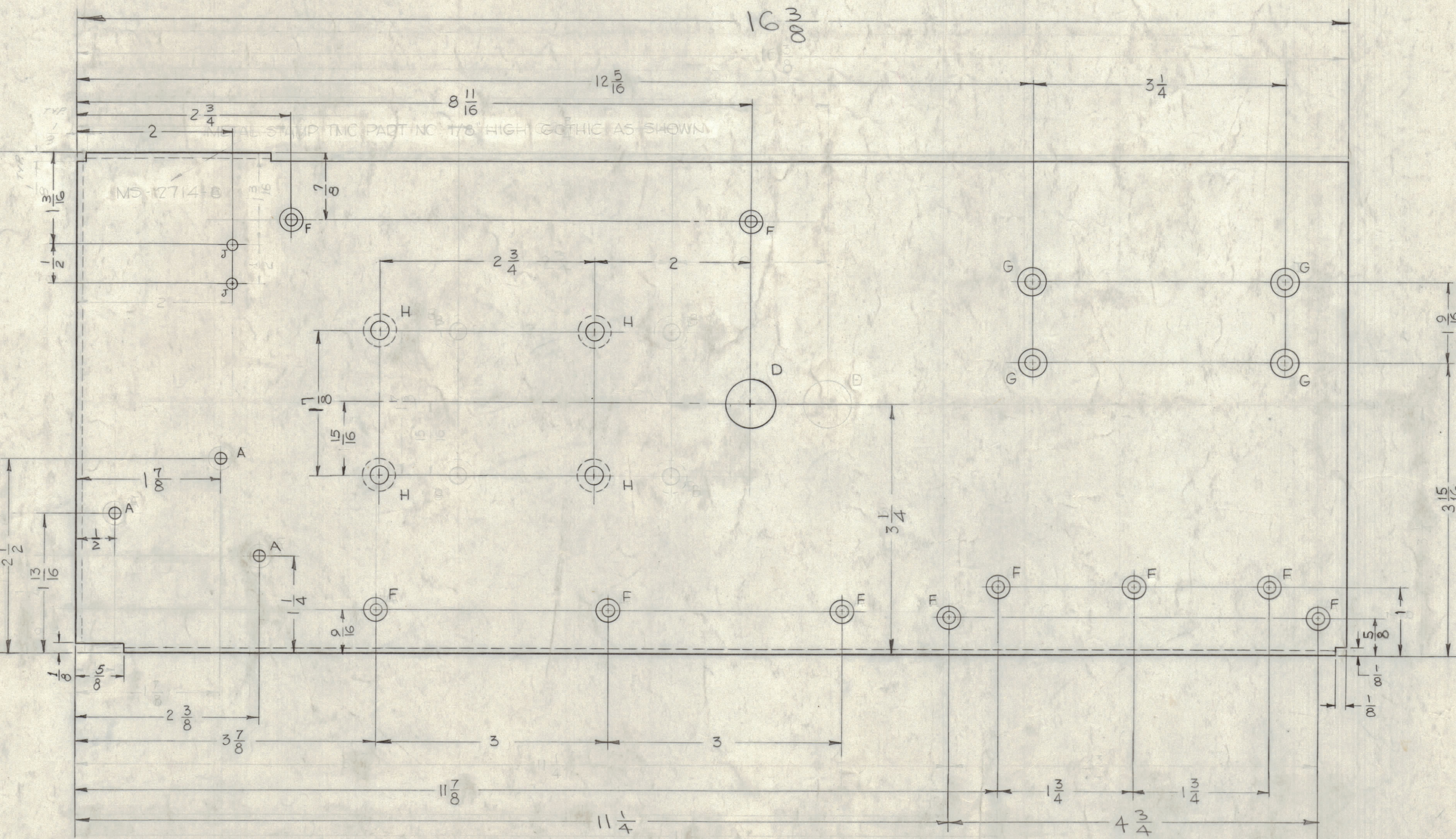
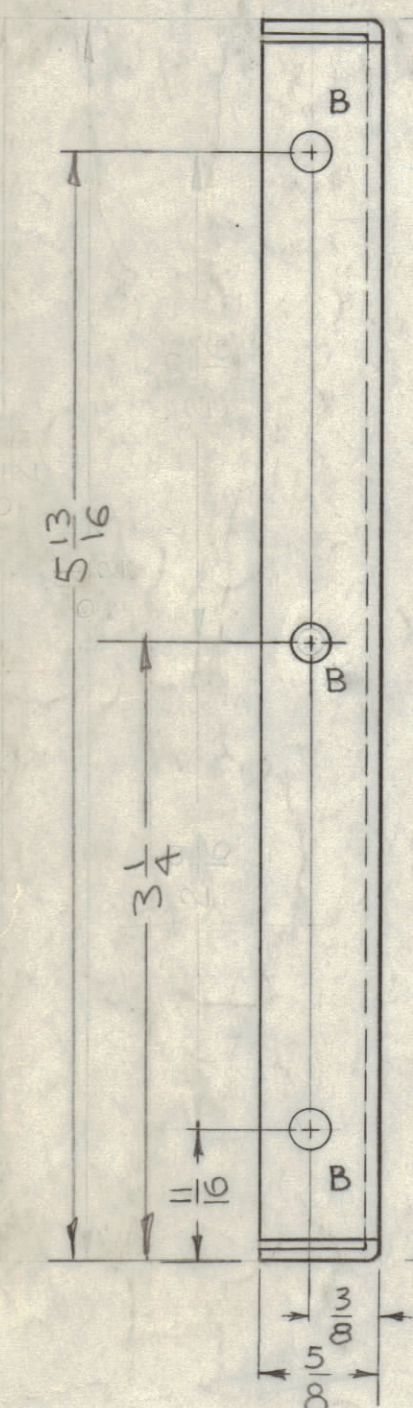


NOTICE TO PERSONS RECEIVING THIS DRAWING

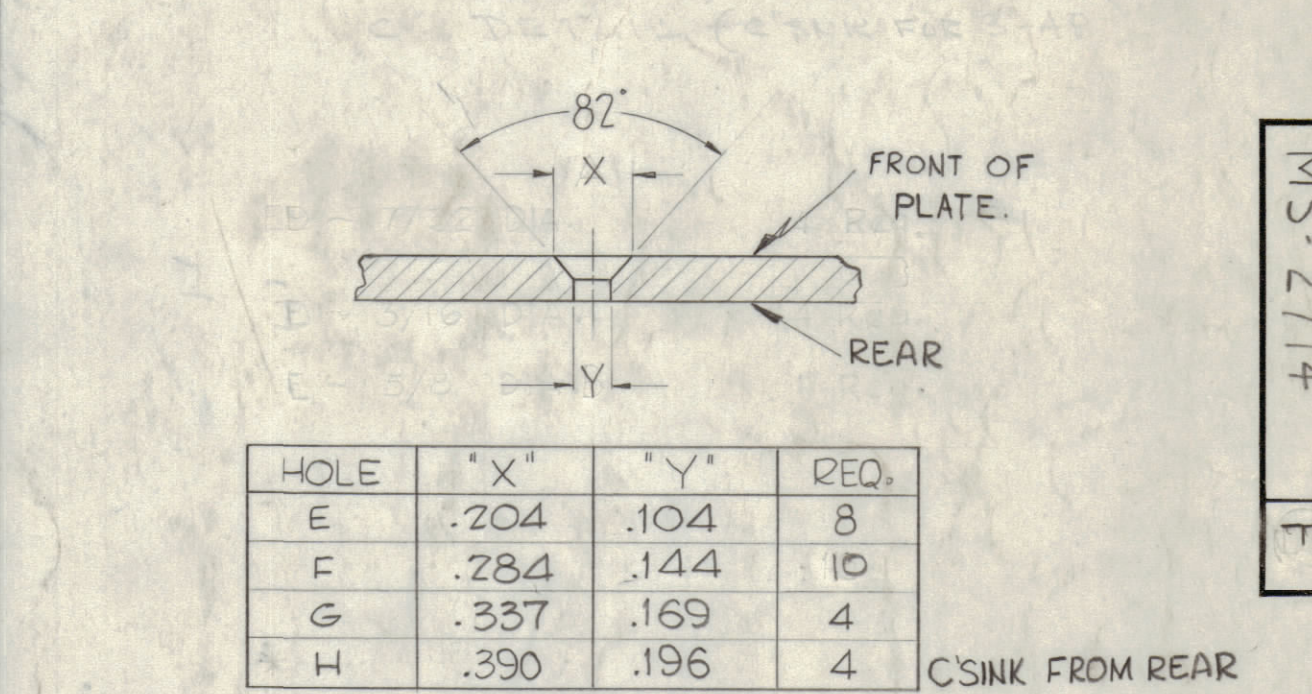
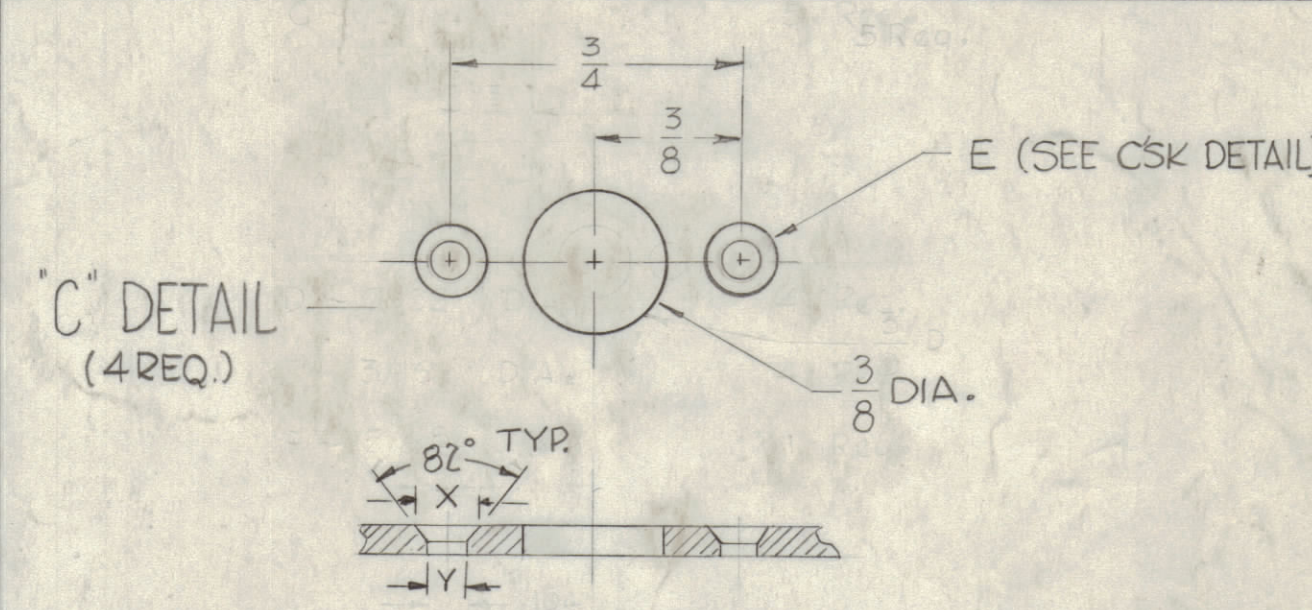
THE TECHNICAL MATERIEL CORPORATION claims proprietary right in the material disclosed hereon. This drawing is issued in confidence for engineering information only and may not be reproduced or used to manufacture anything shown hereon without permission from THE TECHNICAL MATERIEL CORPORATION to the user. This drawing is loaned for mutual assistance and is subject to recall at any time.

Property of:
THE TECHNICAL MATERIEL CORPORATION
MAMARONECK, NEW YORK



HOLES

- A - 5/32 DIA. 3 REQ.
- B - 7/32 DIA. 3 REQ.
- C - SEE DETAIL 4 REQ.
- D - 3/4 DIA. 1 REQ.
- E - P/O DETAIL "C"
- F - SEE COUNTERSINK DETAIL. C SINK FROM FRONT OF PLATE.
- G - SEE COUNTERSINK DETAIL. C SINK FROM REAR OF PLATE.
- H - 1/8 DIA. 2 REQ.



HOLE	"X"	"Y"	REQ.
E	.204	.104	8
F	.284	.144	10
G	.337	.169	4
H	.390	.196	4

C/SINK FROM REAR

USE MATERIAL THICKNESS FOR MAX. RADIUS ON ALL BENDS UNLESS OTHERWISE SPECIFIED

UNLESS OTHERWISE SPECIFIED DIMENSIONS ARE IN INCHES AND INCLUDE CHEMICALLY APPLIED OR PLATED FINISHES	
DECIMALS	FRACTIONS
± .05	± 1/64
± .01	± .005

REV.	ZONE	DESCRIPTION	DATE	CH. NO.	DRAFTS	CHECKER	ENG. APP.
F	E11	B HOLE WAS AN A HOLE	12-2-64	113011	g.e.	g.d.	
E	C4	1/8 X 1/8 NOTCH ADDED	10/16/65	10192	g.e.	g.d.	
D	D2	(2) .1" HOLES ADDED	2-15-63	8261	g.e.	g.d.	
C	G3	D HOLE WERE 5/8 DIA.	1-15-62	8184	g.e.	g.d.	
B	E-B-BW	CUT HOLES ADDED - 1/8 X 5/8 LIP CUTOUT ADDED (AT CORNER)	12-9-61	6037	g.g.	g.d.	
A	F-2	DIM. 3 11/16 WAS 3 11/16	11-16-61	5920	g.d.l.	g.d.	

UNLESS OTHERWISE SPECIFIED:
DIMENSIONS ARE IN INCHES
TOLERANCES ON
FRACTIONS ± 1/64
DECIMALS ± .005
ANGLES ± 1/2°

SCALE
MAXIMUM ALLOWABLE TOLERANCES HAVE BEEN DETERMINED AND ANY DEVIATIONS WILL BE CAUSE FOR REJECTION.
REMOVE ALL BURRS & SHARP EDGES

REQ. PER UNIT	MODEL	SECTION	ASS'Y. NO.	DATE
1	SBS-1			10-14-61

REQ. ITEM	PART NO.	DESCRIPTION	SYMBOL
	.081	THE TECHNICAL MATERIEL CORP. MAMARONECK, NEW YORK	
		ALUMINUM	
		5052-H32	
		TYPE & TEMPER	
		HEAT TREAT. SPEC.	
		3A64 YELLOW IRIDITE	
		FINISH & SPEC. NO.	

MS-2714

A

1