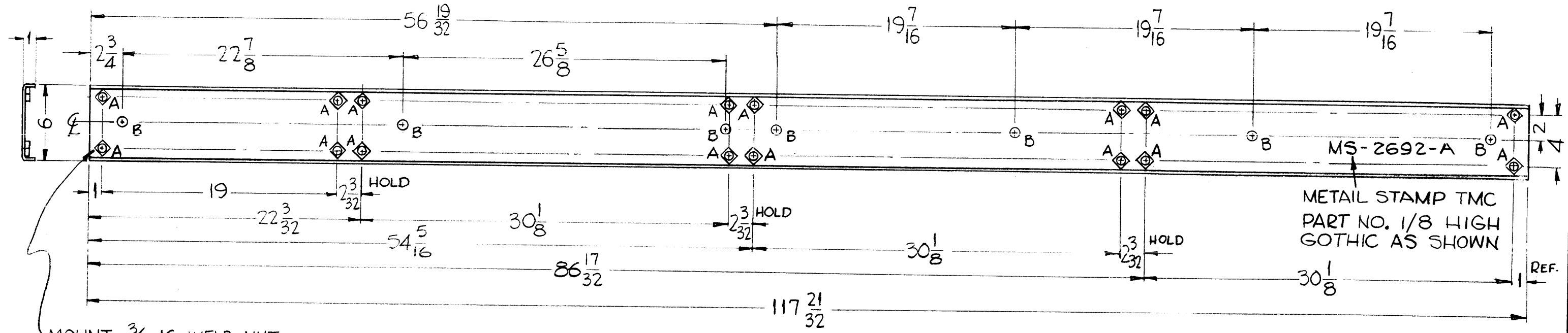


MS-2692 A

THE CONTENTS OF THIS DRAWING ARE THE EXCLUSIVE PROPERTY OF THE TECHNICAL MATERIEL CORP. ITS UNAUTHORIZED USE OR REPRODUCTION IN WHOLE OR IN PART IS STRICTLY FORBIDDEN.

HOLE	DESCRIPTION	REQ.
A	7/16 DIA.	16
B	3/4 DIA.	7



MOUNT 3/8-16 WELD NUT IN "A" HOLES AS SHOWN.

MS-2692-A
METAL STAMP TMC
PART NO. 1/8 HIGH
GOTHIC AS SHOWN

USE MATERIAL THICKNESS FOR MAX. RADIUS ON ALL BENDS UNLESS OTHERWISE SPECIFIED

MOUNT INSERTS AFTER FINISHING

PROPERTY OF THE TECHNICAL MATERIEL CORP. THIS DRAWING IS LOANED TO YOU BY THE TECHNICAL MATERIEL CORP. IT IS NOT TO BE REPRODUCED OR COPIED IN ANY MANNER WITHOUT THE WRITTEN PERMISSION OF THE TECHNICAL MATERIEL CORP. THIS DRAWING IS NOT TO BE USED FOR ANY OTHER PURPOSES AND IS SUBJECT TO RECALL AT ANY TIME.

Property of:
THE TECHNICAL MATERIEL CORPORATION
120 WOODLAND AVE. NEW YORK, N.Y.

SYM	DESCRIPTION	DATE	CH. NO.	DRAFTS	CHECKER	ENG. APP.
A	FINISH & SPEC. ADDED	9-28-62	7349	E.S.	Y.S.	M.S.

UNLESS OTHERWISE SPECIFIED:
DIMENSIONS ARE IN INCHES
TOLERANCES ON FRACTIONS ± 1/64 DECIMALS ± .005 ANGLES ± 1/2°

SCALE: DO NOT SCALE
MAXIMUM ALLOWABLE TOLERANCES HAVE BEEN DETERMINED AND ANY DEVIATIONS WILL BE CAUSE FOR REJECTION.
REMOVE ALL BURRS AND SHARP EDGES

REQ. PER UNIT	MODEL	SECTION	ASS'Y. NO.	DATE
3	GPT-40K			1-2-62

USED ON

REQ.	ITEM	PART NO.	DESCRIPTION	SYMBOL
	3/16 THK.		THE TECHNICAL MATERIEL CORP. MAMARONECK, NEW YORK	
	FORMED STEEL		CHANNEL, SHOCK	
	COLD ROLLED			
	5-520 BLUE GREY TEXTURED VINYL PAINT			
			D.J. Mann	R. Luzzo
			Drawn	Checked
				FINAL APPROVAL
				MS-2692 A