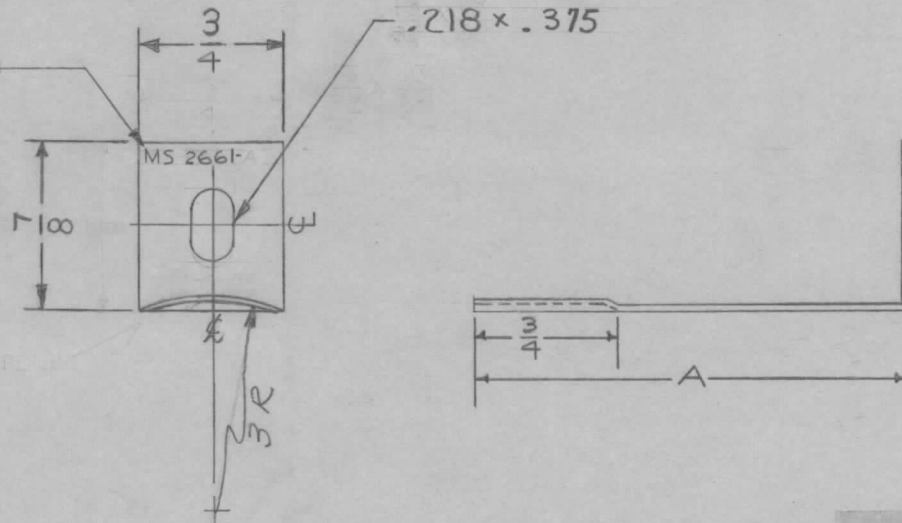


TMC PT. NO.	"A"	USED ON	REQ
MS-2661-1	1 $\frac{1}{4}$	TER-25K/50	24
MS-2661-2	2 $\frac{1}{4}$	TER-25K/50	24
MS-2661-3	1 $\frac{5}{8}$	TER-25K/50	24

REQ. PER. UNIT	USED ON		
	MODEL	ASS'Y. NO.	DATE
			9-16-61

MS-2661 B

METAL STAMP TMC PART NO.  $\frac{1}{8}$ " HIGH GOTHIC, W/LATEST REV. LETTER.



UNLESS OTHERWISE SPECIFIED DIMENSIONS ARE IN INCHES AND INCLUDE CHEMICALLY APPLIED OR PLATED FINISHES		
DECIMALS	TOLERANCES	FRACTIONS
.X ± .05		± 1/64
.XX ± .01		ANGLES
.XXX ± .005		± 0° 30'

CUT HERE GUARANTEED 2-66

REQ.	ITEM	PART NO.	DESCRIPTION	SYMBOL
		.040 THK.	THE TECHNICAL MATERIEL CORP. MAMARONECK, NEW YORK	STRAP, RESISTOR, CONTACT
		STOCK SIZE		
		COPPER		
		MATERIAL		
		HALF-HARD	LL	ab
		TYPE & TEMPER	S-245 .0003 SILVER PLATE	QA
		HEAT TREAT. SPEC.		RR
		FINISH & SPEC. NO.		MS 2661
			ELEC. DES. APP	MECH. DES. APP
				B

B ADDED MS2661-3 12-7-66 17393 RME [Signature]  
 A 1 SLOT WAS  $\frac{13}{32} \times \frac{13}{64}$  8-14-62 7063 G.S. [Signature]  
 TOLERANCES SCALE:  
 DEC. DIM. ± MAXIMUM ALLOWABLE TOLERANCES HAVE BEEN DETERMINED AND ANY DEVIATIONS WILL BE CAUSE FOR REJECTION.  
 FRAC. DIM. ± REMOVE ALL BURRS AND SHARP EDGES  
 ANGULAR DIM. ±