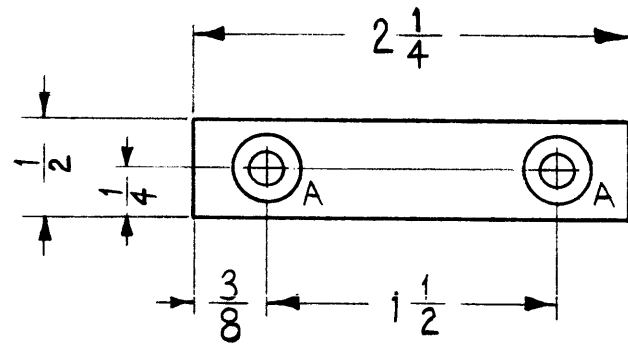
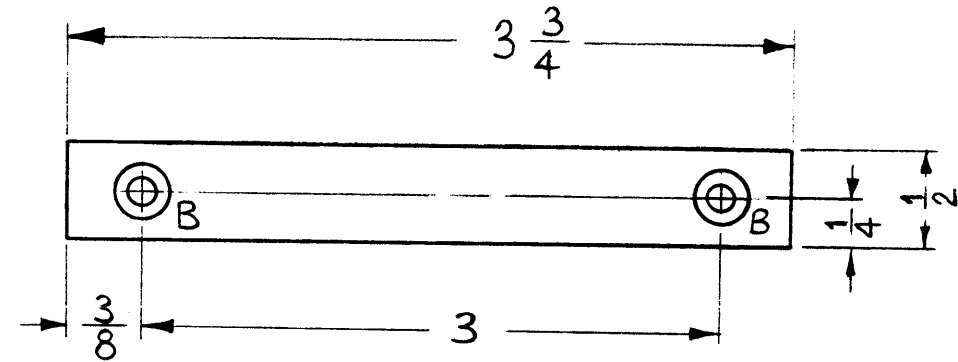
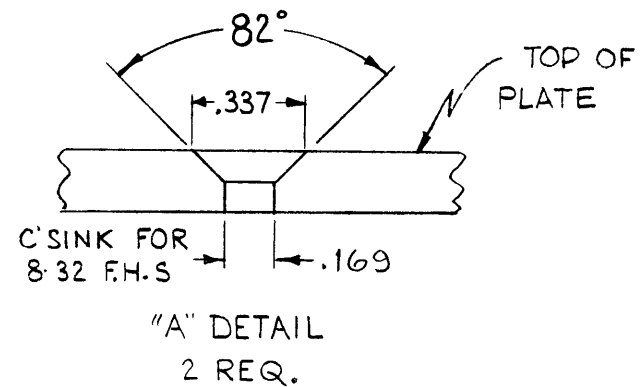


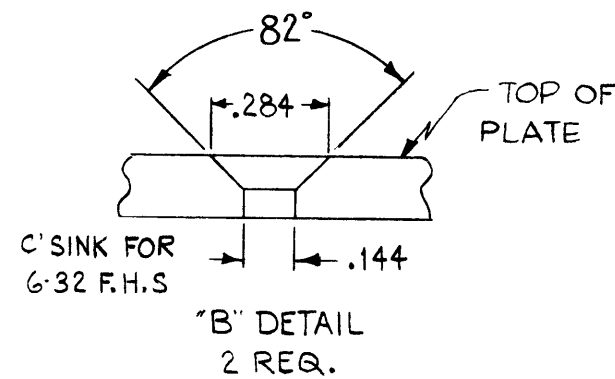
MS-2584



RIGHT SIDE
1 PER UNIT
MS-2584-1



LEFT SIDE
1 PER UNIT
MS-2584-2



LOANED TO PERSONS RECEIVING THIS DRAWING

THE TECHNICAL MATERIEL CORPORATION claims proprietary right in the material disclosed hereon. This drawing is issued in confidence for engineering information only and may not be reproduced or used to manufacture anything shown hereon without permission from THE TECHNICAL MATERIEL CORPORATION to the user. This drawing is loaned for mutual assistance and is subject to recall at any time.

Property of:
THE TECHNICAL MATERIEL CORPORATION
MAMARONECK, NEW YORK

SYM	DESCRIPTION	DATE	CH. NO.	DRAFTS	CHECKER	ENG. APP.
UNLESS OTHERWISE SPECIFIED:						
DIMENSIONS ARE IN INCHES						
TOLERANCES ON FRACTIONS ± 1/64 DECIMALS ± .005 ANGLES ± 1/2°						
SCALE: (DO NOT SCALE)						
MAXIMUM ALLOWABLE TOLERANCES HAVE BEEN DETERMINED AND ANY DEVIATIONS WILL BE CAUSE FOR REJECTION. REMOVE ALL BURRS AND SHARP EDGES						

REQ. PER UNIT	MODEL	SECTION	ASS'Y. NO.	DATE
1 EA.	CHG-2	MAIN		5-23-61
1 EA.	CHG-1	MAIN		5-23-61
USED ON				

REQ. ITEM	PART NO.	DESCRIPTION	SYMBOL
	.064	THE TECHNICAL MATERIEL CORP.	
	STOCK SIZE	MAMARONECK, NEW YORK	
	ALUMINUM	SHIM, SLIDE	
	MATERIAL		
5052-H32		W.A.F.	J.C.B.
TYPE & TEMPER	HEAT TREAT. SPEC.	DRAWN	CHECKER
S404-YELLOW IRIDITE		S.D.	M.B.
FINISH & SPEC. NO.		ELEC. DES. APP.	MECH. DES. APP.
			MS-2584