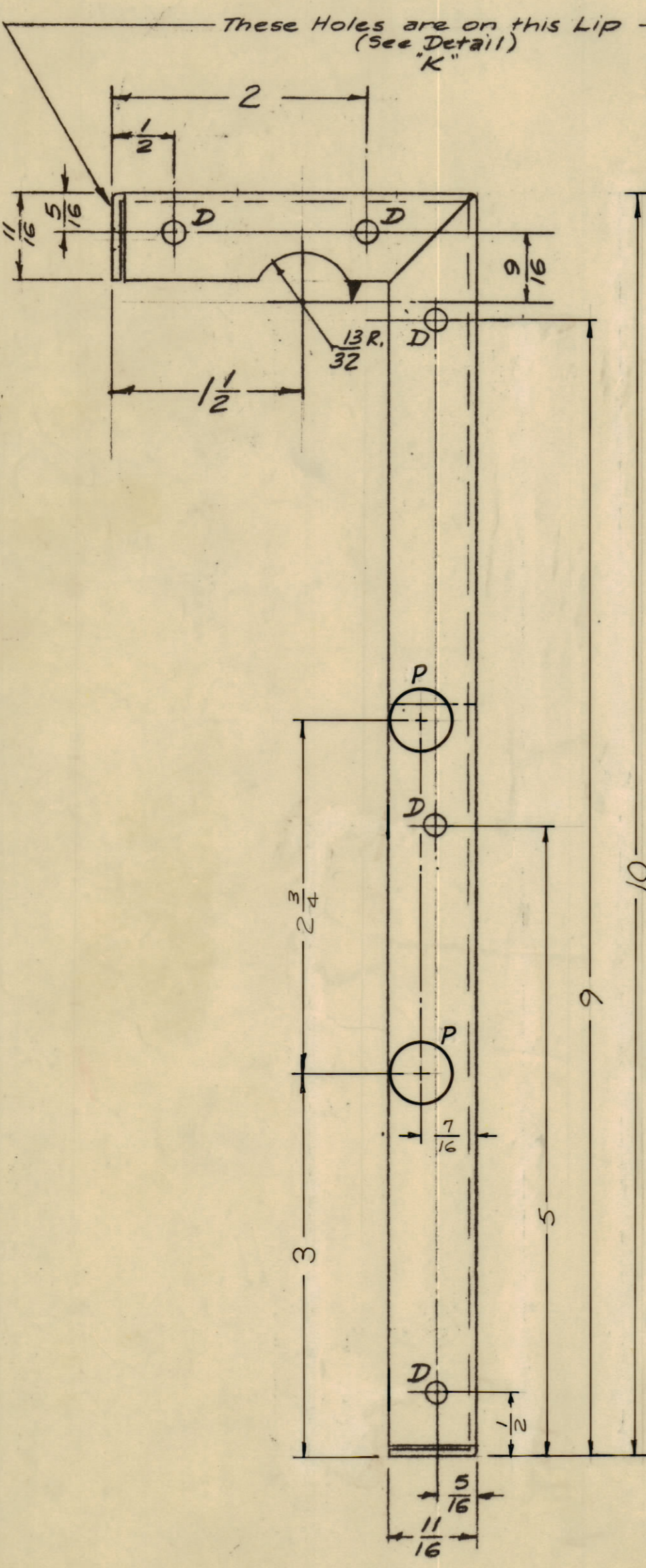
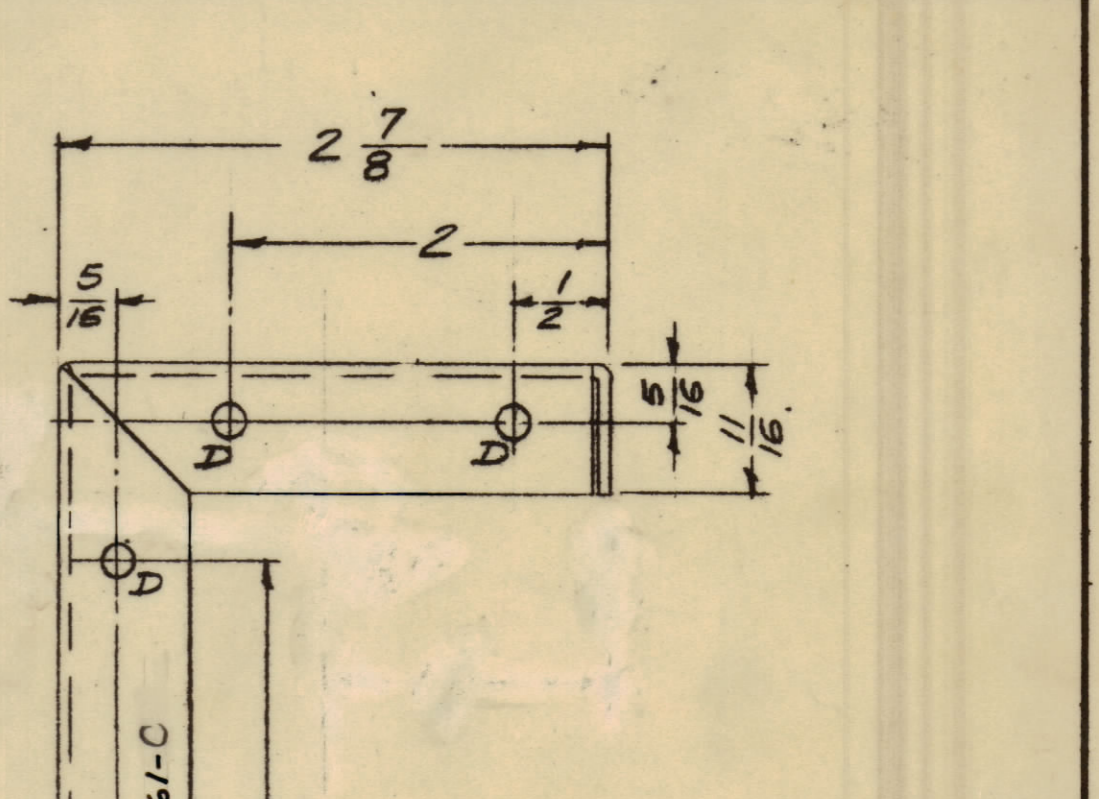
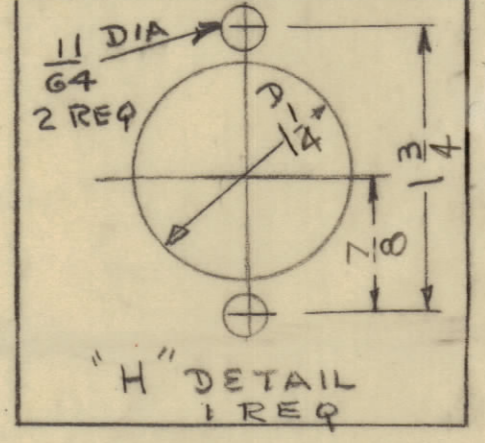
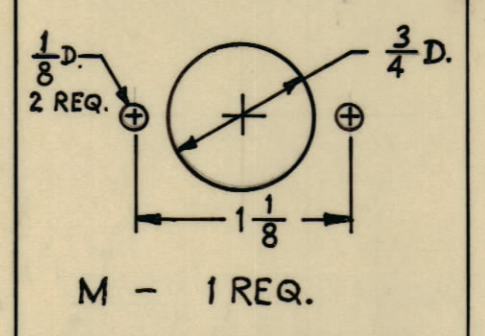
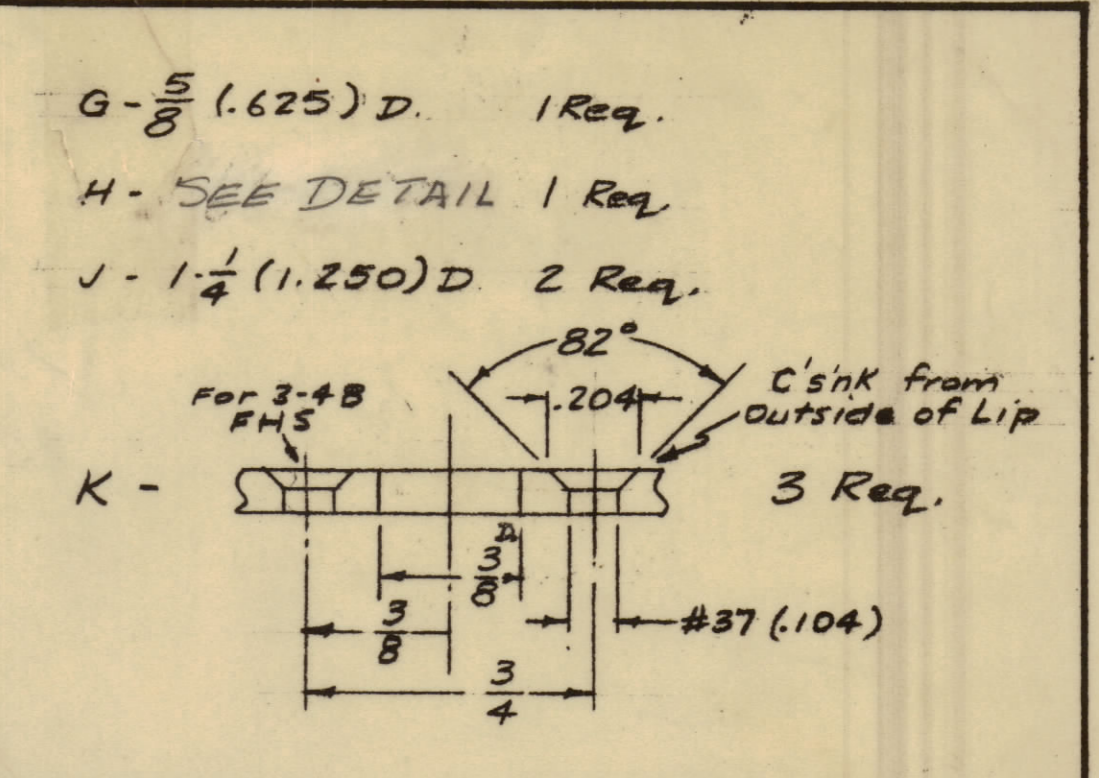
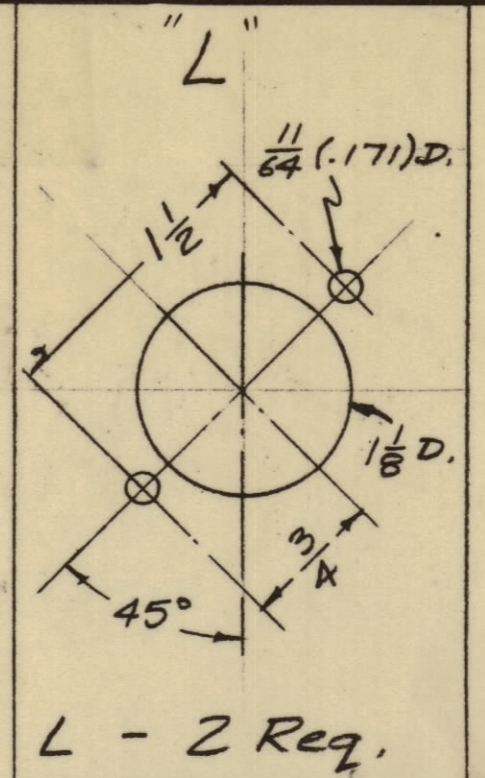
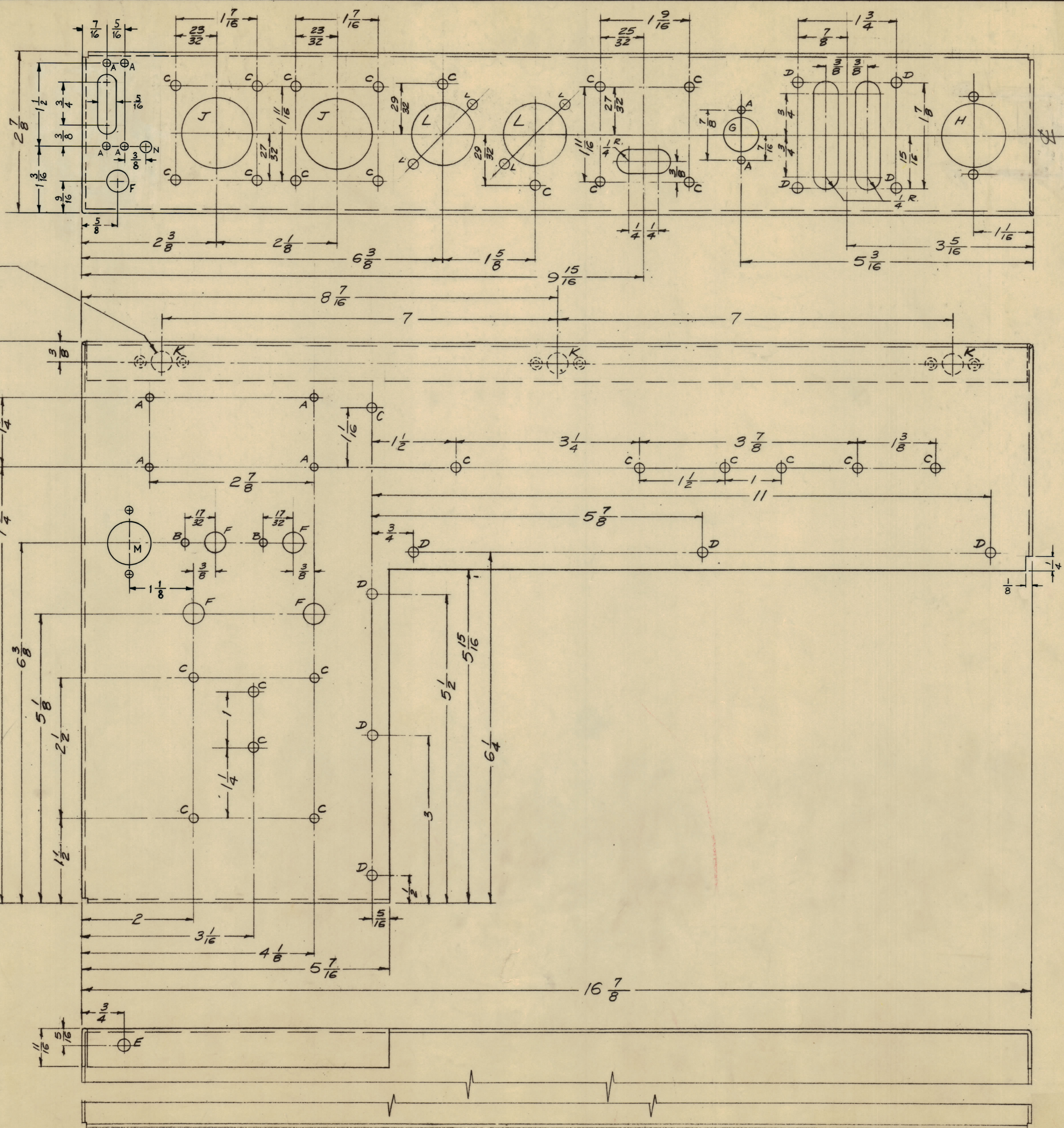


IF IT IS FOUND DESIRABLE TO CHANGE ANY TOLERANCE OR OTHER DETAIL SPECIFIED ON THIS DRAWING NOTIFY THE PURCHASER PROMPTLY.
 MAXIMUM ALLOWABLE TOLERANCES HAVE BEEN DETERMINED AND DEVIATIONS WILL BE CAUSE FOR REJECTION. REMOVE ALL BURRS AND SHARP EDGES

- A - $\frac{1}{8}$ (.125) D. 10 Req.
- B - $\frac{9}{64}$ (.140) D. 2 Req.
- C - $\frac{1}{4}$ (.171) D. 27 Req.
- D - $\frac{13}{64}$ (.203) D. 19 Req.
- E - $\frac{7}{32}$ (.218) D. 1 Req.
- F - $\frac{3}{8}$ (.375) D. 5 Req.
- N - $\frac{3}{16}$ DIA. 1 REQ.
- P - $\frac{1}{2}$ DIA. 2 REQ.



ISSUE	ITEM	CHANGED FROM	DATE	CN. NO.	DRAFTS	CHECKER	ENG. APP.
D	1	DIM ON 'H' DET. REVISED	4-13-61	18099	W.H.		
C	1	(2) 'P' WERE (2) 'M' HOLES	12-5-60	7775	W.H.		
B	1	(2) 'M' HOLES ADDED TO L. SIDE VIEW	10-10-60	7395	W.H.		
A	1	NOTCH ADDED TO FRONT (RIGHT SIDE)					
A	1	NOTCH DELETED (RIGHT VIEW, TOP)	12-5-60	6947	W.H.		

SCALE: Full - Do Not Scale

ALL	DEC. DIM. \pm	DRILL PUNCH, COMMERCIAL STOCK SIZES AND MANUFACTURERS TOLERANCES ARE NOT INCLUDED.
OTHERS	FRAC. DIM. \pm 1/64	
	ANGULAR DIM. \pm	

1	TTG-2	PROJECT NO.	DATE	5-12-61
REQ PER UNIT	MODEL	ASSY. NO.	DATE	

Ref: BLD-917 Lettering

REQ. ITEM	PART NO.	DESCRIPTION	SYMBOL
.064 THK.		THE TECHNICAL MATERIEL CORP.	
STOCK SIZE		MAMARONECK, NEW YORK	
Aluminum		CHASSIS, MAIN	
MATERIAL	WEIGHT PER PC.		
5052-H32			
TYPE & TEMPER			
HEAT TREAT. SPEC.			
5404 IRIDITE			
FINISH & SPEC. NO.			

MS-2561 D

MS-2561 D