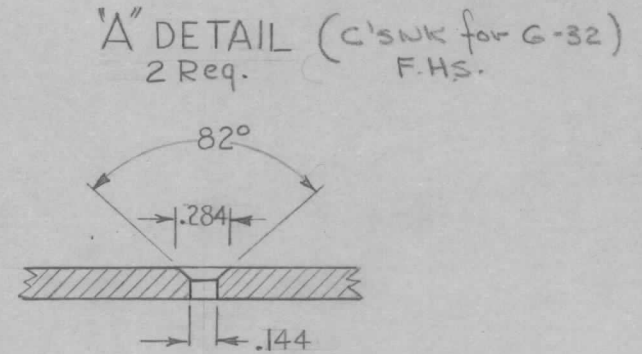
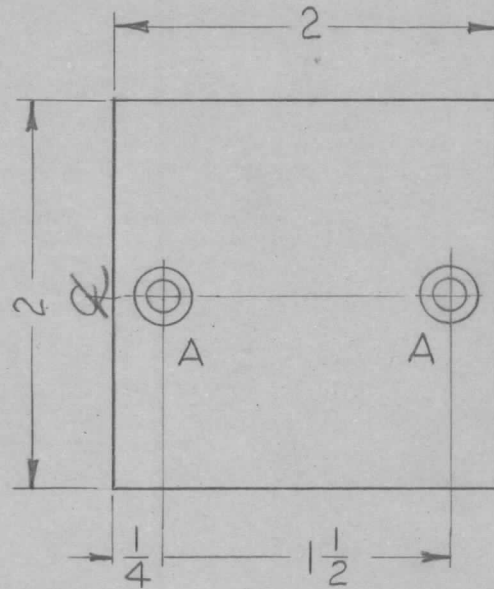


REQ. PER UNIT	USED ON			MS-2508
	MODEL	ASS'Y. NO.	DATE	
2	RFD-1		1-12-61	



UNLESS OTHERWISE SPECIFIED
DIMENSIONS ARE IN INCHES AND INCLUDE
CHEMICALLY APPLIED OR PLATED FINISHES

DECIMALS	TOLERANCES	FRACTIONS
.X ± .05		± 1/64
.XX ± .01		ANGLES
.XXX ± .005		± 0° 30'

CUT HERE
GUARANTEED
2-66

ISSUE	ITEM	CHANGED FROM	DATE	CH. NO.	DRAFTS	CHECKER	ENG. APP.	REQ.	ITEM	PART NO.	DESCRIPTION	SYMBOL
										.064	THE TECHNICAL MATERIEL CORP. MAMARONECK, NEW YORK PLATE, PROTECTIVE	
										STOCK SIZE		
										ALUMINIUM		
										MATERIAL		
										5052-H32	<i>DeLuis</i> DRAWN <i>A. De</i> CHECKED <i>SAM</i> FINAL APPROVAL	
TOLERANCES			SCALE:								5404 IRIDITE	MS-2508
DEC. DIM. ± FRAC. DIM. ± ANGULAR DIM. ±			MAXIMUM ALLOWABLE TOLERANCES HAVE BEEN DETERMINED AND ANY DEVIATIONS WILL BE CAUSE FOR REJECTION. REMOVE ALL BURRS AND SHARP EDGES								FINISH & SPEC. NO.	
ELEC. DES. APP												
MECH. DES. APP												