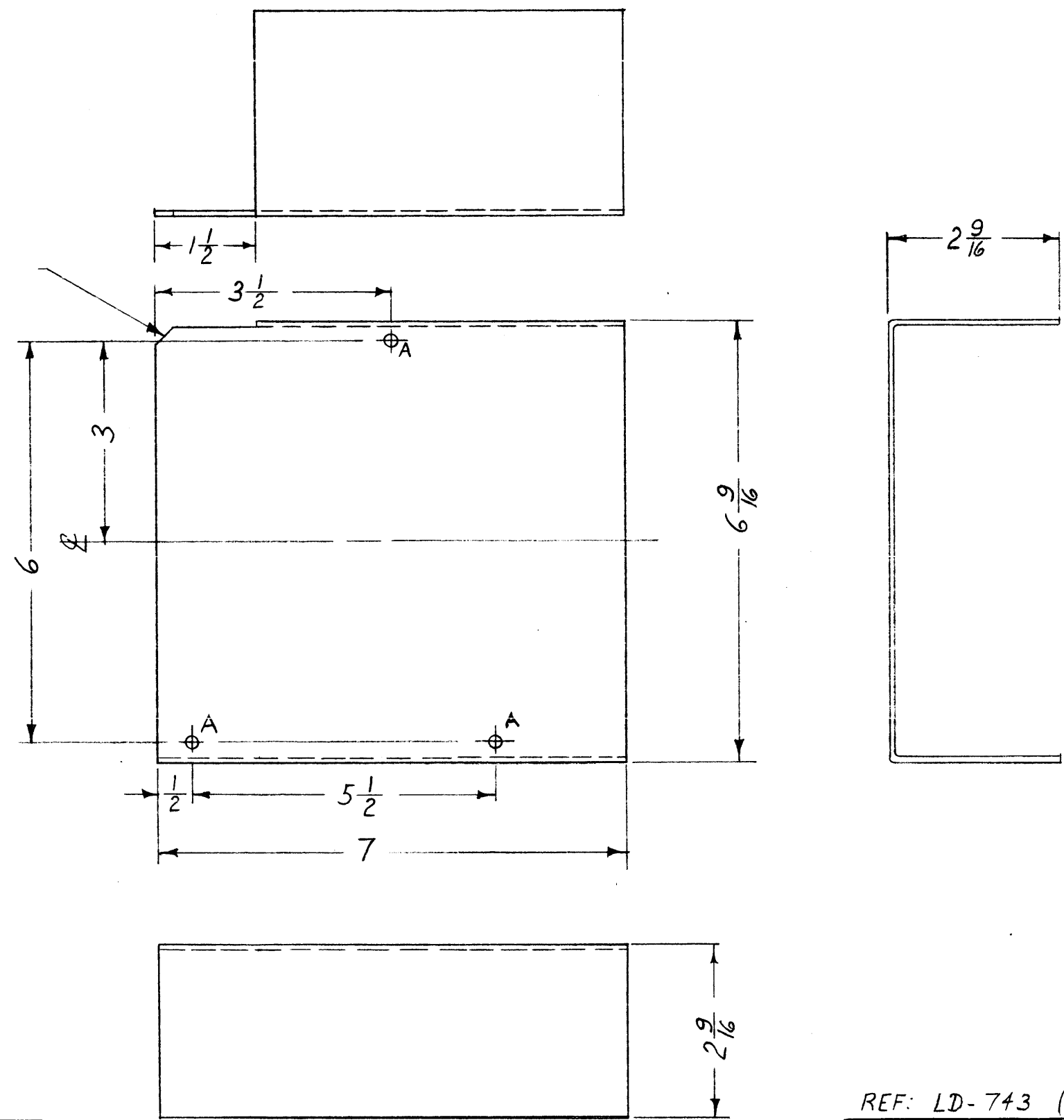


MS-2295 A

A-11/64(.171)D.

3 REQ.

1/4 X 1/4 NOTCH
1 REQ.



FINISH:
S404 YELLOW IRIDITE
S114 ZINC CHROMATE PRIMER
S520 BLUE GREY TEXTURED VINYL OR
PRIME & PAINT TO CUSTOMERS SPECS.

NOTICE TO PERSONS RECEIVING THIS DRAWING

THE TECHNICAL MATERIEL CORPORATION claims proprietary right in the material disclosed hereon. This drawing is issued in confidence for engineering information only and may not be reproduced or used to manufacture anything shown hereon without permission from THE TECHNICAL MATERIEL CORPORATION to the user. This drawing is loaned for your assistance and is subject to recall at any time.

Property of:
THE TECHNICAL MATERIEL CORPORATION
MAMARONECK, NEW YORK

REF: LD-743 (2)

A	1	IN FINISH S520 WASS 220	8-7-63	9654	AK	JNY	LS	
ISSUE	ITEM	CHANGED FROM	DATE	CH. NO.	DRAFTS	CHECKER	ENG. APP.	
TOLERANCES		SCALE: 1/2						
DEC. DIM. ±		MAXIMUM ALLOWABLE TOLERANCES HAVE BEEN DETERMINED AND ANY DEVIATIONS WILL BE CAUSE FOR REJECTION.						
FRAC. DIM. ± 1/64		REMOVE ALL BURRS AND SHARP EDGES						
ANGULAR DIM. ±								

1	TRL-4			6-8-60
1	TRL-3			6-8-60
REQ. PER UNIT	MODEL	PROJECT NO.	ASSY. NO.	DATE
USED ON				

REQ. ITEM	PART NO.	DESCRIPTION	SYMBOL
.064		THE TECHNICAL MATERIEL CORP. MAMARONECK, NEW YORK	
ALUMINUM		COVER, TRL	
5052-H32			
TYPE & TEMPER	HEAT TREAT. SPEC.	DRAWN	CHECKED
SEE NOTE			
FINISH & SPEC. NO.	ELEC. DES. APP.	MECH. DES. APP.	
			MS-2295
			A