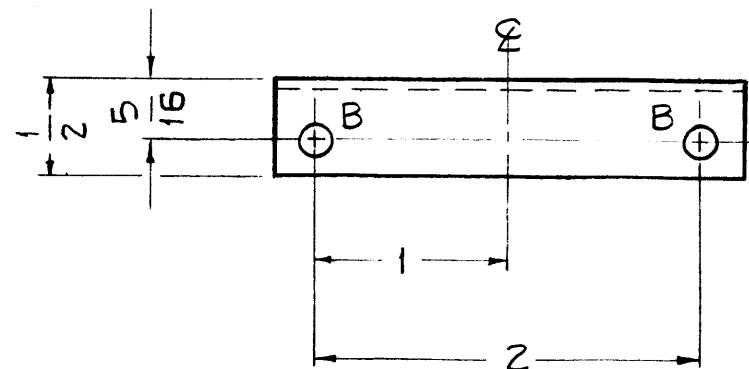
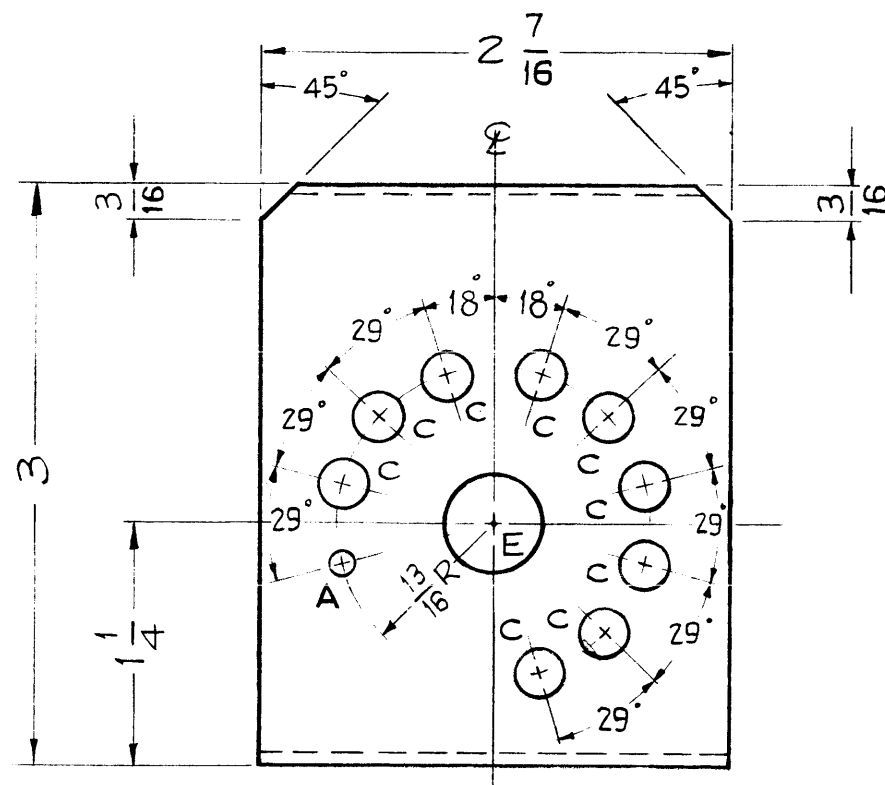
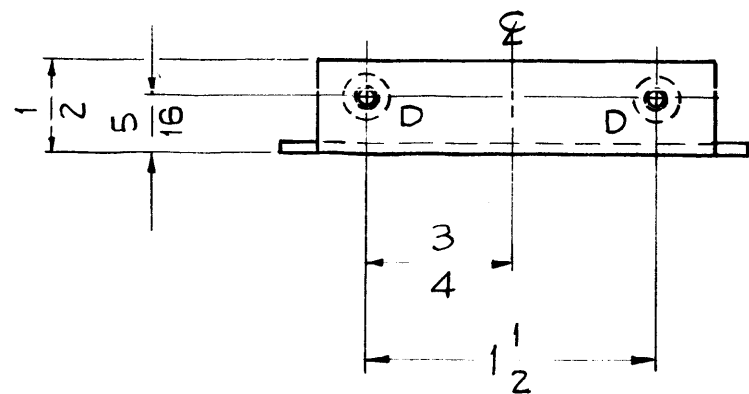
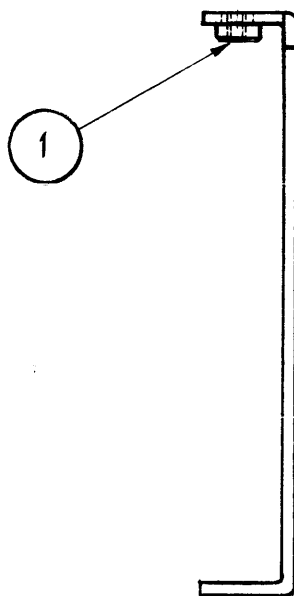


MS-2220



HOLES ~

- A ~ 1/8 (.125) DIA. 1 REQ.
- B ~ 11/64 (.171) DIA. 2 REQ.
- C ~ 1/4 (.250) DIA. 9 REQ.
- D ~ .161 MIN., .164 MAX. DIA'S. 2 REQ.
FOR NT129-440-4
- E ~ 1/2 (.500) DIA. 1 REQ.

NOTICE TO PERSONS RECEIVING THIS DRAWING

THE TECHNICAL MATERIEL CORPORATION claims proprietary right in the material disclosed hereon. This drawing is issued in confidence for engineering information only and may not be reproduced or used to manufacture anything shown hereon without permission from THE TECHNICAL MATERIEL CORPORATION to the user. This drawing is loaned for mutual assistance and is subject to recall at any time.

Property of:

THE TECHNICAL MATERIEL CORPORATION
MAMARONECK, NEW YORK

REF. LD-750

2	1	NT129-440-4	NUT, ROUND, SWAGE TYPE	
REQ. ITEM		PART NO.	DESCRIPTION	SYMBOL
		.064		
		STOCK SIZE		
		ALUMINUM	BRACKET, LEFT SIDE	
		MATERIAL	CAPACITOR MOUNTING	
		5052-H32	J.C. Biele	
		TYPE & TEMPER	DRAWN	CHECKED
		HEAT TREAT. SPEC.		FINAL APPROVAL
		5404-IRIDITE	J.D.	
		FINISH & SPEC. NO.	ELEC. DES. APP.	MECH. DES. APP.

ISSUE	ITEM	CHANGED FROM	DATE	CH. NO.	DRAFTS	CHECKER	ENG. APP.
TOLERANCES		SCALE: FULL, DO NOT SCALE					
DEC. DIM. ±		MAXIMUM ALLOWABLE TOLERANCES HAVE BEEN DETERMINED AND ANY DEVIATIONS WILL BE CAUSE FOR REJECTION.					
FRAC. DIM. ± 1/64		REMOVE ALL BURRS AND SHARP EDGES					
ANGULAR DIM. ± 1/2°							

1	CLL-1			4-28-60
REQ. PER UNIT	MODEL	PROJECT NO.	ASS'Y. NO.	DATE
USED ON				