

APPLICATION

QTY MODEL USED ON ASS'Y NO.

1 | GPT-40 K

LTR

DESCRIPTION

REVISIONS

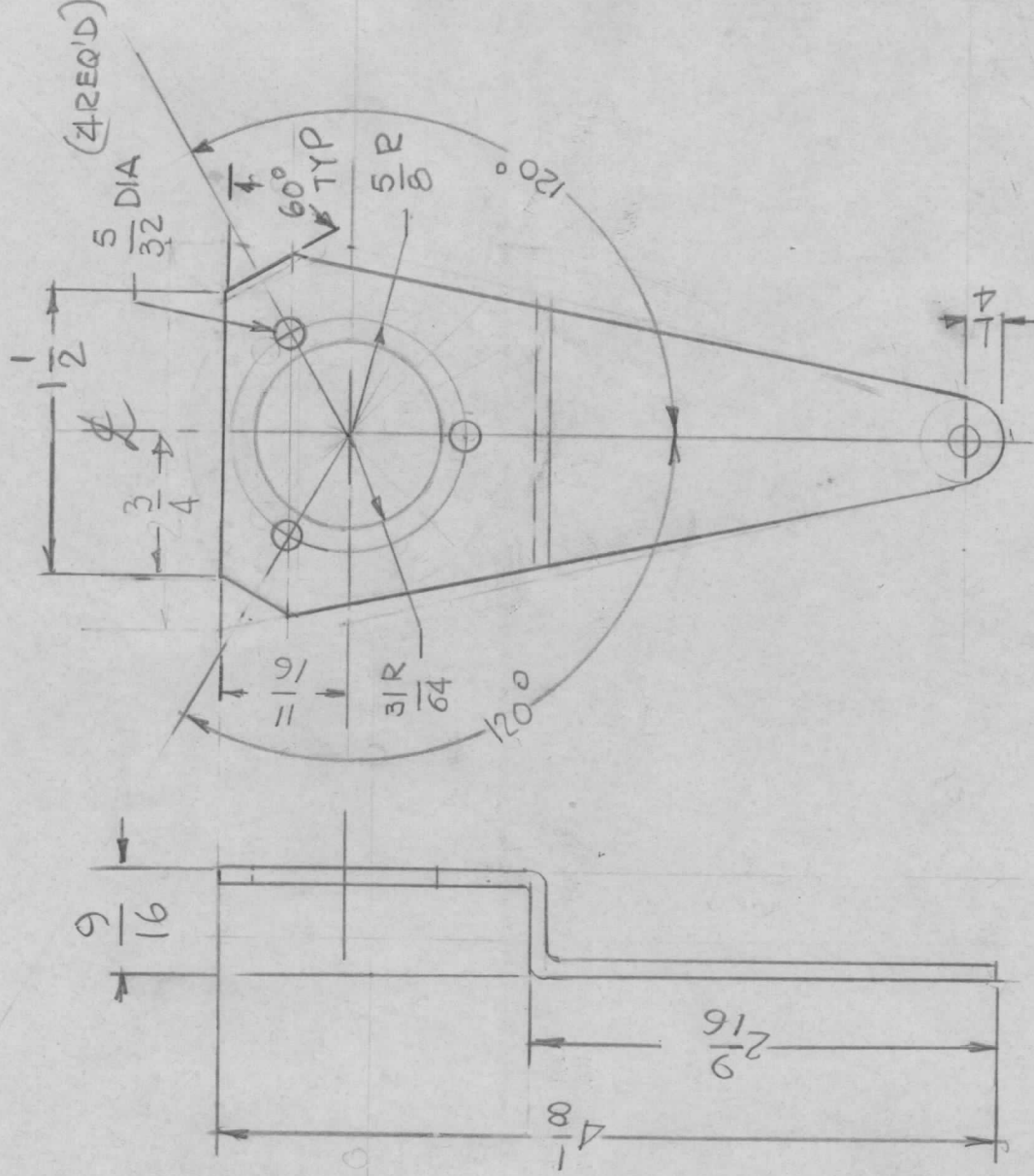
DATE

E.M.N.NO

DRAFT

CHKD

APPD



(MP110)

UNLESS OTHERWISE SPECIFIED DIMENSIONS ARE IN INCHES AND INCLUDE CHEMICALLY APPLIED OR PLATED FINISHES

DECIMALS FRACTIONS
 .X ± .05 TOLS. 1/64
 .XX ± .01 ANGLES 0° .30'
 .XXX ± .005

MATERIAL 081THK
 ALUM S052-H32

FINISH

BLACK, ANODIZED

REQ'D ITEM	PART NUMBER	DESCRIPTION	SYM.
LIST OF MATERIAL			
FINAL APPROVAL	DATE	THE TECHNICAL MATERIEL CORP.	
MECH. DES.	DATE	MAMARONECK, NEW YORK	
ELECT. DES.	DATE		
CHECKED	DATE		
DRAWN	DATE	BRACKET, KNOB HANDLE	
		SIZE CODE IDENT. NO.	ISSUE
		A 82679	MS 2177
		SCALE 1:1	SHEET OF

NOTICE TO PERSONS RECEIVING THIS DRAWING
 THE TECHNICAL MATERIEL CORPORATION claims proprietary right in the material disclosed hereon. This drawing is issued in confidence for engineering information only and may not be reproduced or used to manufacture anything shown hereon without permission from THE TECHNICAL MATERIEL CORPORATION to the user. This drawing is loaned for mutual assistance and is subject to recall at any time.