
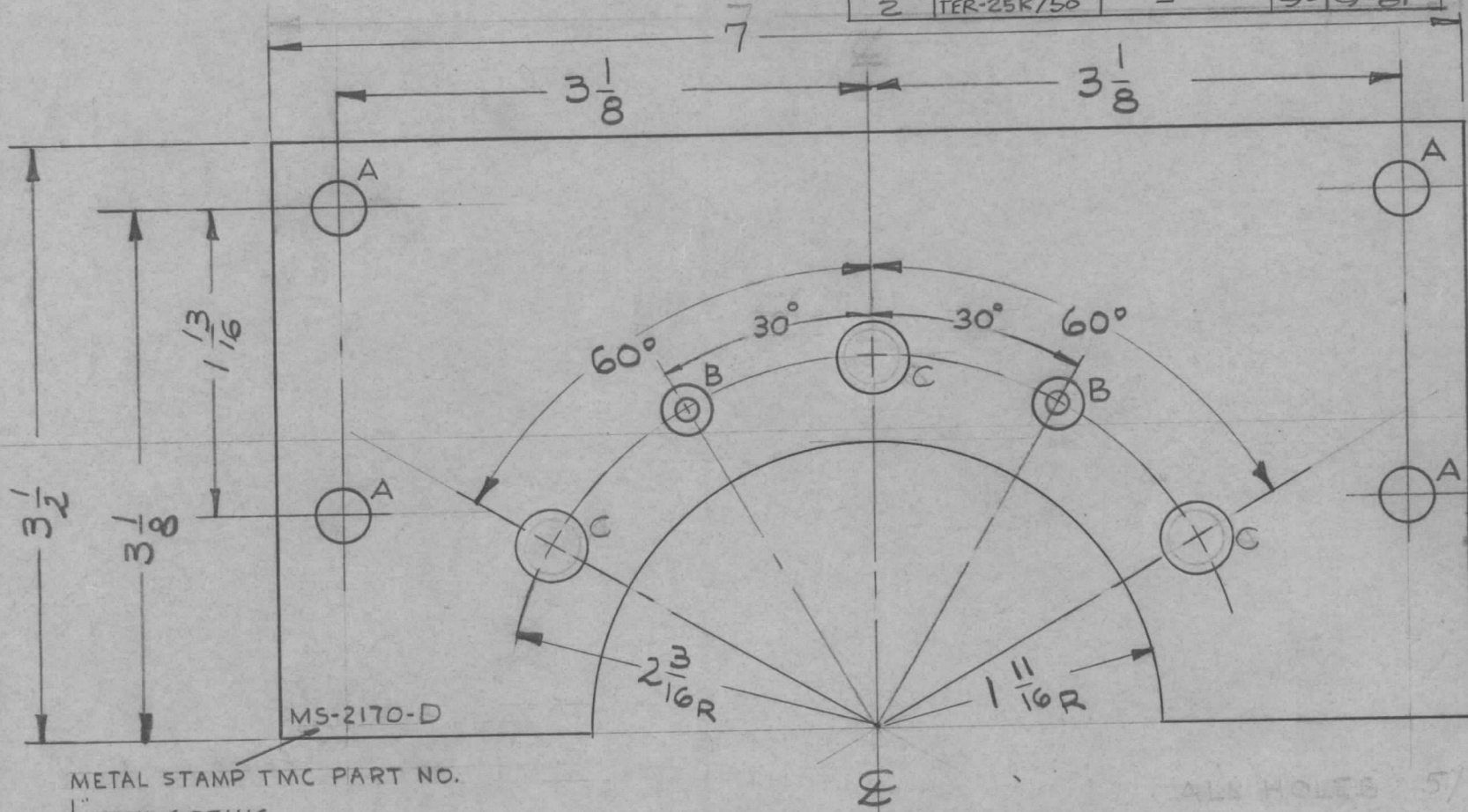
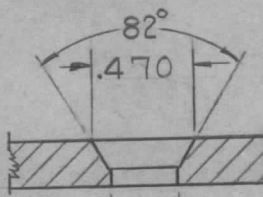


REQ. PER UNIT	USED ON		
	MODEL	ASS'Y. NO.	DATE
2	GPT-40K	AX-209	4-1-60
2	TER-25K/50	-	9-19-61

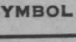
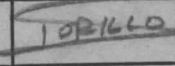
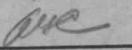
MS-2170 



A- $\frac{5}{16}$ DIA. 4REQ.
 B-SEE DETAIL

 C-SINK
 $\frac{1}{4}$ -20 \rightarrow .254
 DETAIL-B
 2REQ.
 C- $\frac{13}{32}$ DIA. 3REQ.

METAL STAMP TMC PART NO.
 $\frac{1}{8}$ " HIGH GOTHIC

LD-871(1) (FOR GPT-40K ONLY)
 REF: LD-835 (1) for Spare Parts Only (FOR GPT-40K ONLY)

ISSUE	ITEM	CHANGED FROM	DATE	CH. NO.	DRAFTS	CHECKER	ENG. APP.	REQ.	ITEM	PART NO.	DESCRIPTION	SYMBOL		
D	1	30 HOLES WERE A HOLES	1-17-62	6217	EE	EE	EE				THE TECHNICAL MATERIEL CORP. MAMARONECK, NEW YORK PLATE DIRECTIONAL COUPLER			
C	2	1" B" HOLE WAS "A" HOLE	11-20-61	5931	EE	EE	EE							
C	1	1" B" HOLE ADDED												
B	1	ONE 5/16 DIA. HOLE ADDED; 30°	10/17/61	5730	EE	GB	EE							
A	2	LD-871 REF added for Spare Parts Only Note Added	11/28/60	3602	DDM	GB	EE							
TOLERANCES DEC. DIM. \pm FRAC. DIM. \pm $\frac{1}{64}$ ANGULAR DIM. \pm								SCALE: FULL MAXIMUM ALLOWABLE TOLERANCES HAVE BEEN DETERMINED AND ANY DEVIATIONS WILL BE CAUSE FOR REJECTION. REMOVE ALL BURRS AND SHARP EDGES			5052-H32 TYPE & TEMPER S404-YEL. IRIDITE FINISH & SPEC. NO.		DRAWN  CHECKED  FINAL APPROVAL MS-2170 