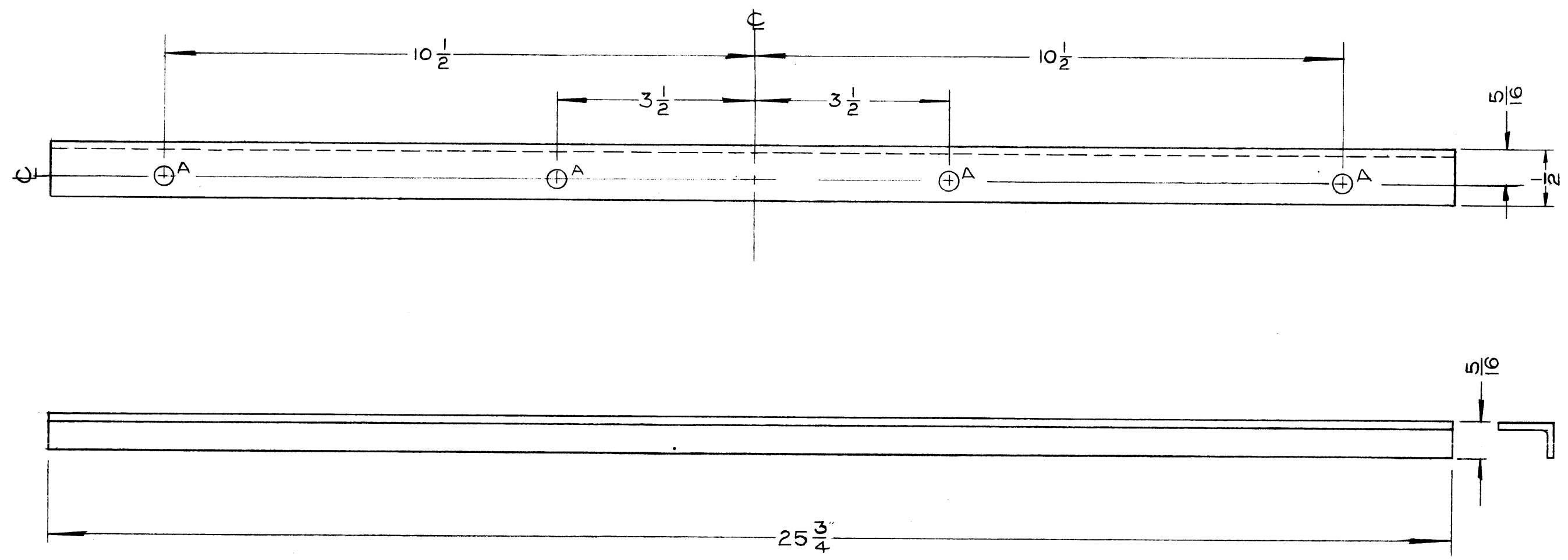


MS-2130

A ~ 5/32 (.156)D 4 REQ.



NOTICE TO PERSONS RECEIVING THIS DRAWING

THE TECHNICAL MATERIEL CORPORATION claims proprietary right in the material disclosed hereon. This drawing is issued in confidence for engineering information only and may not be reproduced or used to manufacture anything shown hereon without permission from THE TECHNICAL MATERIEL CORPORATION to the user. This drawing is loaned for mutual assistance and is subject to recall at any time.

Property of:
THE TECHNICAL MATERIEL CORPORATION
 MAMARONECK, NEW YORK

ISSUE	ITEM	CHANGED FROM	DATE	CH. NO.	DRAFTS	CHECKER	ENG. APP.
TOLERANCES		SCALE: <i>f</i>					
DEC. DIM. ±		MAXIMUM ALLOWABLE TOLERANCES HAVE BEEN DETERMINED AND ANY DEVIATIONS WILL BE CAUSE FOR REJECTION.					
FRAC. DIM. ±		REMOVE ALL BURRS AND SHARP EDGES					
ANGULAR DIM. ±							

2	GPT 40K	AX-209	3-18-60
REQ. PER UNIT	MODEL	PROJECT NO.	DATE
USED ON			

REQ. ITEM	PART NO.	DESCRIPTION	SYMBOL
	.051 THK	THE TECHNICAL MATERIEL CORP. MAMARONECK, NEW YORK	
	STOCK SIZE		
	ALUMINUM	BRACKET, PA WINDOW	
	MATERIAL	SCREEN RETAINING (TOP & BOTTOM)	
5052-H32		<i>cu</i>	<i>AW</i>
TYPE & TEMPER	HEAT TREAT. SPEC.	DRAWN	CHECKED
S404 IRIDITE			
FINISH & SPEC. NO.	ELEC. DES. APP.	MECH. DES. APP.	MS-2130