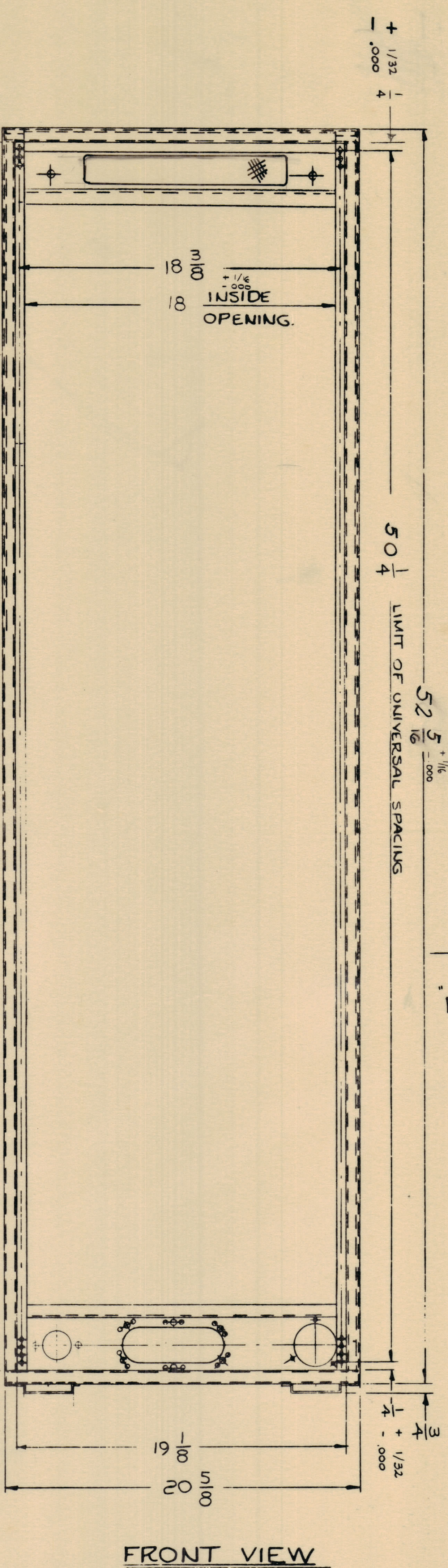


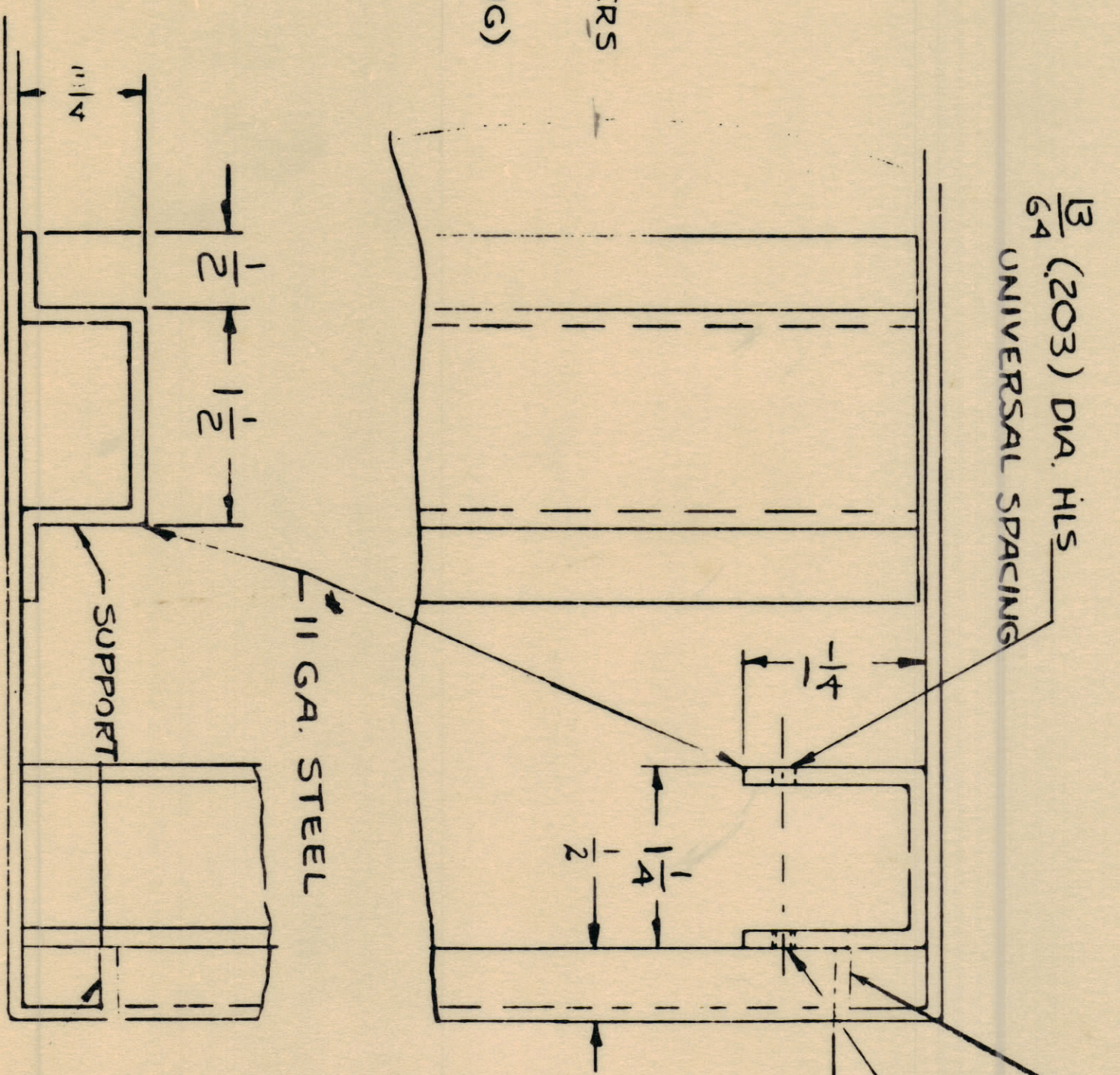
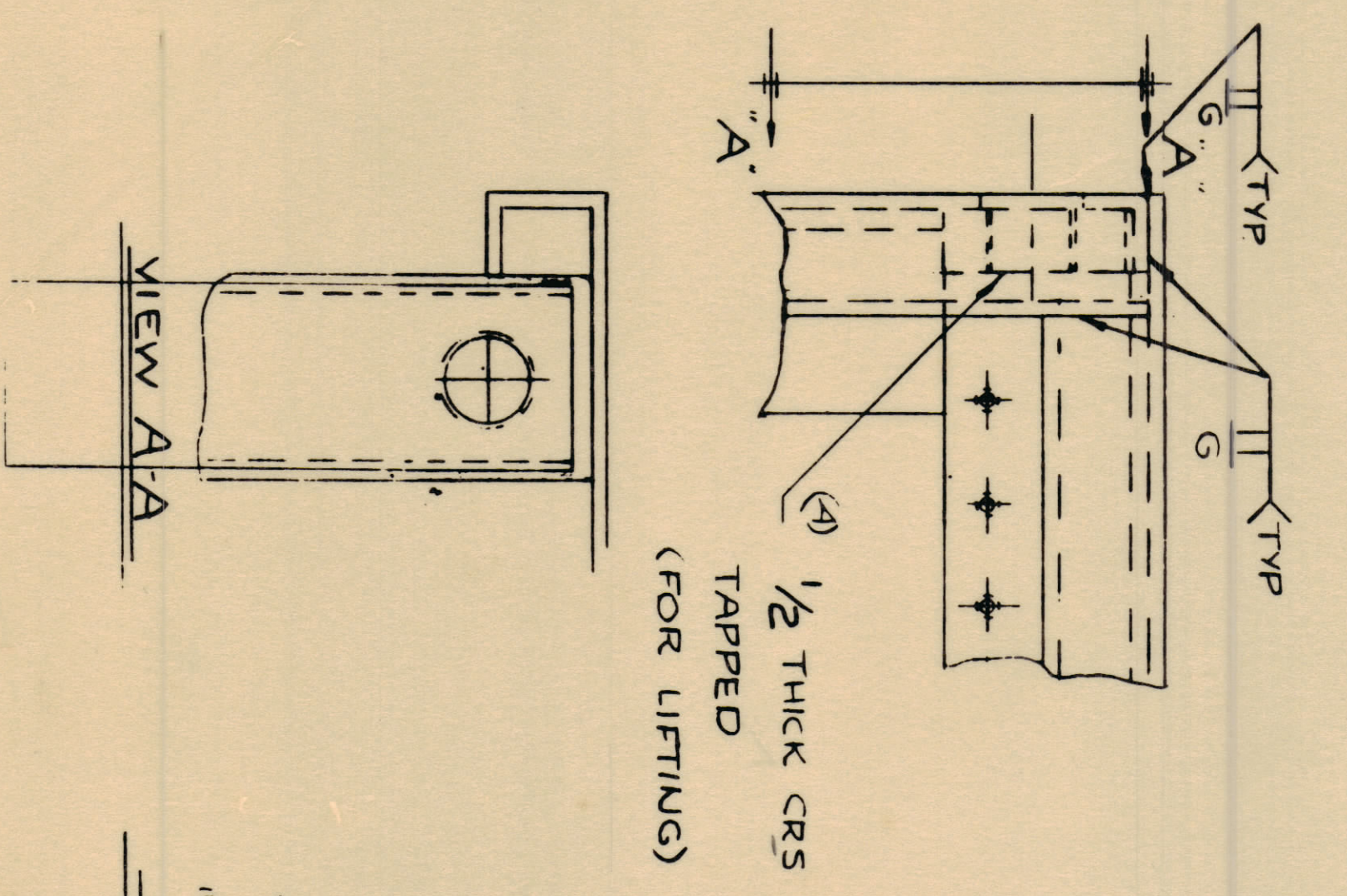
IF IT IS FOUND NECESSARY TO CHANGE ANY TOLERANCE OR DIMENSION ON THIS DRAWING WITHOUT THE PURCHASER'S PERMISSION, THE PURCHASER'S PERMISSION SHALL BE OBTAINED. MINOR AND DEVISATIONS WILL BE CAUSE FOR REJECTION. REMOVE ALL DIMS AND DIMENSION LINES.



FRONT VIEW

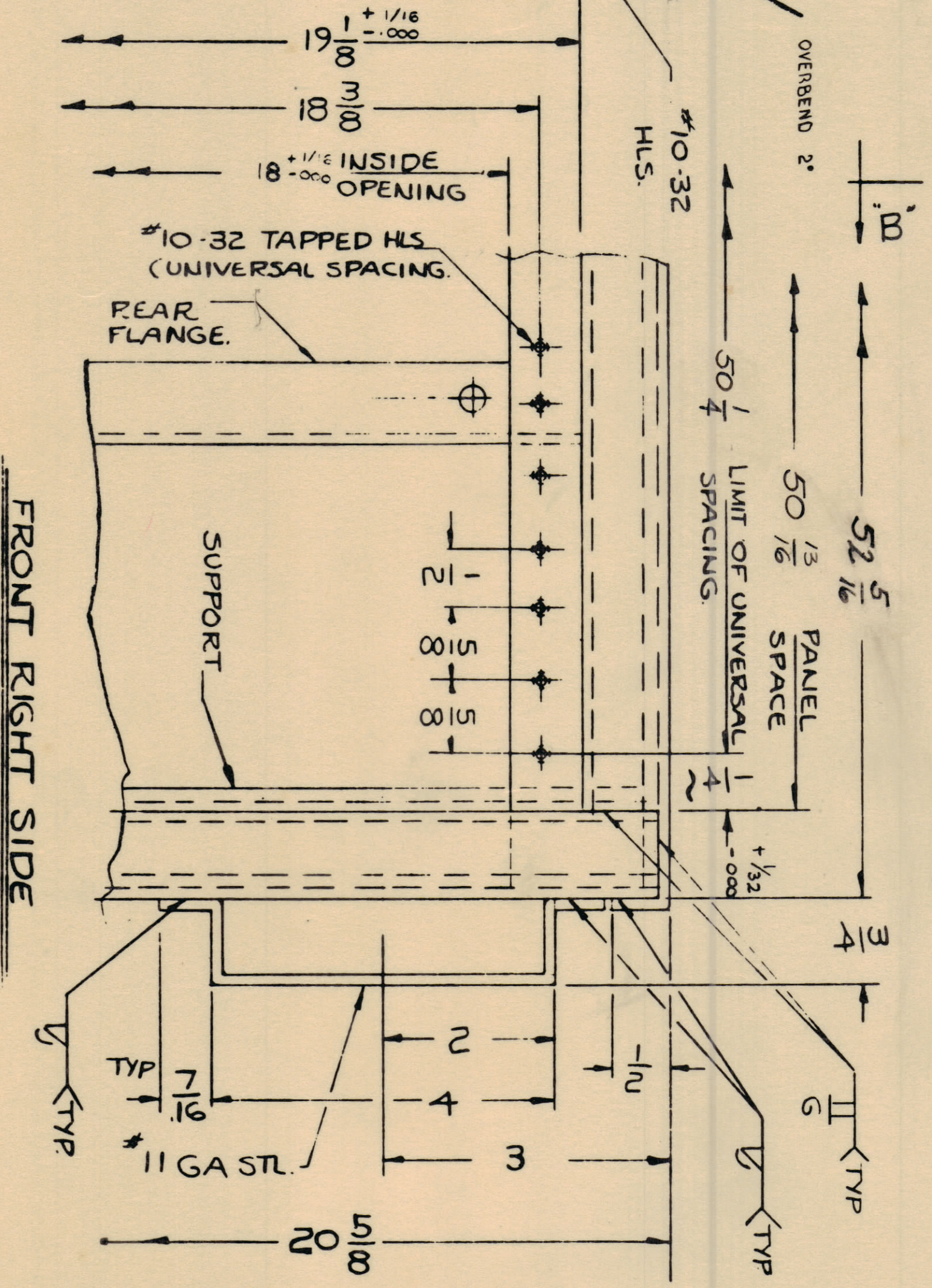
NOTE: INSIDE OPENING TOLERANCE MUST BE HELD

NOTE
ALL MAT IS 13 GA. STEEL UNLESS OTHERWISE NOTED



TOLERANCE SPECIFICATION
OVERALL STRUCTURAL TOL. ~ 1/16
EXCEPT HOLES LOCATIONS 1/64 C TO C
OTHER TOL. AS DESIGNATED
DO NOT ACCUMULATE TOL. ON CHAIN DIM.

UNLESS OTHERWISE SPECIFIED
DIMENSIONS ARE IN INCHES AND INCLUDE
DIMENSIONAL TOLERANCES APPLIED ON PLATED FINISHES
TOLERANCES
X ± .015
Ø ± .010
X ± .005
Ø ± .003



FRONT RIGHT SIDE

REV. NO.	CHANGED FROM	DATE	BY	REASON
1	REVISED			

REV. NO.	DESCRIPTION	DATE
1	REVISED	

REV.	ITEM	PART NO.	DESCRIPTION	STATUS
			THE TECHNICAL MATERIEL CORP. MANHATTAN, NEW YORK	
			CABINET, Elec. EQUIPMENT DETAIL, FRONT VIEW	
			DESIGNED BY: [Signature]	
			CHECKED BY: [Signature]	
			FINAL APPROVAL: [Signature]	

MS-2107

NOTICE TO PERSONS RECEIVING THIS DRAWING
THE TECHNICAL MATERIEL CORPORATION claims
proprietary right in the material disclosed herein.
This drawing is issued in confidence for your
information only and may not be reproduced or used
to manufacture anything shown hereon without per-
mission from THE TECHNICAL MATERIEL CORPORATION
to the user. This drawing is loaned for mutual
assistance and is subject to recall at any time.
Property of:
THE TECHNICAL MATERIEL CORPORATION
MANHATTAN, NEW YORK

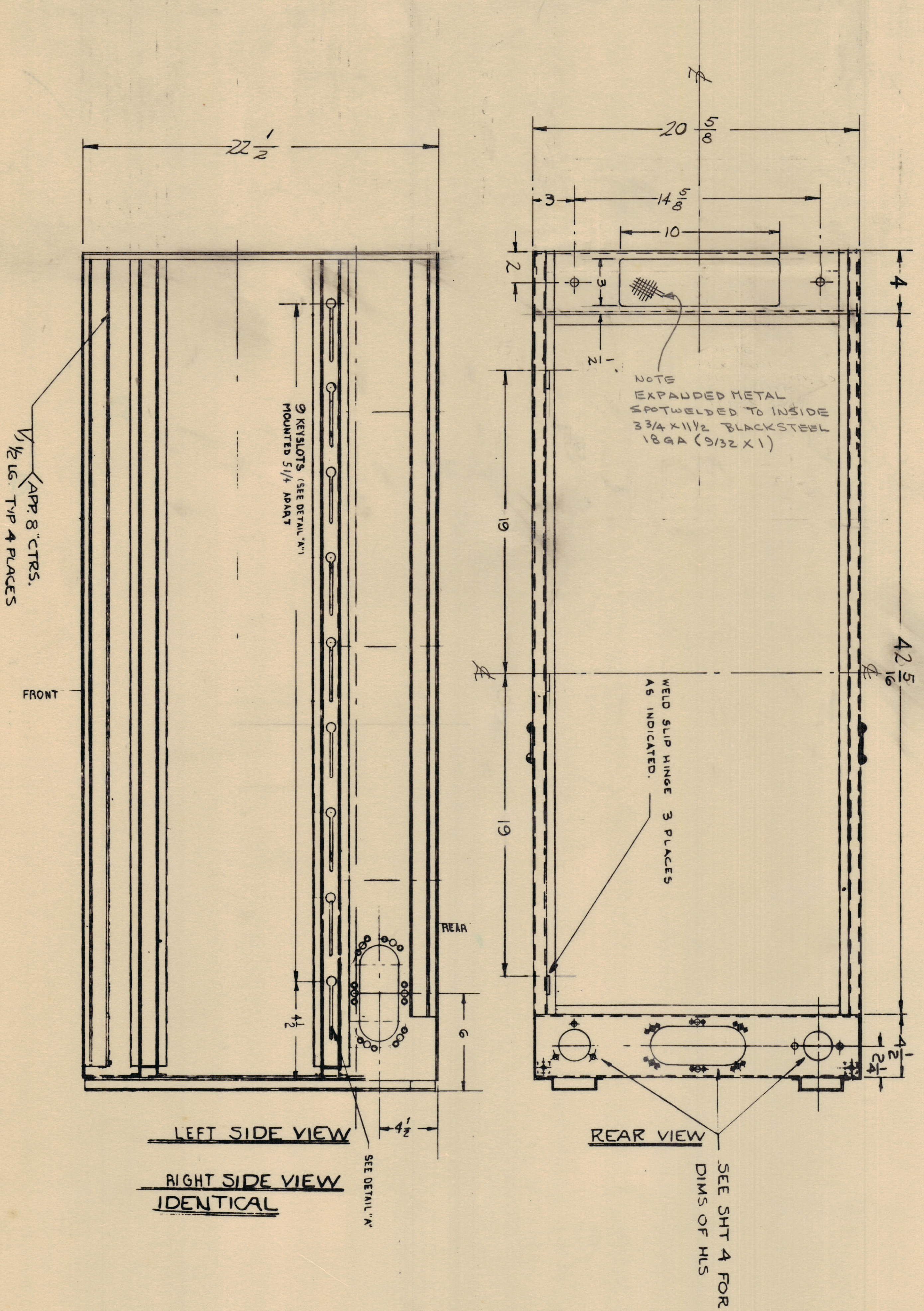
IF IT IS FOUND NECESSARY TO CHANGE ANY TOLERANCE OR OTHER DETAIL SPECIFIED ON THIS DRAWING NOTIFY THE PURCHASER IMMEDIATELY. UNLESS OTHERWISE SPECIFIED, DIMENSIONS AND DEVIATIONS WILL BE GIVEN FOR REVISION. REMOVE ALL DIMS AND SHARP EDGES

DATE	ISSUED FROM	DATE	ON NO	QUANTITY	REVISION	BY
	CHANGED FROM					
ALL	DEC 20 1951					
OTHERS	APPROVED BY					

UNLESS OTHERWISE SPECIFIED, DIMENSIONS ARE TO BE TAKEN TO THE CENTER OF HOLES AND UNLESS OTHERWISE SPECIFIED, DIMENSIONS ARE TO BE TAKEN TO THE CENTER OF HOLES. TOLERANCES ARE AS SHOWN.

NO.	REV.	DATE	BY	DESCRIPTION
1				RAK-15

NO.	REV.	DATE	BY	DESCRIPTION
1				RIGHT SIDE IDENTICAL
THE TECHNICAL MATERIAL CORP. MANHATTAN, NEW YORK CABINET, Elec. Equipment REAR SIDE VIEWS 10 RILLB SHEET 5 of 7 MS-2107				



NOTICE TO PERSONS RECEIVING THIS DRAWING
 THE TECHNICAL MATERIAL CORPORATION
 PROPERTY OF:
 M. MARO:CEK, NEW YORK

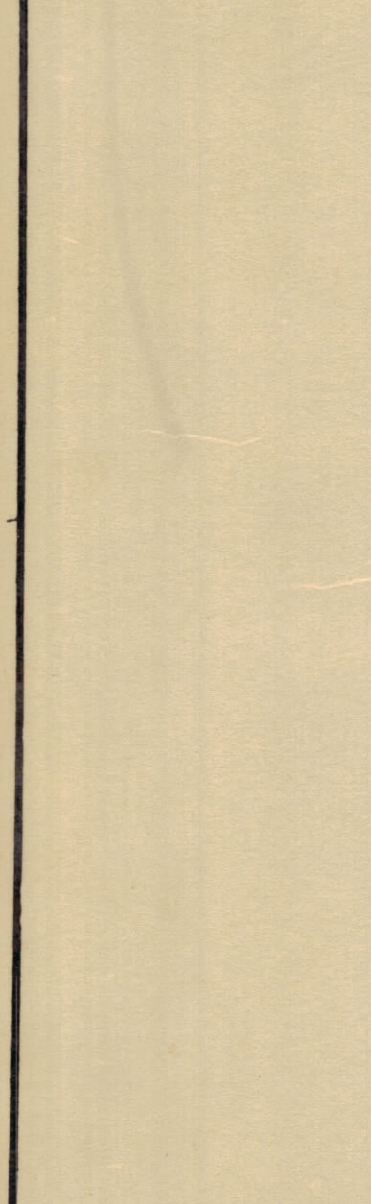
MS-2107

IT IS THE POLICY OF THE COMPANY TO CHARGE AND MAINTAIN THE LOWEST POSSIBLE PRICE FOR THE PRODUCTS OF THE COMPANY. THE COMPANY'S POLICY IS TO CHARGE AND MAINTAIN THE LOWEST POSSIBLE PRICE FOR THE PRODUCTS OF THE COMPANY. THE COMPANY'S POLICY IS TO CHARGE AND MAINTAIN THE LOWEST POSSIBLE PRICE FOR THE PRODUCTS OF THE COMPANY.

ITEM	QUANTITY	UNIT	DESCRIPTION
1	1	EA	REAR DOOR

UNLESS OTHERWISE SPECIFIED DIMENSIONS ARE IN INCHES AND DECIMALS THEREOF. TOLERANCES ARE AS SHOWN.

NOTE: DOOR MUST BE FLAT OR 2" OVERBEND TOWARDS INSIDE; TOP & BOTTOM.



1 1/4 x 10 1/4 I.B.G.A. 9/32 x 1 B.L. STEEL EXPANDED METAL SPOT WELDED TO INSIDE OF DOOR.

REQ. NO.	146A	PART NO.	
STOCK SIZE	STEEL	DESCRIPTION	REAR DOOR
TYPE & TEMPER		MATERIAL	
HEAT TREAT SPEC.		FINISH & SPEC. NO.	

MS-2107

NOTICE TO PERSONS RECEIVING THIS DRAWING: THE TECHNICAL MATERIAL CORPORATION disclaims proprietary right in the material disclosed herein. This drawing is issued in confidence for engineering information only and may not be reproduced or used to manufacture anything shown hereon without permission from THE TECHNICAL MATERIAL CORPORATION. TOY to the user. This drawing is loaned for informational assistance and is subject to recall at any time.

Property of: THE TECHNICAL MATERIAL CORPORATION, MANASSAS, NEW YORK