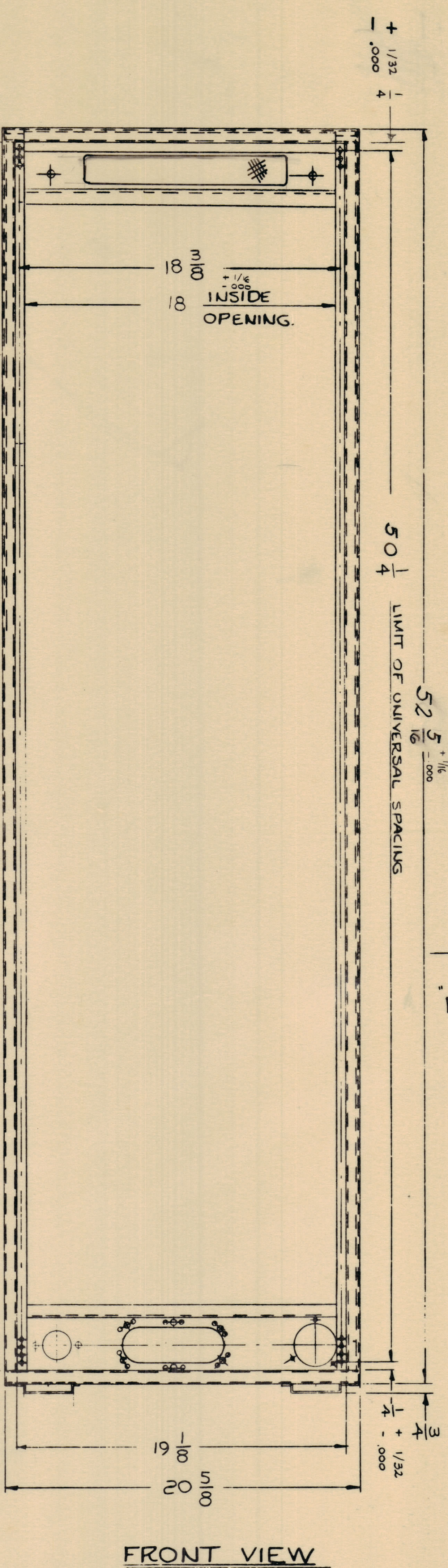


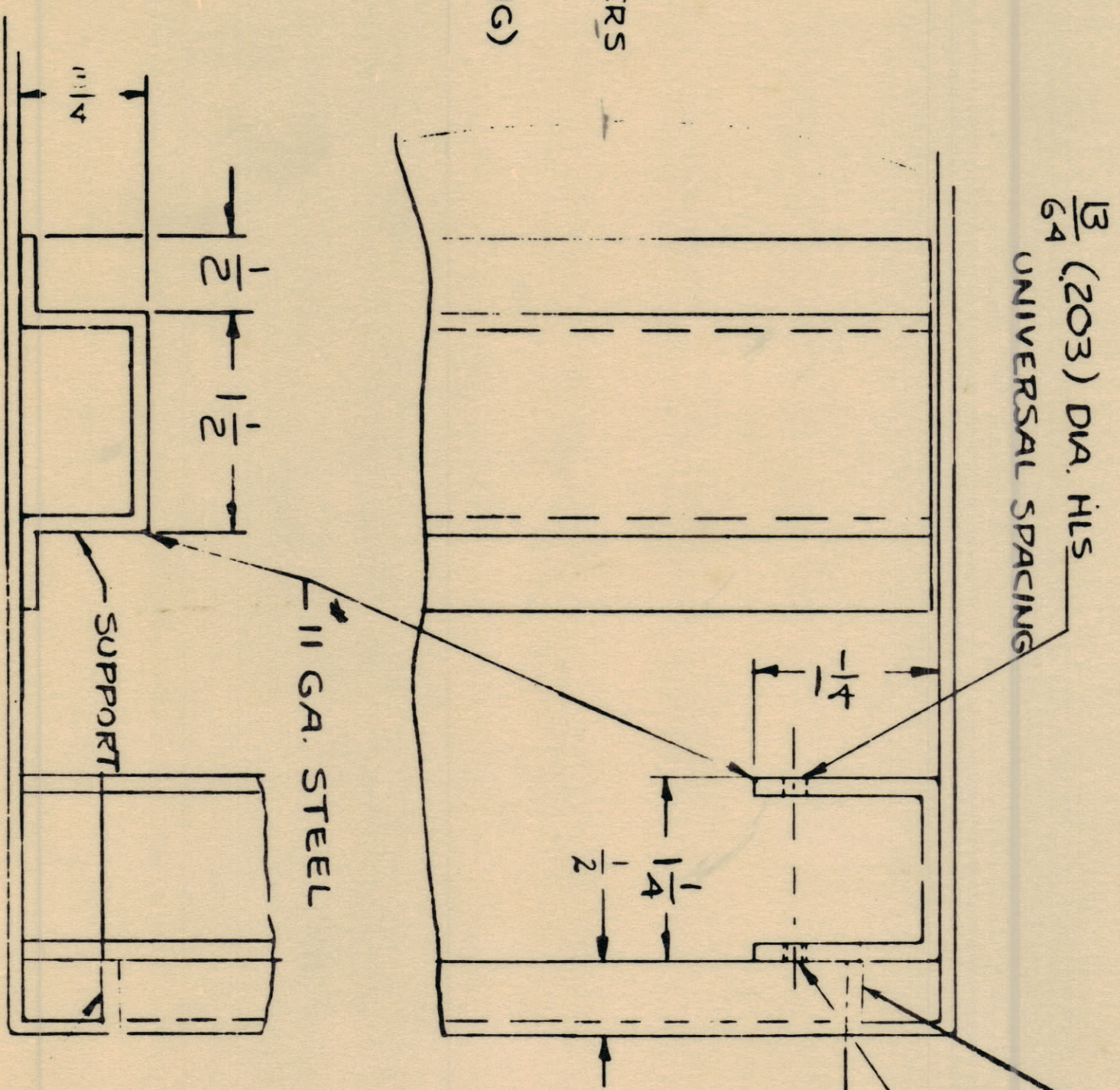
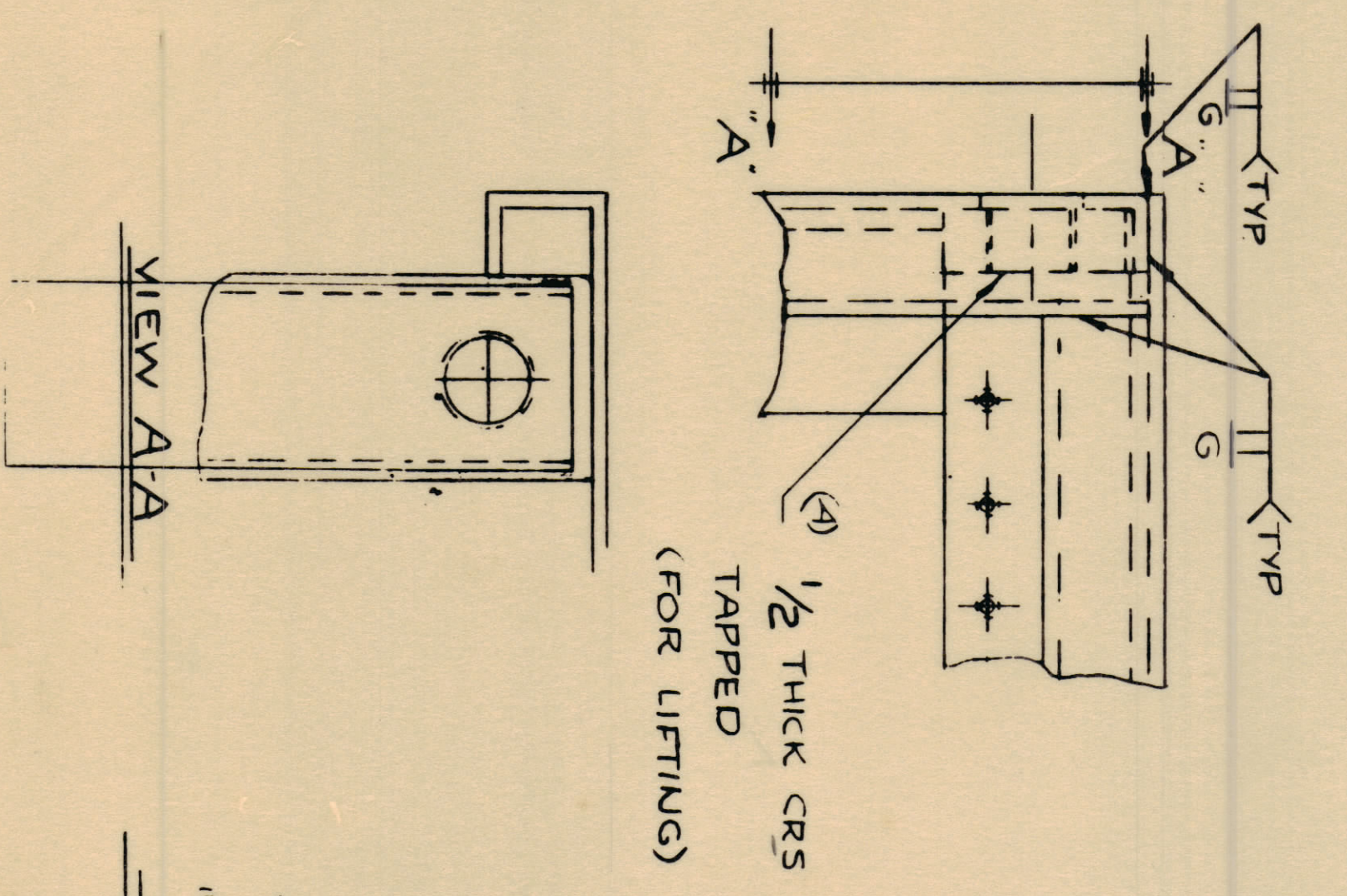
IF IT IS FOUND NECESSARY TO CHANGE ANY TOLERANCE SPECIFICATION ON THIS DRAWING, THE PURCHASER SHALL BE ADVISED BY THE MANUFACTURER. TOLERANCES SHALL BE AS SPECIFIED UNLESS OTHERWISE NOTED. MINOR AND DEVIATIONS WILL BE CAUSE FOR REJECTION. REMOVE ALL DIMS AND DIMENSION LINES.



FRONT VIEW

NOTE: INSIDE OPENING TOLERANCE MUST BE HELD

NOTE
ALL MAT IS 13 GA. STEEL UNLESS OTHERWISE NOTED



TOLERANCE SPECIFICATION
OVERALL STRUCTURAL TOL. $\pm 1/16$
EXCEPT HOLES LOCATIONS $1/64$ C TO C
OTHER TOL. AS DESIGNATED
DO NOT ACCUMULATE TOL. ON CHAIN DIM.

UNLESS OTHERWISE SPECIFIED
DIMENSIONS ARE IN INCHES AND INCLUDE
DIMENSIONAL TOLERANCES ON PLATED FINISHES
DIMENSIONAL TOLERANCES
TOLERANCES
CUT HERE
GUARANTEED

REV. NO.	CHANGED FROM	DATE	BY	SCALE
1	REVISED			

REV. NO.	DESCRIPTION	DATE
1	REVISED	

REV.	ITEM	PART NO.	DESCRIPTION	STATUS
			THE TECHNICAL MATERIEL CORP. MANHATTAN, NEW YORK	
			CABINET, Elec. EQUIPMENT DETAIL, FRONT VIEW	
			VERILLO	
			ENGINEER	
			FINAL APPROVAL	

MS-2107

NOTICE TO PERSONS RECEIVING THIS DRAWING
THE TECHNICAL MATERIEL CORPORATION claims
proprietary right in the material disclosed herein.
This drawing is issued in confidence for your
information only and may not be reproduced or used
to manufacture anything shown hereon without
permission from THE TECHNICAL MATERIEL CORPORATION
to the user. This drawing is loaned for mutual
assistance and is subject to recall at any time.
Property of:
THE TECHNICAL MATERIEL CORPORATION
MANHATTAN, NEW YORK