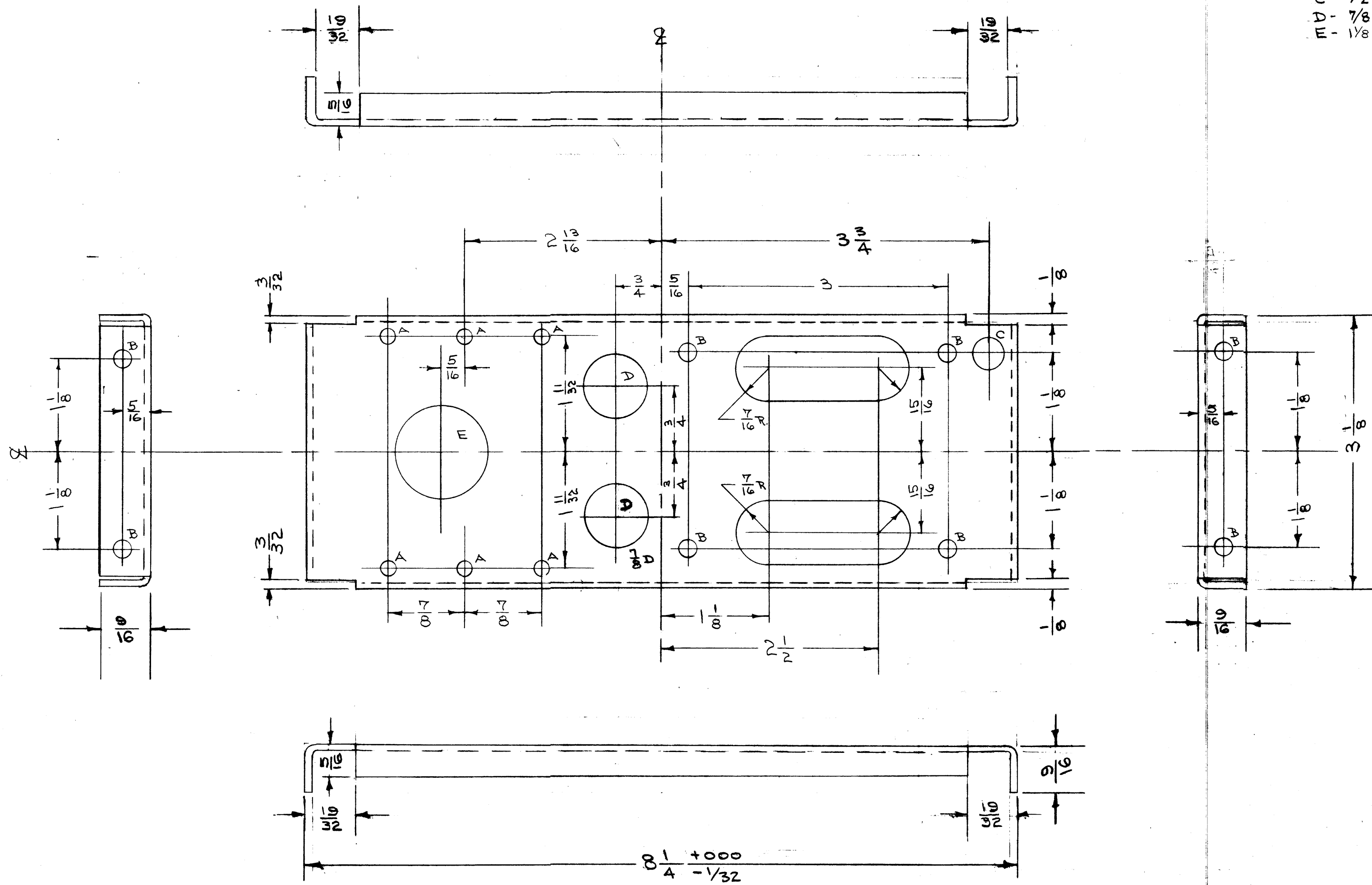


IF IT IS FOUND DESIRABLE TO CHANGE ANY TOLERANCE OR OTHER DETAIL SPECIFIED ON THIS DRAWING NOTIFY THE PURCHASER PROMPTLY.

MAXIMUM ALLOWABLE TOLERANCES HAVE BEEN DETERMINED AND DEVIATIONS WILL BE CAUSE FOR REJECTION. REMOVE ALL BURRS AND SHARP EDGES

- A - 1/64 (.172) D. 6 HOLES REQ.
- B - 1/32 (.203) D. 8 HOLES REQ.
- C - 1/2 (.500) D. 1 HOLE REQ.
- D - 7/8 (.875) D. 2 HOLES REQ.
- E - 1/8 (.125) D. 1 HOLE REQ.



MS-253

ISSUE	ITEM	CHANGED FROM	DATE	CN. NO.	DRAFTS	CHECKER	ENG. APP.
G	1	(2) 3/32 DIM. WAS 1/8	9-11-60	2949	CS		
F	1	3404 - TRIDITE WAS 5101 CAUSTIC DIP	12-9-59	1001	CS		
E	1	PICTORIAL CLARIFIED	8-27-59		DM	HUB	ONE
D	1	5/16 LIPS REVERSED	5/27/57	4	CS	HUB	ONE
C	1	5/16 LIPS REVERSED	5/27/57	3	CS	HUB	ONE
	2	C HOLE WAS 3/8 D.					
B	1	INSIDE DIM. DELETED, OUTSIDE DIM. ADDED	11/27/56	2	LG	HUB	ONE
A	1	D HOLE WAS 3/4 D.	11/3/56	1	LG	HUB	ONE
+	+	REDRAWN CHANGE	5/18/58	+	C.D.D.	HUB	ONE

**NOTICE TO PERSONS RECEIVING THIS DRAWING**  
 THE TECHNICAL MATERIEL CORPORATION claims proprietary right in the material disclosed hereon. This drawing is issued in confidence for engineering information only and may not be reproduced or used to manufacture anything shown hereon without permission from THE TECHNICAL MATERIEL CORPORATION to the user. This drawing is loaned for mutual assistance and is subject to recall at any time.

Property of:  
 THE TECHNICAL MATERIEL CORPORATION  
 MAMARONECK, NEW YORK

REQ. ITEM	PART NO.	DESCRIPTION	SYMBOL
	106A	THE TECHNICAL MATERIEL CORP. MAMARONECK, NEW YORK	
	ALUMINUM	CENTER CHASSIS ELEMENT	
	525-H32		
		C.D.D. 5/8/53	
		DRAWN	ELEC. DES. APP. MECH. DES. APP.
		CHECKED	FINAL APPROVAL
	3404-167-121D/AE	SUPERCEDES BMS 001	MS-253

PSP	PROJECT NO.	12-7-50
MODEL	ASSY. NO.	
USED ON		