

IF IT IS FOUND DESIRABLE TO CHANGE ANY TOLERANCE OR OTHER DETAIL SPECIFIED ON THIS DRAWING NOTIFY THE PURCHASER PROMPTLY.

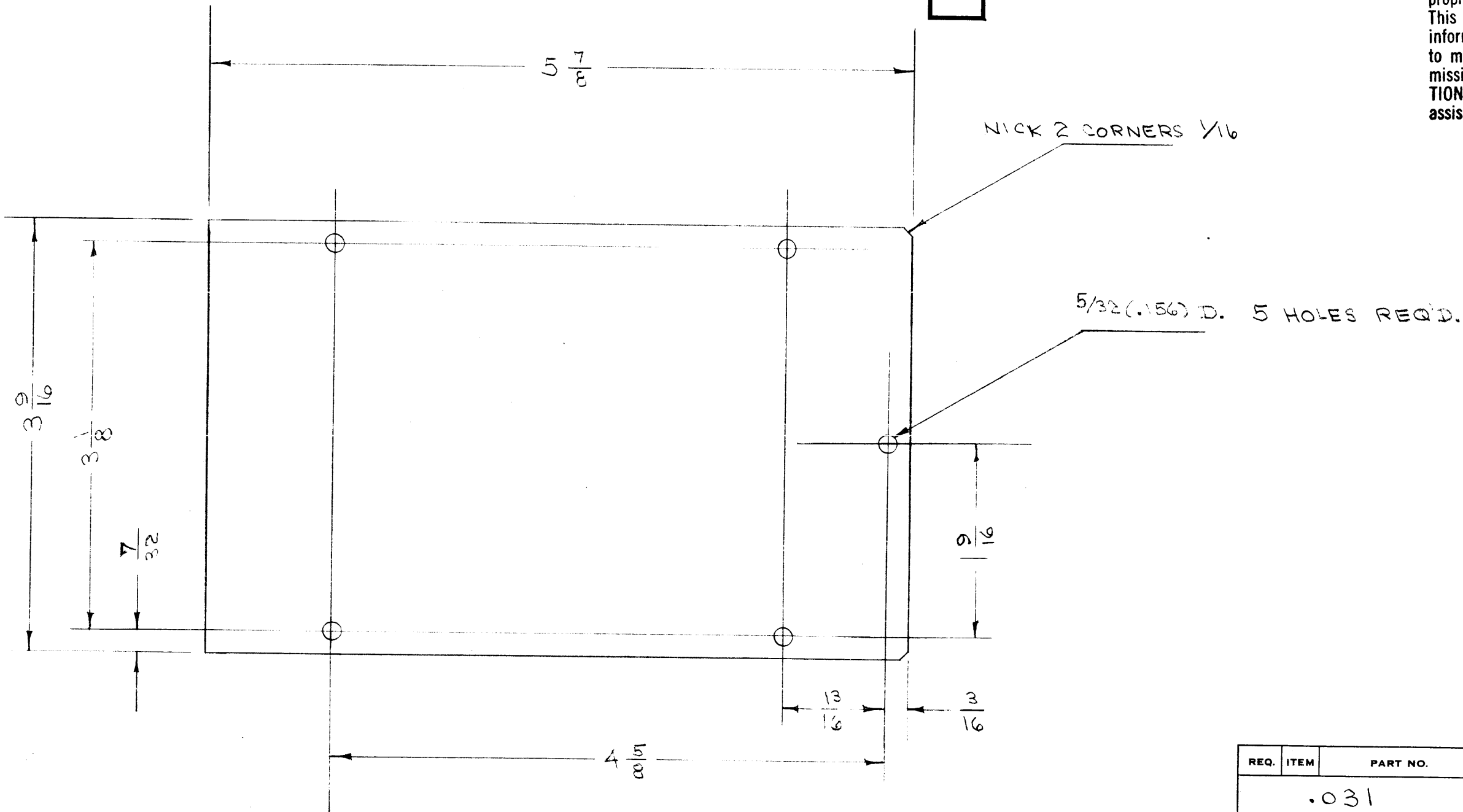
MAXIMUM ALLOWABLE TOLERANCES HAVE BEEN DETERMINED AND DEVIATIONS WILL BE CAUSE FOR REJECTION. REMOVE ALL BURRS AND SHARP EDGES

MS-232 A

NOTICE TO PERSONS RECEIVING THIS DRAWING

THE TECHNICAL MATERIEL CORPORATION claims proprietary right in the material disclosed hereon. This drawing is issued in confidence for engineering information only and may not be reproduced or used to manufacture anything shown hereon without permission from THE TECHNICAL MATERIEL CORPORATION to the user. This drawing is loaned for mutual assistance and is subject to recall at any time.

Property of:  
THE TECHNICAL MATERIEL CORPORATION  
MAMARONECK, NEW YORK



REQ.	ITEM	PART NO.	DESCRIPTION	SYMBOL
		.031	THE TECHNICAL MATERIEL CORP.	
		STOCK SIZE	MAMARONECK, NEW YORK	
	ALUMINUM		SHIELD COVER	
	MATERIAL	WEIGHT PER PC.		
	523-H32			
	TYPE & TEMPER			
			CD.D. 5/5/53	
	HEAT TREAT. SPEC.		DRAWN	ELEC. DES. APP.
			MECH. DES. APP.	
			HAID. 5/8/53	
			CHECKED	FINAL APPROVAL
	S-404 YELLOW IRIDITE			
	FINISH & SPEC. NO.			

A	1	S-404 WAS S-101	12/11/59	1001	AB	EMN	
ISSUE	ITEM	CHANGED FROM	DATE	CN. NO.	DRAFTS	CHECKER	ENG. APP.
TOLERANCES		SCALE:					
ALL OTHERS	DEC. DIM. $\pm$ FRAC. DIM. $\pm$ $\frac{1}{64}$ ANGULAR DIM. $\pm$	DRILL, PUNCH, COMMERCIAL STOCK SIZES AND MANUFACTURERS TOLERANCES ARE NOT INCLUDED.					

DCU	200		9-25-51
MODEL	PROJECT NO.	ASS'Y. NO.	DATE