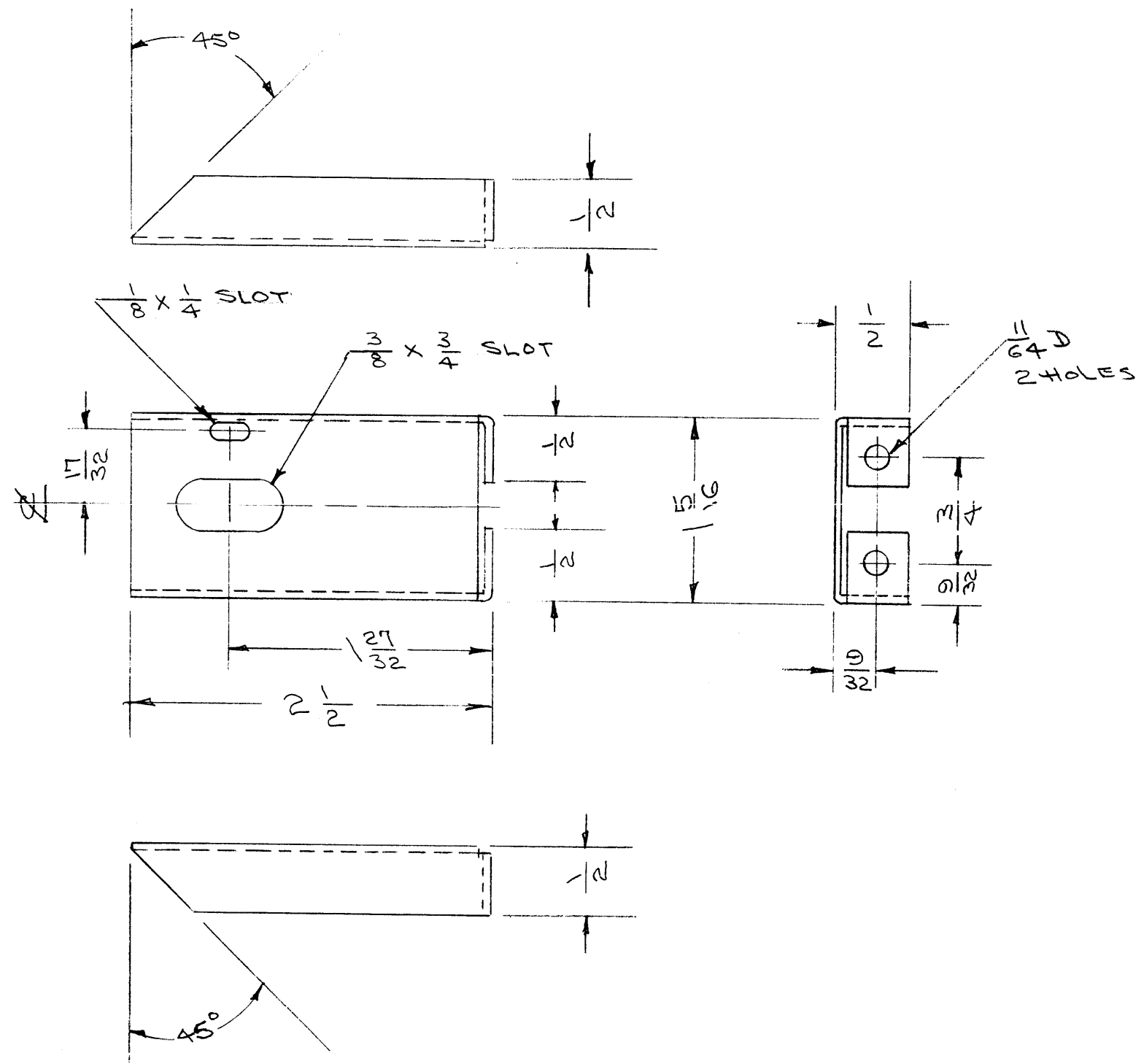


MS-219 F



NOTICE TO PERSONS RECEIVING THIS DRAWING

THE TECHNICAL MATERIEL CORPORATION claims proprietary right in the material disclosed hereon. This drawing is issued in confidence for engineering information only and may not be reproduced or used to manufacture anything shown hereon without permission from THE TECHNICAL MATERIEL CORPORATION to the user. This drawing is loaned for mutual assistance and is subject to recall at any time.

Property of:
THE TECHNICAL MATERIEL CORPORATION
MAMARONECK, NEW YORK

ISSUE	ITEM	CHANGED FROM	DATE	CH. NO.	DRAFTS	CHECKER	ENG. APP.
F	1	S-404 WAS S-101	12/11/59	1001	AB		EMN
-	-	REDRAWN - ORIG. WAS LOST - NO REV.	3/13/58	-	JAD	16	<i>[Signature]</i>
E	2	$\frac{1}{8} \times \frac{1}{4}$ WAS $\frac{9}{64}$	8/16/55	5	CDD	JAD	WDC
	1	REDRAWN					

TOLERANCES		SCALE:	
DEC. DIM. \pm		MAXIMUM ALLOWABLE TOLERANCES HAVE BEEN DETERMINED AND ANY DEVIATIONS WILL BE CAUSE FOR REJECTION.	
FRAC. DIM. \pm $\frac{1}{64}$		REMOVE ALL BURRS AND SHARP EDGES	
ANGULAR DIM. \pm 2°			

1	XFK	A-683	8/16/55
REQ. PER UNIT	MODEL	PROJECT NO.	ASS'Y. NO.
USED ON			

REQ. ITEM	PART NO.	DESCRIPTION	SYMBOL
	.051	THE TECHNICAL MATERIEL CORP. MAMARONECK, NEW YORK	
	STOCK SIZE		
	ALUMINUM	BRACKET, SWITCH	
	MATERIAL	XFK	
5052-H32			
TYPE & TEMPER	HEAT TREAT. SPEC.	REDRAWN	CHECKED
S-404 YELLOW IRIDITE			
FINISH & SPEC. NO.	ELEC. DES. APP.	MECH. DES. APP.	
			MS-219 F