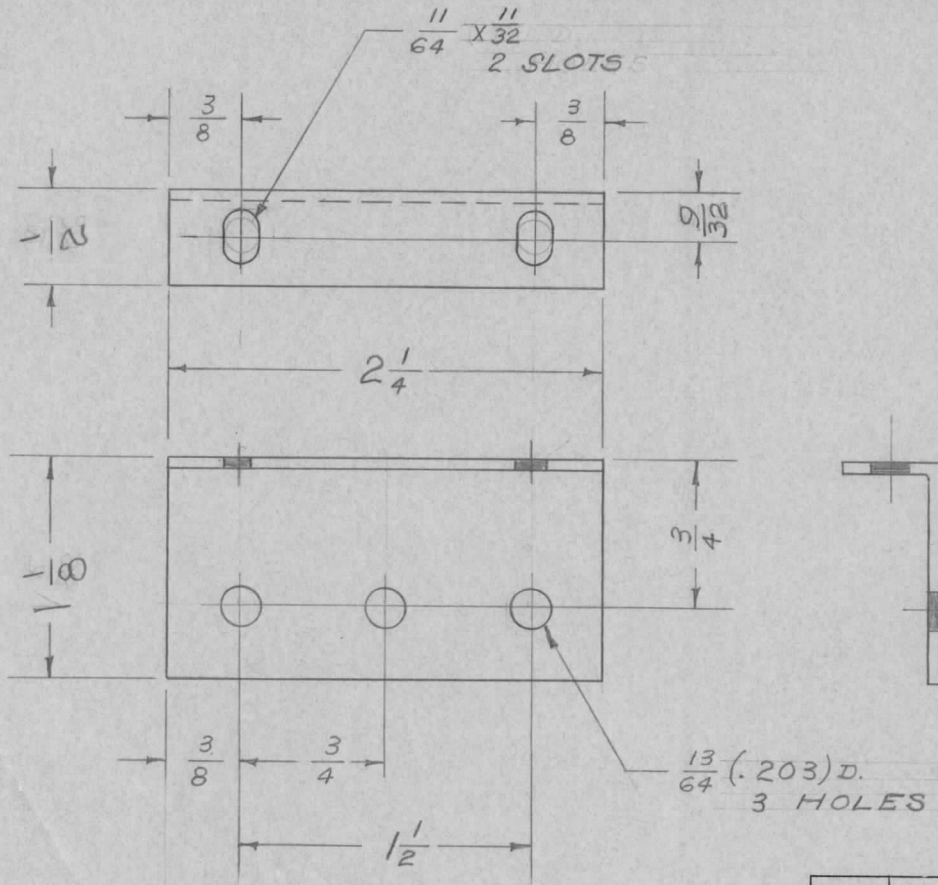


IF IT IS FOUND DESIRABLE TO CHANGE ANY TOLERANCE OR OTHER DETAIL SPECIFIED ON THIS DRAWING NOTIFY THE PURCHASER PROMPTLY.

MS-218 B

MAXIMUM ALLOWABLE TOLERANCES HAVE BEEN DETERMINED AND DEVIATIONS WILL BE CAUSE FOR REJECTION. REMOVE ALL BURRS AND SHARP EDGES

REQ. PER UNIT	USED ON			
	MODEL	PROJECT NO.	ASS'Y. NO.	DATE
2	XFK			8-6-51



REQ.	ITEM	PART NO.	DESCRIPTION	SYMBOL
		.051	THE TECHNICAL MATERIEL CORP.	
		STOCK SIZE	MAMARONECK. NEW YORK	
		ALUMINUM	RESISTOR BRACKET	
		MATERIAL		
		WEIGHT PER PC.		
		5052 S H 32		
		TYPE & TEMPER	16 8-16-55	
			DRAWN	ELEC. DES. APP.
			CHECKED	MECH. DES. APP.
		HEAT TREAT. SPEC.		
		5-101 CAUSTIC DIP		
		5-107 LACQUER		
		FINISH & SPEC. NO.		

B	2	9/32 WAS 5/16	3-28-57	2	SC.	JAD	all
A	1	SLOTS WERE HOLES	8/16/51	1	16	JAD	we
		REDRAWN					
ISSUE	ITEM	CHANGED FROM	DATE	CN. NO.	DRAFTS	CHECKER	ENG. APP.
TOLERANCES			SCALE				
ALL OTHERS	DEC. DIM. \pm FRAC. DIM. $\pm \frac{1}{64}$ ANGULAR DIM. \pm		DRILL, PUNCH, COMMERCIAL STOCK SIZES AND MANUFACTURERS TOLERANCES ARE NOT INCLUDED.				

MS-218 B