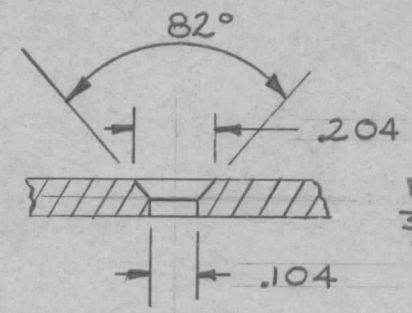
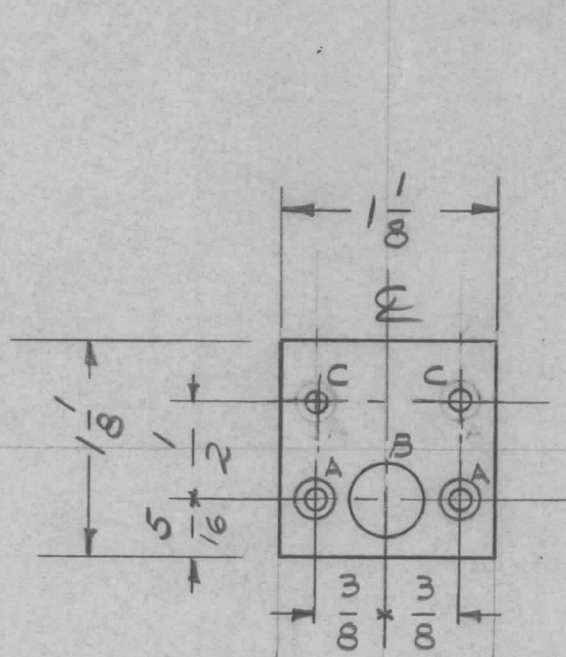


REQ. PER UNIT	USED ON			MS-2098	A
	MODEL	ASS'Y. NO.	DATE		
	GPT-40K	AP-103	3-7-60		



For
3-48
FHS

"A" 2-REQ.
B-3/8 D 1 "
C-1/64 D. 2 REQ.

FINISH - (All Surfaces)
S404 - Iridite
S114 - Zinc Chromate Primer
S115 - Smooth Grey Enamel

MS-2098-1
FINISH ALL SURFACES
S404 YEL IRIDITE
MS-2098-2 { S114 ZINC CHROMATE PRIMER
S788 BLK VINYL CORITEX PAINT

REQ.	ITEM	PART NO.	DESCRIPTION				SYMBOL
		.081	THE TECHNICAL MATERIEL CORP.				
		STOCK SIZE	MAMARONECK, NEW YORK				
A	1	ALUMINUM	PLATE, LOCK, FUSE DOOR				
		MATERIAL					
ISSUE ITEM		CHANGED FROM	DATE	CH. NO.	DRAFTS	CHECKER	ENG. APP.
TOLERANCES		SCALE: FULL		5052-H32	TORILLO	16	28
DEC. DIM. ±		MAXIMUM ALLOWABLE TOLERANCES HAVE BEEN DETERMINED AND ANY DEVIATIONS WILL BE CAUSE FOR REJECTION. REMOVE ALL BURRS AND SHARP EDGES		TYPE & TEMPER	HEAT TREAT. SPEC.	DRAWN	CHECKED
FRAC. DIM. ±				See Note 1		RPN	UR
ANGULAR DIM. ±				FINISH & SPEC. NO.	ELEC. DES. APP	MECH. DES. APP	MS-2098
							A