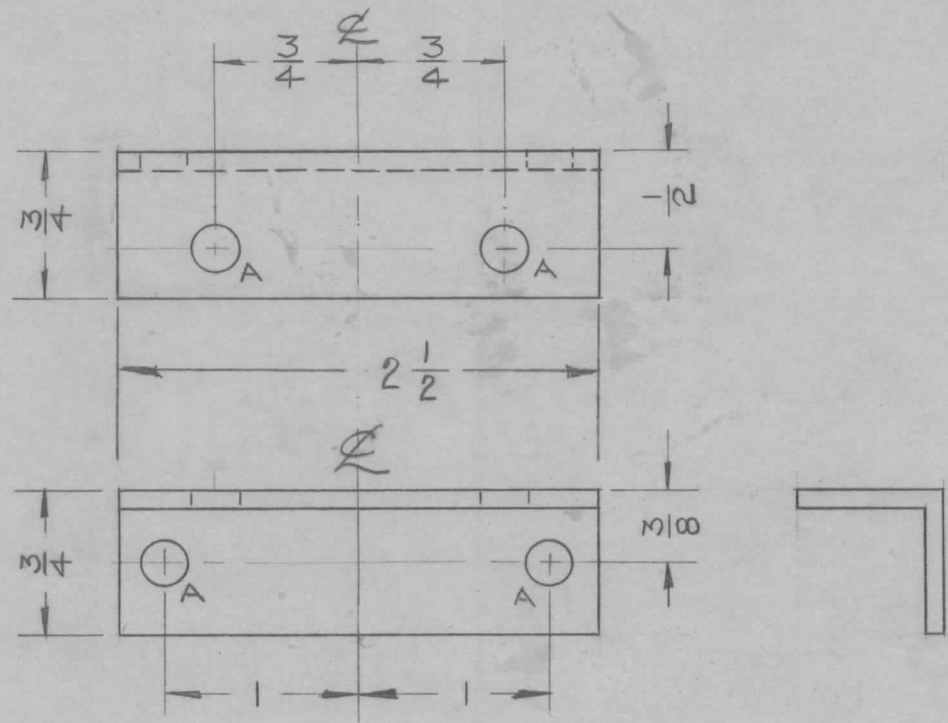


REQ. PER. UNIT	USED ON			MS-2092	A
	MODEL	ASSY. NO.	DATE		
	2	GPT-40K	AX 209		

A - 7/32 DIA

4 REQ



							REQ.	ITEM	PART NO.	DESCRIPTION			SYMBOL
									064	THE TECHNICAL MATERIEL CORP.			
									STOCK SIZE	MAMARONECK, NEW YORK			
									ALUMINUM	BRACKET CAPACITOR			
									MATERIAL				
A	1	ADDED 2 1/2 DIM	3-22-60	~	mf	16		5052-H32		CY	JL	DB	
ISSUE	ITEM	CHANGED FROM	DATE	CH. NO.	DRAFTS	CHECKER	ENG. APP.			DRAWN	CHECKED	FINAL APPROVAL	
TOLERANCES			SCALE:				TYPE & TEMPER		HEATTREAT. SPEC.				
DEC. DIM. ±			MAXIMUM ALLOWABLE TOLERANCES HAVE BEEN DETERMINED AND ANY DEVIATIONS WILL BE CAUSE FOR REJECTION.				S 404 IRIDITE					MS-2092	
FRAC. DIM. ± 1/64			REMOVE ALL BURRS AND SHARP EDGES				FINISH & SPEC. NO.			ELEC. DES. APP		MECH. DES. APP	
ANGULAR DIM. ±												A	