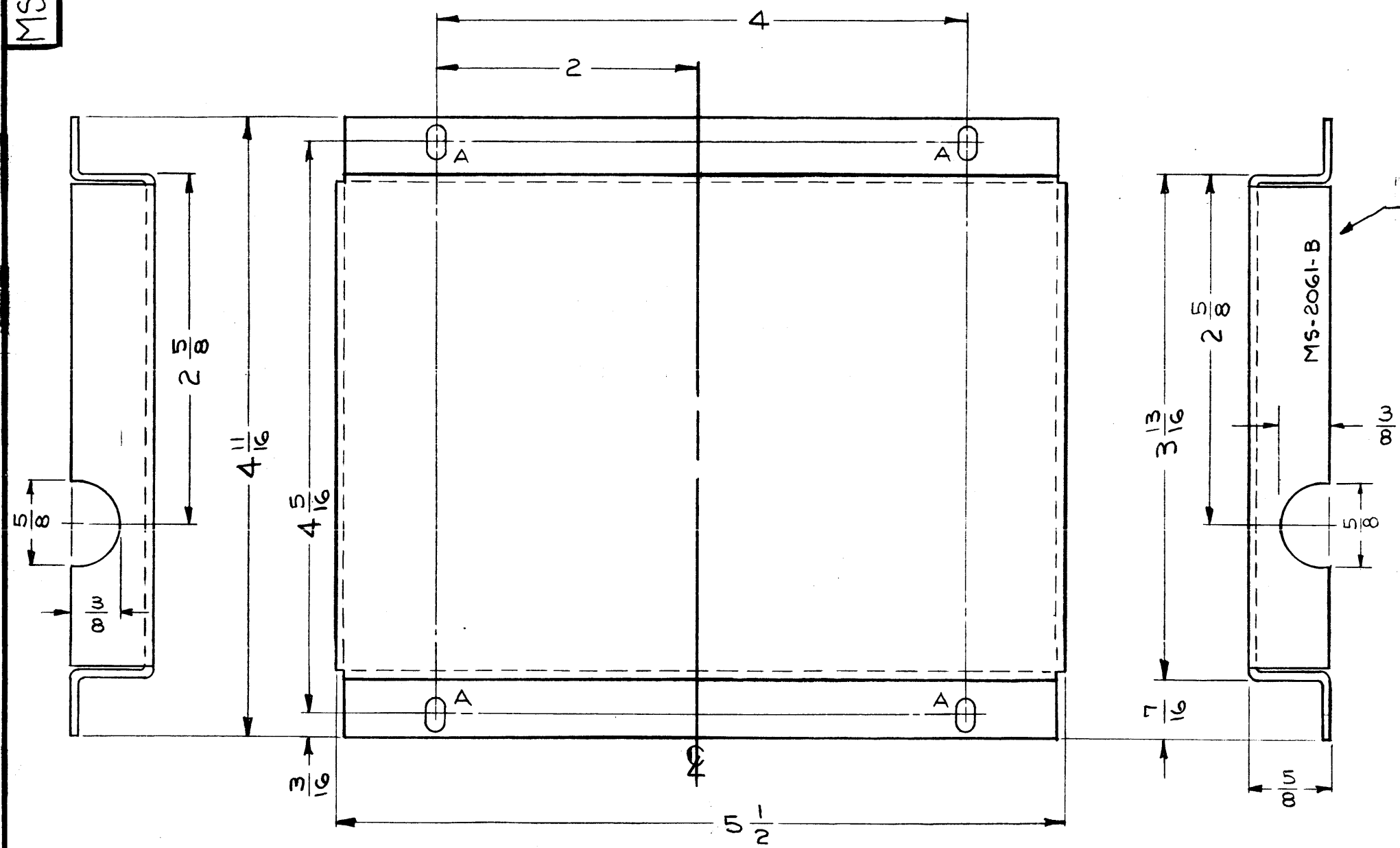


MS-2061 B

LEGEND		
HOLE	DESCRIPTION	REQ.
A	1/8 x 1/4 SLOTS	4



METAL STAMP TMC PART NO.  
1/8 HIGH GOTHIC.

NOTICE TO PERSONS RECEIVING THIS DRAWING

THE TECHNICAL MATERIEL CORPORATION claims proprietary right in the material disclosed hereon. This drawing is issued in confidence for engineering information only and may not be reproduced or used to manufacture anything shown hereon without permission from THE TECHNICAL MATERIEL CORPORATION to the user. This drawing is loaned for mutual assistance and is subject to recall at any time.

Property of:  
THE TECHNICAL MATERIEL CORPORATION  
MAMARONECK, NEW YORK

**UNLESS OTHERWISE SPECIFIED:**

1. USE MATERIAL THICKNESS FOR MAXIMUM RADIUS ON ALL BENDS.
2. ALL ANGULAR BENDS 90°.
3. REMOVE ALL BURRS AND SHARP EDGES.

REF: LD-699

ISSUE ITEM	CHANGED FROM	DATE	CH. NO.	DRAFTS	CHECKER	ENG. APP.
B	2 LEFT SIDE VIEW ADDED	12-3-63	10511			
	1 PICTORIAL UPDATED					
A	2 5/8 WAS 1/2	5/9/60	2247			
	1 2 5/8 WAS 2 1/16					

TOLERANCES		SCALE:
DEC. DIM. ±		MAXIMUM ALLOWABLE TOLERANCES HAVE BEEN DETERMINED AND ANY DEVIATIONS WILL BE CAUSE FOR REJECTION.
FRAC. DIM. ±		REMOVE ALL BURRS AND SHARP EDGES
AN ULAR DIM. ±	1/64	

1	VOX 3-4			2/29/60
REQ. PER UNIT	MODEL	PROJECT NO.	ASS'Y. NO.	DATE
USED ON				

REQ. ITEM	PART NO.	DESCRIPTION	SYMBOL
	.051	THE TECHNICAL MATERIEL CORP. MAMARONECK, NEW YORK	
	STOCK SIZE		
	ALUMINUM	COVER INSULATOR	
	MATERIAL		
5052-H32			
TYPE & TEMPER	HEAT TREAT. SPEC.	DRAWN	FINAL APPROVAL
S404 YELLOW IRIDITE			MS-2061 B
FINISH & SPEC. NO.		ELEC. DES. APP.	MECH. DES. APP.