

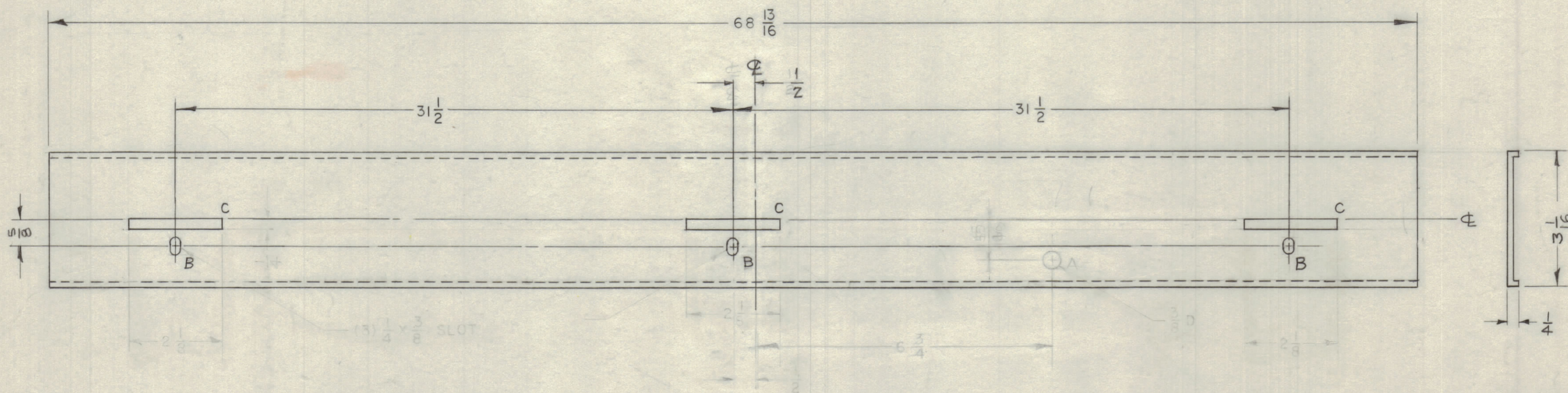
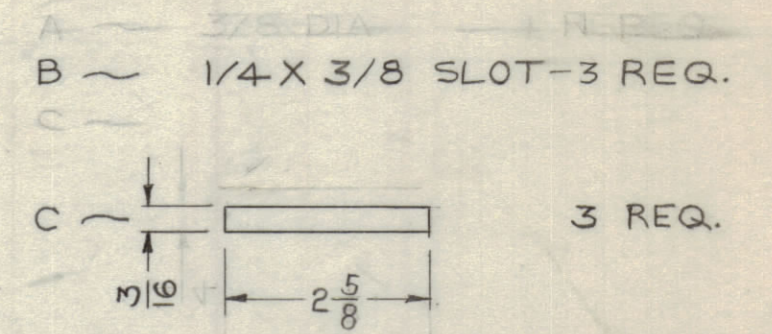
IF IT IS FOUND DESIRABLE TO CHANGE ANY TOLERANCE OR OTHER DETAIL SPECIFIED ON THIS DRAWING NOTIFY THE PURCHASER PROMPTLY.

MAXIMUM ALLOWABLE TOLERANCES HAVE BEEN DETERMINED AND DEVIATIONS WILL BE CAUSE FOR REJECTION. REMOVE ALL BURRS AND SHARP EDGES.

NOTICE TO PERSONS RECEIVING THIS DRAWING

THE TECHNICAL MATERIEL CORPORATION claims proprietary right in the material disclosed hereon. This drawing is issued in confidence for engineering information only and may not be re-produced or used to manufacture any item shown hereon without permission from THE TECHNICAL MATERIEL CORPORATION to the user. This drawing is loaned for mutual assistance and is subject to recall at any time.

Property of:
THE TECHNICAL MATERIEL CORPORATION
MAMARONECK, NEW YORK



MS-2052 D

S-371-DEGREASING PLAIN STEEL PARTS
S-114-ZINC CHROMATE PRIMER
S521 TEXTURED GRAY ENAMEL

UNLESS OTHERWISE SPECIFIED DIMENSIONS ARE IN INCHES AND INCLUDE CHEMICALLY APPLIED OR PLATED FINISHES

| DECIMALS | FRACTIONS |
|-------------|-----------|
| .X ± .05 | ± 1/64 |
| .XX ± .01 | ANGLES |
| .XXX ± .005 | ± 0° 30' |

CUT HERE GUARANTEED 200

| | | | | | | |
|---|----------------------------|---------|-------|-----|-----|-----|
| D | FINISH "S521" WAS "S115" | 5-31-66 | 16237 | HTA | OCB | OCB |
| C | Relocated, Moved in error. | 5/25/60 | 2372 | OCB | OCB | OCB |
| B | DELETE "A" 3/8D | 4/26/60 | 2190 | OCB | OCB | OCB |
| A | 3/16 WAS 1/4 | 3-16-60 | + | CY | OCB | OCB |

| ISSUE | ITEM | CHANGED FROM | DATE | CH. NO. | DRAFTS | CHECKER | ENG. APP. |
|------------|-------------------|---|------|---------|--------|---------|-----------|
| TOLERANCES | | SCALE: | | | | | |
| ALL OTHERS | DEC. DIM. ± | DRILL, PUNCH, COMMERCIAL STOCK SIZES AND MANUFACTURERS TOLERANCES ARE NOT INCLUDED. | | | | | |
| | FRAC. DIM. ± 1/64 | | | | | | |
| | ANGULAR DIM. ± | | | | | | |

| 1 | GPT-40K | AX-214 | | 2/17/60 |
|---------------|---------|-------------|-----------|---------|
| REQ. PER UNIT | MODEL | PROJECT NO. | ASSY. NO. | DATE |
| | | | | |

| REQ. ITEM | PART NO. | DESCRIPTION | SYMBOL |
|-----------|--------------------|---|----------------------------|
| | 20 GA | THE TECHNICAL MATERIEL CORP. MAMARONECK, NEW YORK | |
| | STEEL | PA TRIM, LEFT SIDE | |
| | MILD | REAR | |
| | TYPE & TEMPER | DRAWN: <i>CY</i> | ELEC. DES. APP. <i>OCB</i> |
| | HEAT TREAT. SPEC. | CHECKED | FINAL APPROVAL |
| | SEE NOTE | | MS-2052 D |
| | FINISH & SPEC. NO. | | |