

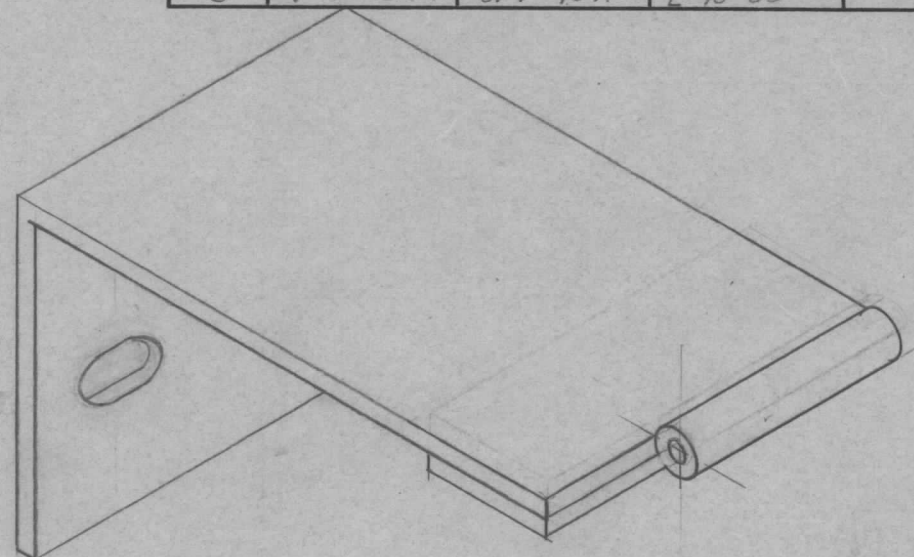
2 1/2" MIN. STEEL HINGE

7/8 LEAF

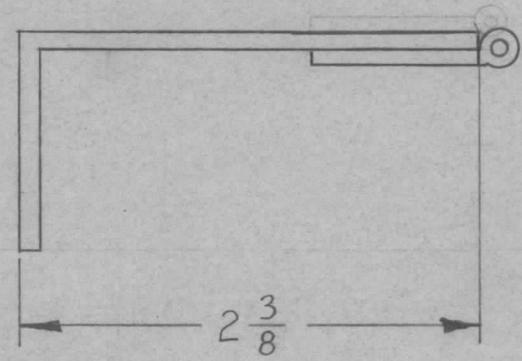
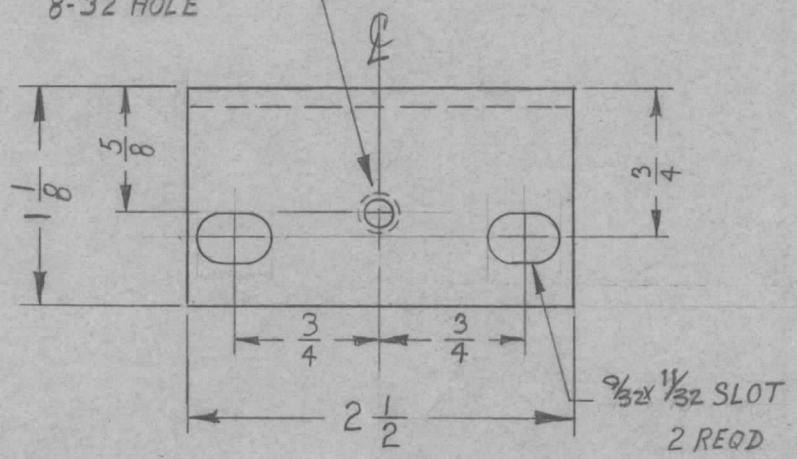
5/32 MIN. PIN, STEEL

SEAM WELD HINGE TO BRACKET AS SHOWN

REQ. PER UNIT	USED ON			MS-2041	A
	MODEL	ASS'Y. NO.	DATE		
3	AX-21A	GPT-40K	2-15-60		



DRILL & TAP FOR
8-32 HOLE



FINISH -
S371- DEGREASING OF PLAIN
STEEL PARTS.
S114 ZINC CHROMATE PRIMER
S220 BLUE GRAY SMOOTH
ENAMEL

REQ.	ITEM	PART NO.	DESCRIPTION				SYMBOL
		11 GAUGE	THE TECHNICAL MATERIEL CORP.				
		STOCK SIZE	MAMARONECK, NEW YORK				
A	1	RELOCATE HINGE TO BTM.	5-16-60	2280	WJ	JCB	MC
		MILD STEEL	BRACKET, DOOR MTG (REAR)				
		MATERIAL	PA FRAME 10K SIDE				
ISSUE ITEM		CHANGED FROM	DATE	CH. NO.	DRAFTS	CHECKER	ENG. APP.
TOLERANCES			SCALE: FULL				
DEC. DIM. ±			MAXIMUM ALLOWABLE TOLERANCES HAVE BEEN DETERMINED AND ANY DEVIATIONS WILL BE CAUSE FOR REJECTION. REMOVE ALL BURRS AND SHARP EDGES				
FRAC. DIM. ± 1/64							
ANGULAR DIM. ±							
TYPE & TEMPER		HEATTREAT. SPEC.	DRAWN		CHECKED		FINAL APPROVAL
SEE NOTE			WJ		JCB		MC
FINISH & SPEC. NO.		ELEC. DES. APP	MECH. DES. APP		MS-2041		
					A		