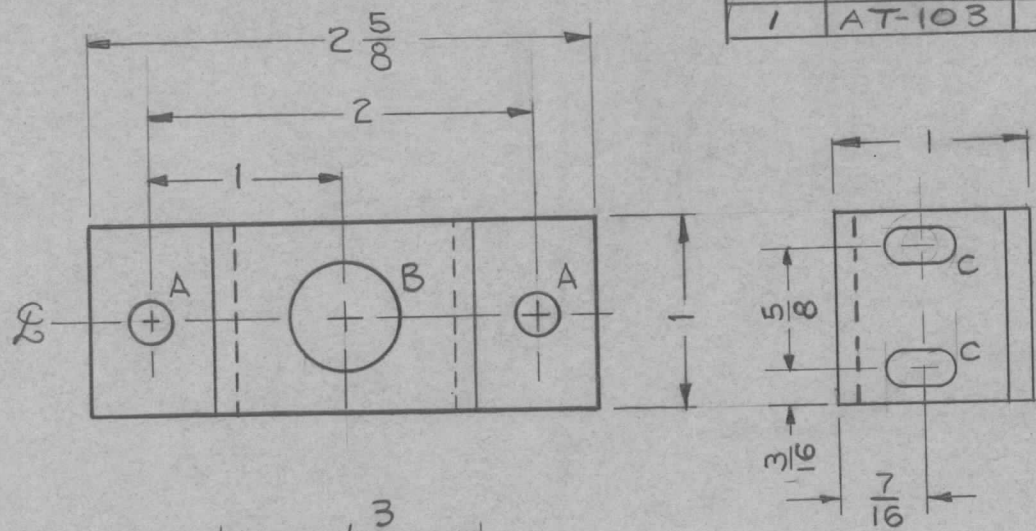
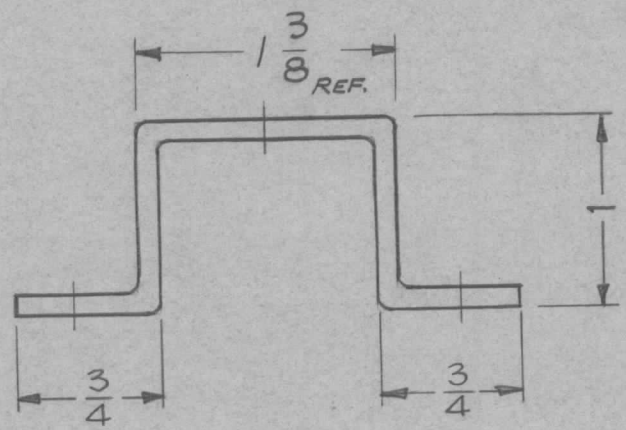


REQ. PER UNIT	USED ON			MS-1978 B
	MODEL	ASS'Y. NO.	DATE	
	3 GPT-40K		1-22-60	
1	AX-209			
	AT-103		10-23-61	



HOLES REQ'D.  
 A ~ 7/32 (.218) DIA. 2 REQ.  
 B ~ 9/16 (.562) 1 REQ.  
 C ~ 11/64 X 11/32 SLOT 2 REQ.



NOTE:  
 1/8 RADIUS BENDS

REQ.	ITEM	PART NO.	DESCRIPTION				SYMBOL		
		1/8 THK. STOCK SIZE	THE TECHNICAL MATERIEL CORP. MAMARONECK, NEW YORK						
B	2	ADD 2 "C" HOLES	5/6/60	2224	CS	JCB	MC	BRACKET, CAPACITOR SHAFT	
	1	"B" WAS 21/32 HOLE							
A	1	"B" HOLE WAS 9/16 D	4-18-60	2151	MR	JCB	MC		
ISSUE	ITEM	CHANGED FROM	DATE	CH. NO.	DRAFTS	CHECKER	ENG. APP.		
TOLERANCES			SCALE: H						
DEC. DIM. ±			MAXIMUM ALLOWABLE TOLERANCES HAVE BEEN DETERMINED AND ANY DEVIATIONS WILL BE CAUSE FOR REJECTION. REMOVE ALL BURRS AND SHARP EDGES						
FRAC. DIM. ± 1/64									
ANGULAR DIM. ±									
5052-H32			TYPE & TEMPER		HEAT TREAT. SPEC.		DRAWN	CHECKED	FINAL APPROVAL
S-404 IRIDITE			FINISH & SPEC. NO.		ELEC. DES. APP		MECH. DES. APP		MS-1978 B