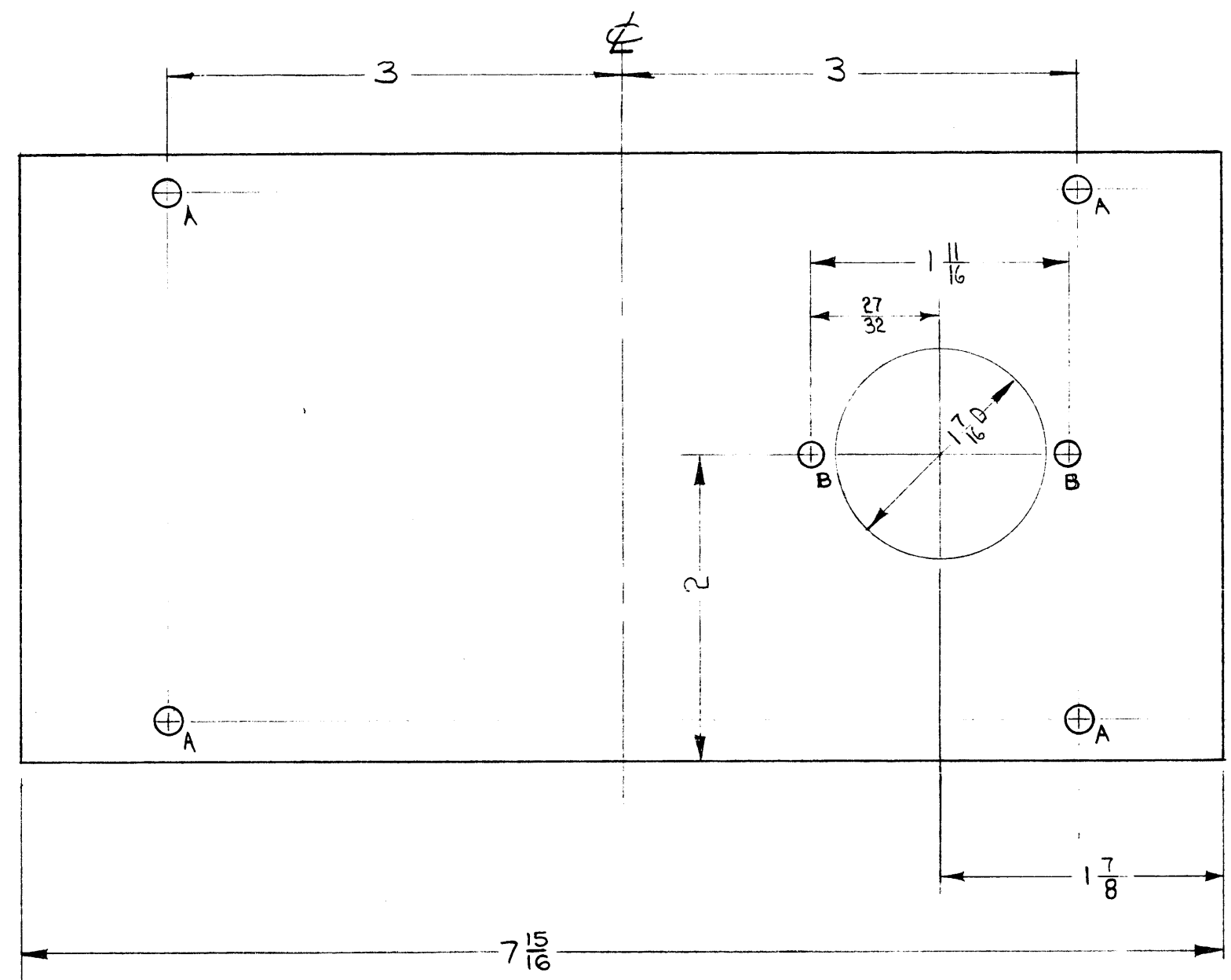


MS-1965



- A- $\frac{11}{64}$ (.171) D 4 REQ.
- B- $\frac{5}{32}$ (.156) D 2 REQ.

NOTICE TO PERSONS RECEIVING THIS DRAWING

THE TECHNICAL MATERIEL CORPORATION claims proprietary right in the material disclosed hereon. This drawing is issued in confidence for engineering information only and may not be reproduced or used to manufacture anything shown hereon without permission from THE TECHNICAL MATERIEL CORPORATION to the user. This drawing is loaned for mutual assistance and is subject to recall at any time.

Property of:
THE TECHNICAL MATERIEL CORPORATION
 MAMARONECK, NEW YORK

ISSUE	ITEM	CHANGED FROM	DATE	CH. NO.	DRAFTS	CHECKER	ENG. APP.
TOLERANCES			SCALE: FULL				
DEC. DIM. ±			MAXIMUM ALLOWABLE TOLERANCES HAVE BEEN DETERMINED AND ANY DEVIATIONS WILL BE CAUSE FOR REJECTION.				
FRAC. DIM. ± $\frac{1}{64}$			REMOVE ALL BURRS AND SHARP EDGES				
ANGULAR DIM. ±							

REQ. PER UNIT	MODEL	PROJECT NO.	ASS'Y. NO.	DATE
1	DCP-1			1-20-60
USED ON				

REQ. ITEM	PART NO.	DESCRIPTION	SYMBOL
.051 THK.		THE TECHNICAL MATERIEL CORP. MAMARONECK, NEW YORK	
STOCK SIZE			
ALUMINUM		COVER PLATE	
MATERIAL		POWER CONTROL PANEL	
5052-H32		DRAWN	CHECKED
TYPE & TEMPER	HEAT TREAT. SPEC.	FINAL APPROVAL	
S404 YEL. IRIDITE		MS-1965	
FINISH & SPEC. NO.		ELEC. DES. APP.	MECH. DES. APP.