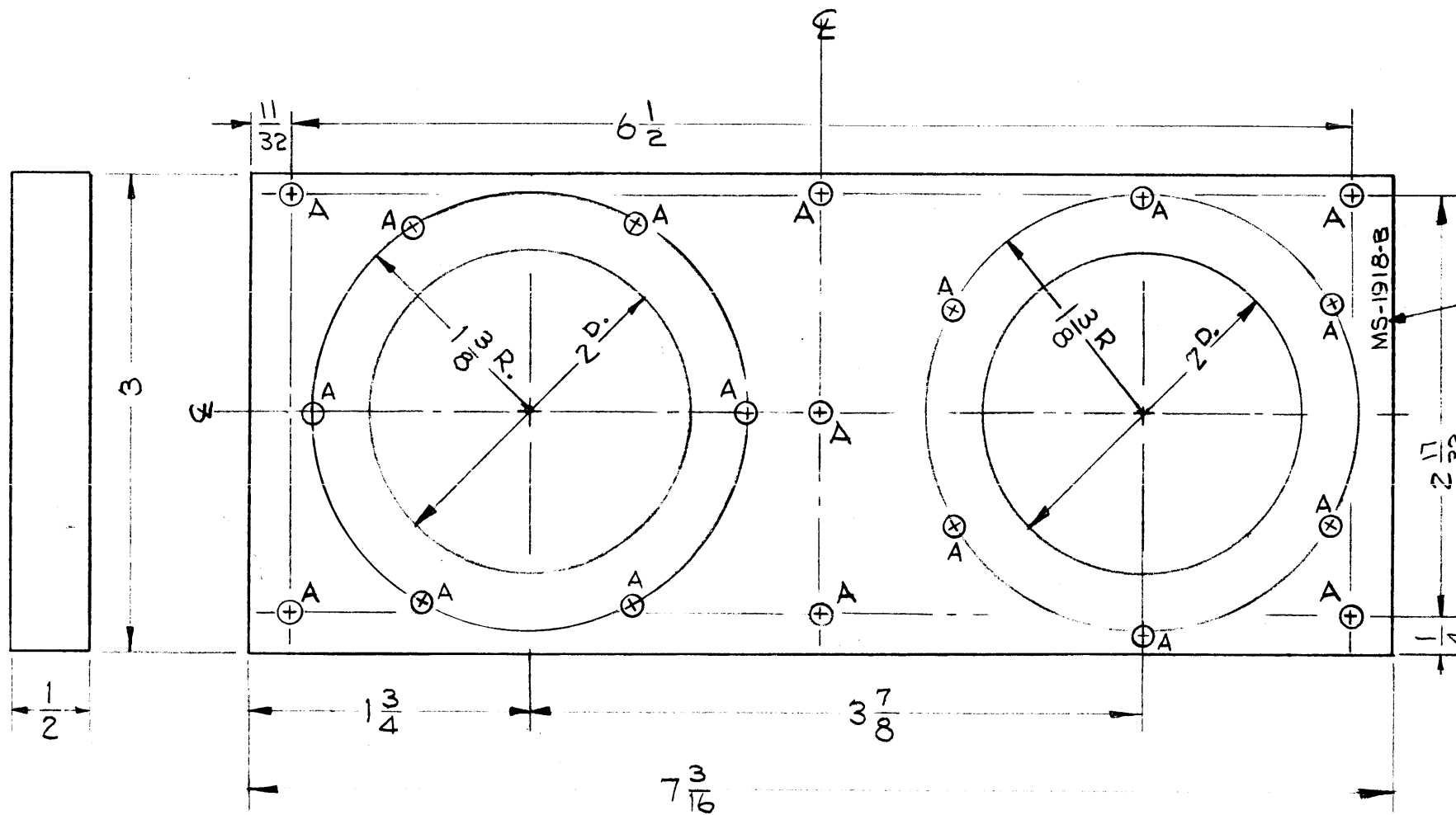


Holes Req
A ~ Drill & Tapped for 8-32 Screws 19



NOTE ~
HOLES ON 1 3/8" R.
ARE 60° APART.

METAL STAMP TMC PART NO.
081 HIGH GOTHIC

NOTICE TO PERSONS RECEIVING THIS DRAWING
THE TECHNICAL MATERIEL CORPORATION claims proprietary right in the material disclosed hereon. This drawing is issued in confidence for engineering information only and may not be reproduced or used to manufacture anything shown hereon without permission from THE TECHNICAL MATERIEL CORPORATION to the user. This drawing is loaned for mutual assistance and is subject to recall at any time.

Property of:
THE TECHNICAL MATERIEL CORPORATION
MAMARONECK, NEW YORK

ISSUE	ITEM	CHANGED FROM	DATE	CH. NO.	DRAFTS	CHECKER	ENG. APP.
B	1	DIM. 1 1/32 WAS 1/4; 6 1/2 WAS 6 1/16; 2 17/32 WAS 2 5/8	12/23/63	10631			
A	1	12 Holes Relocated On 1 3/8 R.	1-17-62	6214			
TOLERANCES		SCALE:					
DEC. DIM. ±		MAXIMUM ALLOWABLE TOLERANCES HAVE BEEN DETERMINED AND ANY DEVIATIONS WILL BE CAUSE FOR REJECTION.					
FRAC. DIM. ±		REMOVE ALL BURRS AND SHARP EDGES					
ANGULAR DIM. ±							

REQ. PER UNIT	MODEL	PROJECT N.	ASS'Y. NO.	DATE
1	RFC-1			11-22-60
1	RFD-1			12-4-59
1	RFB-1			12-4-59
USED ON				

REQ. ITEM	PART NO.	DESCRIPTION	SYMBOL
	1/2 x 3	THE TECHNICAL MATERIEL CORP. MAMARONECK, NEW YORK	
	ALUMINUM	SPACER, MOUNTING CAPACITOR	
	2024-T4		
	S404 Yellow IRIDITE		
		DRAWN	CHECKED
			FINAL APPROVAL
			MS-1918 B