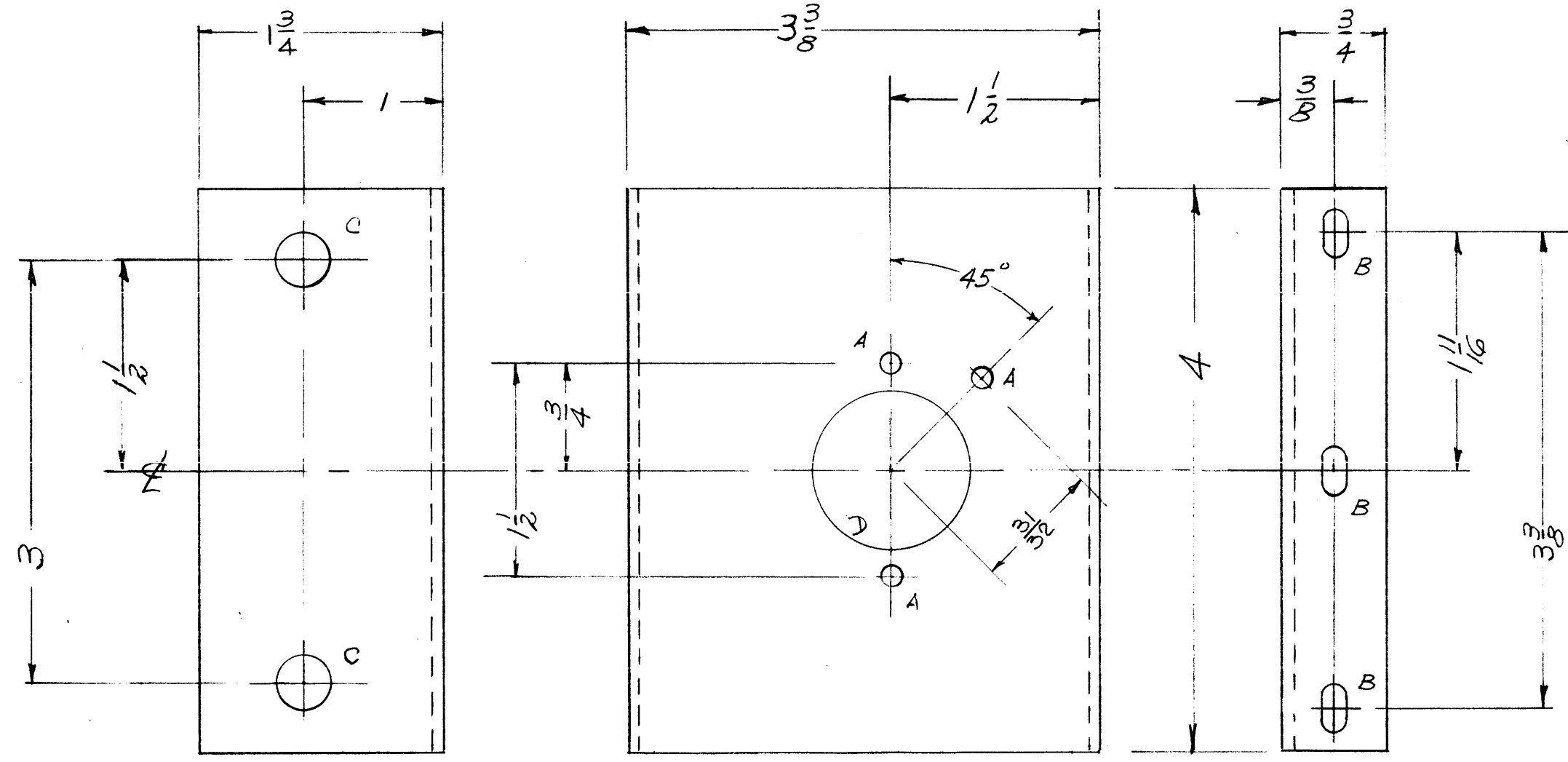


MS-1911 A

HOLE LEGEND

A - $\frac{5}{32}$ (.156) D.	3 REQ.
B - $\frac{11}{64} \times \frac{11}{32}$ SLOT	3 REQ.
C - $\frac{3}{8}$ (.375) D.	2 REQ.
D - $\frac{1}{8}$ (.125) D.	1 REQ.



NOTICE TO PERSONS RECEIVING THIS DRAWING

THE TECHNICAL MATERIEL CORPORATION claims proprietary right in the material disclosed hereon. This drawing is issued in confidence for engineering information only and may not be reproduced or used to manufacture anything shown hereon without permission from THE TECHNICAL MATERIEL CORPORATION to the user. This drawing is loaned for mutual assistance and is subject to recall at any time.

Property of:
THE TECHNICAL MATERIEL CORPORATION
 MAMARONECK, NEW YORK

REF: LD-638

A	1	ON 45° A° HOLE, 31/32 DIM WAS 29/32	6-19-63	931A	E	WJ	WJ
ISSUE ITEM	CHANGED FROM	DATE	CH. NO.	DRAFTS	CHECKER	ENG. APP.	
TOLERANCES		SCALE: <i>CPD</i>					
DEC. DIM. ±		MAXIMUM ALLOWABLE TOLERANCES HAVE BEEN DETERMINED AND ANY DEVIATIONS WILL BE CAUSE FOR REJECTION.					
FRAC. DIM. ± <i>1/64</i>		REMOVE ALL BURRS AND SHARP EDGES					
ANGULAR DIM. ±							

1	AK-100			11-4-59
REQ. PER UNIT	MODEL	PROJECT NO.	ASS'Y. NO.	DATE
USED ON				

REQ. ITEM	PART NO.	DESCRIPTION		SYMBOL
	.081	THE TECHNICAL MATERIEL CORP. MAMARONECK, NEW YORK		
	STOCK SIZE			
	ALUMINUM	BRACKET, RELAY		
	MATERIAL			
5052-H32		11/4/59	<i>[Signature]</i>	<i>[Signature]</i>
TYPE & TEMPER	HEAT TREAT. SPEC.	DRAWN	CHECKED	FINAL APPROVAL
5404 IRIDITE Yel.				
FINISH & SPEC. NO.		ELEC. DES. APP.	MECH. DES. APP.	
				MS-1911 A