

MS-1884

HOLES

A - 3/16 (.187) DIA.

B - 5/32 (.156) "

C - 7/8 (.875) " SEE DETAIL

D - MOUNTING FOR NT-129-632-4

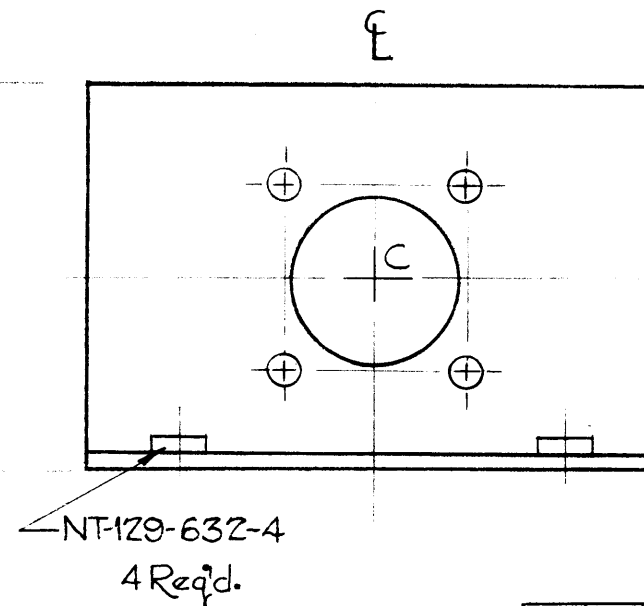
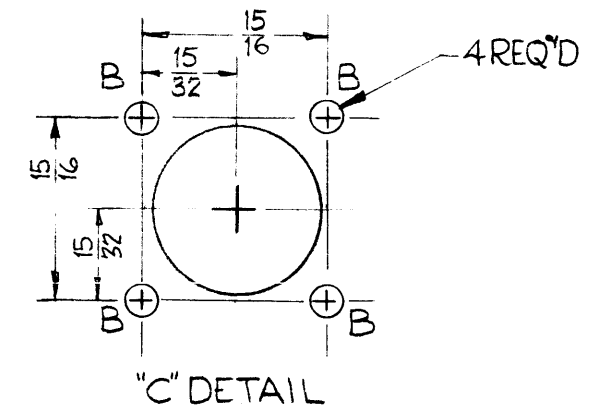
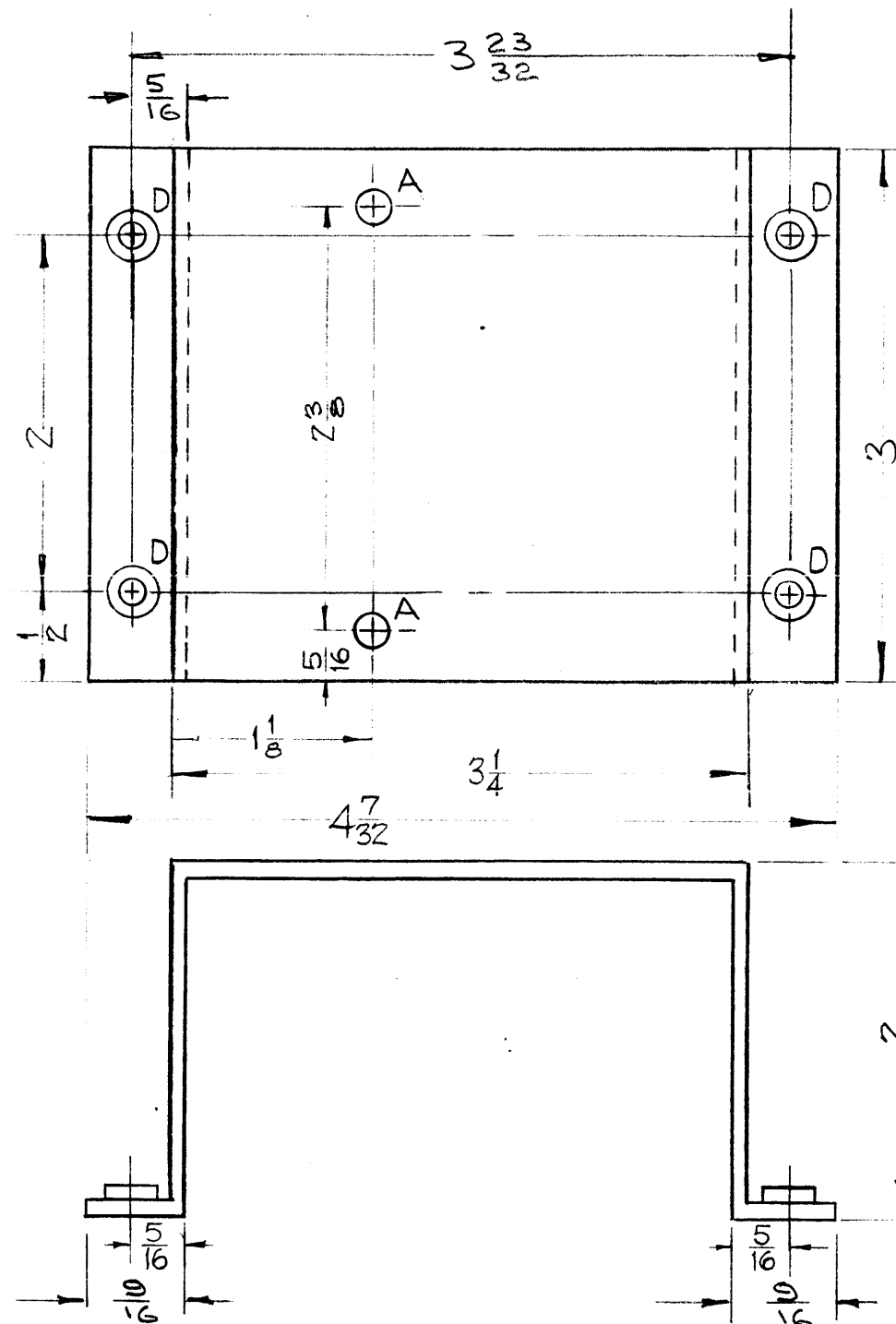
REQ'D

2

4

1

4



NOTE TO PERSONS RECEIVING THIS DRAWING

THE TECHNICAL MATERIEL CORPORATION claims proprietary right in the material disclosed hereon. This drawing is issued in confidence for engineering information only and may not be reproduced or used to manufacture anything shown hereon without permission from THE TECHNICAL MATERIEL CORPORATION to the user. This drawing is loaned for mutual assistance and is subject to recall at any time.

Property of:

THE TECHNICAL MATERIEL CORPORATION  
MAMARONECK, NEW YORK

ISSUE	ITEM	CHANGED FROM	DATE	CH. NO.	DRAFTS	CHECKER	ENG. APP.
TOLERANCES		SCALE:					
DEC. DIM. ±		MAXIMUM ALLOWABLE TOLERANCES HAVE BEEN DETERMINED AND ANY DEVIATIONS WILL BE CAUSE FOR REJECTION.					
FRAC. DIM. ±		REMOVE ALL BURRS AND SHARP EDGES					
ANGULAR DIM. ±							

1	SBT-1K			9-23-59
REQ. PER UNIT	MODEL	PROJECT NO.	ASS'Y. NO.	DATE
USED ON				

REQ. ITEM	PART NO.	DESCRIPTION	SYMBOL
.081		THE TECHNICAL MATERIEL CORP.	
STOCK SIZE		MAMARONECK, NEW YORK	
ALUMINUM		BRACKET, CAPACITOR	
		BLOWER	
5052-H32			
TYPE & TEMPER	HEAT TREAT. SPEC.	DRAWN	CHECKED
S-404	YELLOW IRIDITE		
FINISH & SPEC. NO.		ELEC. DES. APP.	MECH. DES. APP.
			MS-1884