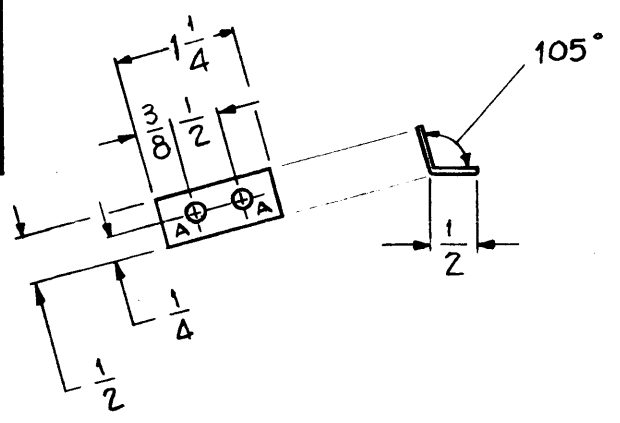
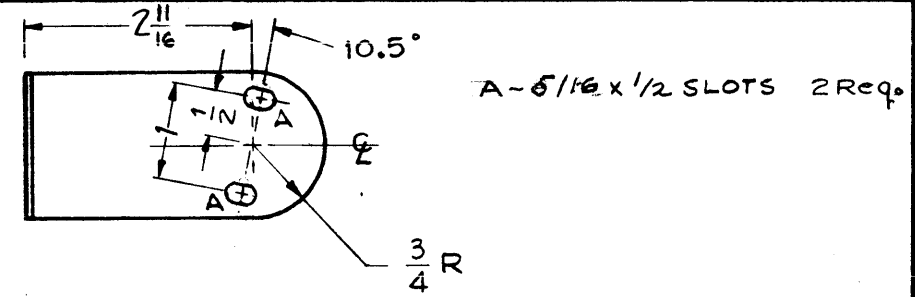


MS-1848C

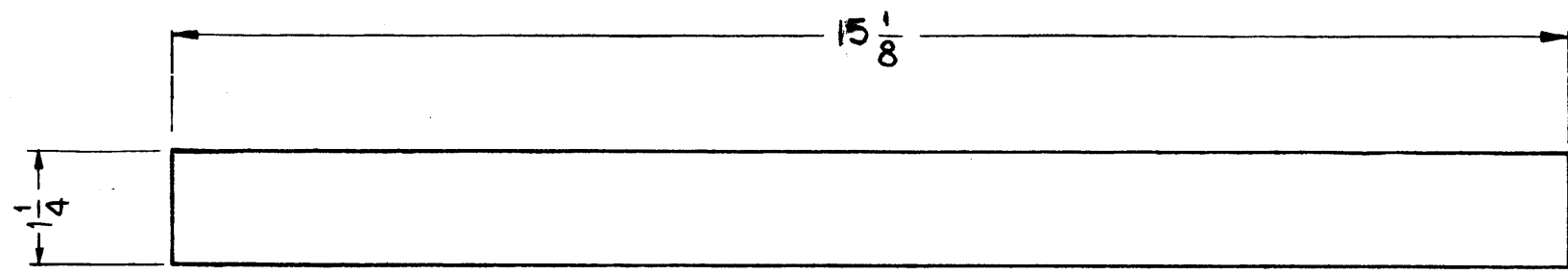
A ~ 3/16 (.187) DIA 2 Req.



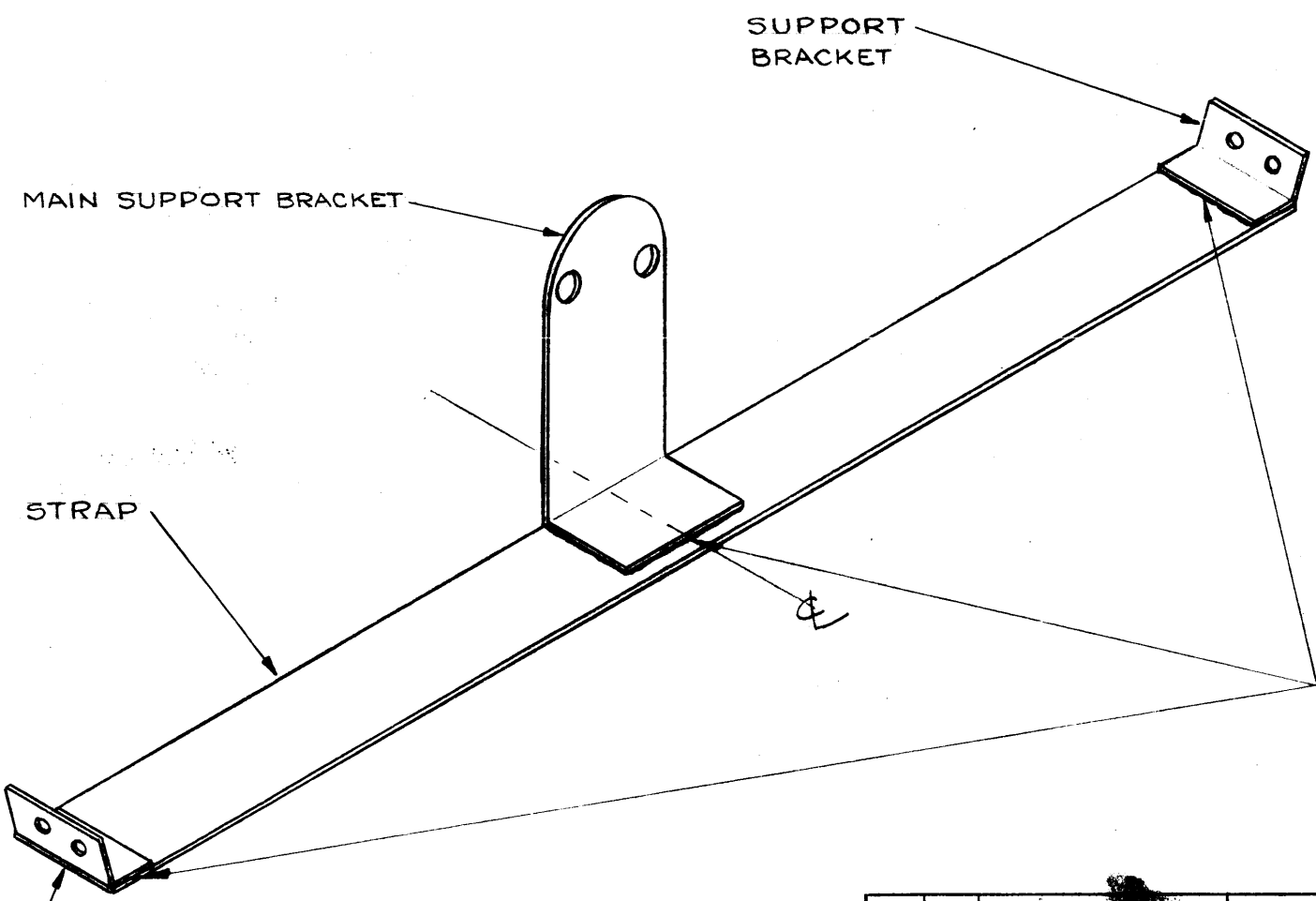
MAT'L - BRASS, .064, FINISH - S-404 IRIDITE
BRACKET, SUPPORT TUBE STRAP
(2 REQ. PER UNIT)



MAT'L - BRASS, .064, FINISH S-404 IRIDITE
BRACKET, MAIN SUPPORT TUBE STRAP
(1 REQ. PER UNIT)



MAT'L SOFT COPPER, .032,
STRAP
(1 REQ. PER UNIT)



NOTICE TO PERSONS RECEIVING THIS DRAWING
THE TECHNICAL MATERIEL CORPORATION claims proprietary right in the material disclosed hereon. This drawing is issued in confidence for engineering information only and may not be reproduced or used to manufacture anything shown hereon without permission from THE TECHNICAL MATERIEL CORPORATION to the user. This drawing is loaned for mutual assistance and is subject to recall at any time.

Property of:
THE TECHNICAL MATERIEL CORPORATION
MAMARONECK, NEW YORK

FINISH NOTE
SILVER PLATE .0003
AND CLEAR IRIDITE

ISSUE	ITEM	CHANGED FROM	DATE	CH. NO.	DRAFTS	CHECKER	ENG. APP.
C	1	3 7/16 DIM. WAS 3 1/4	9/21/60	3014	cy	JHE	JHE
B	1	3/4 W 3/8 9/32 TO SLOTS 2 11/16 W 2 3/8 9/16 x 1/2	9/23/59	1342	pld.	JHE	JHE
A	1	DWG. NO. WAS A-1647	9/26/59	1231	16	JHE	JHE

TOLERANCES		SCALE:
DEC. DIM. ±		MAXIMUM ALLOWABLE TOLERANCES HAVE BEEN DETERMINED AND ANY DEVIATIONS WILL BE CAUSE FOR REJECTION. REMOVE ALL BURRS AND SHARP EDGES
FRAC. DIM. ±		
ANGULAR DIM. ±		

REQ. PER UNIT	MODEL	PROJECT N.	ASS'Y. NO.	DATE
1	GPT 10K	REF DECK		2-20-59
				USED ON

REQ. ITEM	PART	DESCRIPTION	SYMBOL
	AS SHOWN	THE TECHNICAL MATERIEL CORP. MAMARONECK, NEW YORK	
	STOCK SIZE		
	AS SHOWN	4CX5000A TUBE STRAP GPT 10K	
	MATERIAL		
		J.C. BIELE	JHE
		DRAWN	CHECKED
			FINAL APPROVAL
	SEE NOTE		
	FINISH & SPEC. NO.	ELEC. DES. APP.	MECH. DES. APP.
			MS-1848C