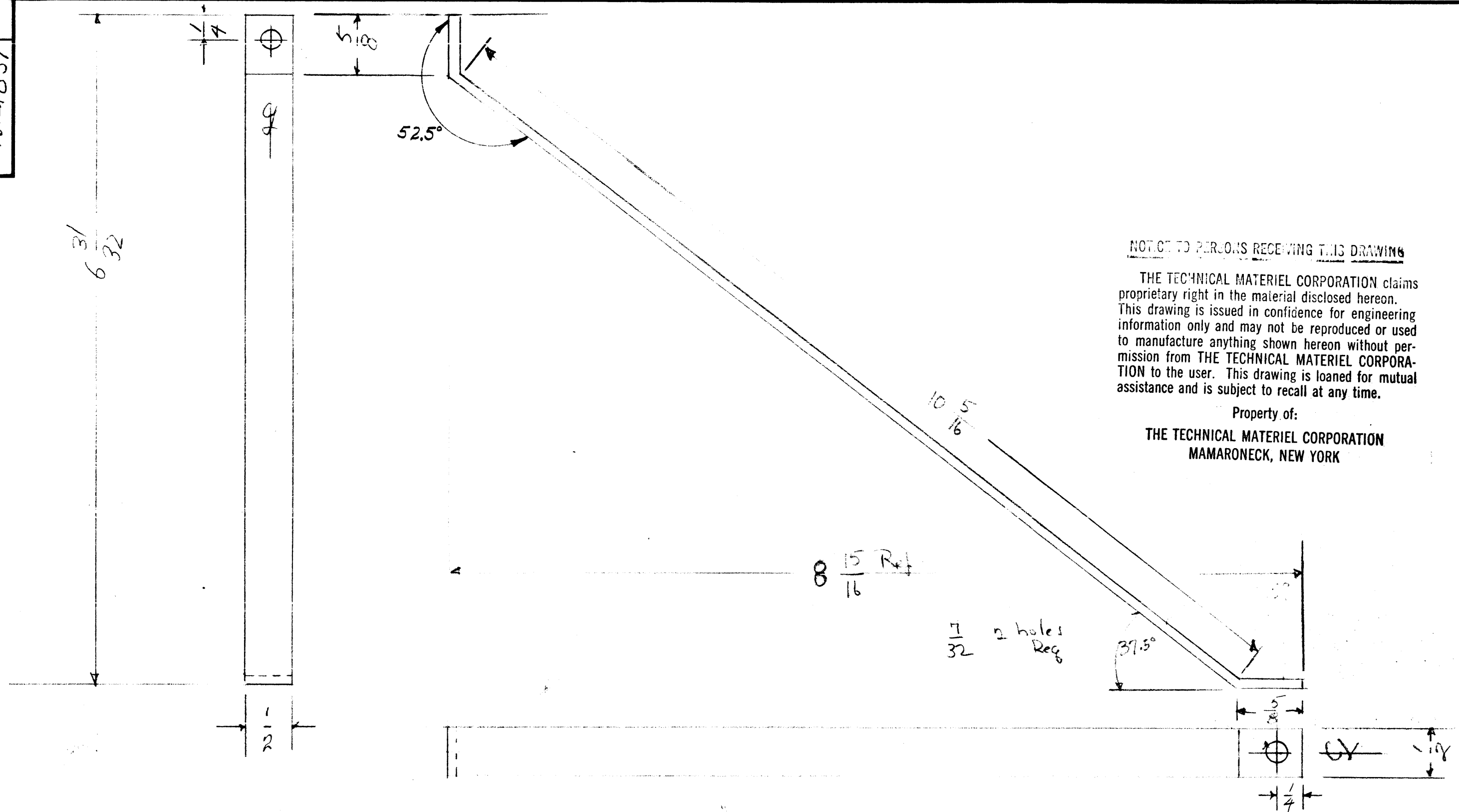


MS-1837



NOTICE TO PERSONS RECEIVING THIS DRAWING

THE TECHNICAL MATERIEL CORPORATION claims proprietary right in the material disclosed hereon. This drawing is issued in confidence for engineering information only and may not be reproduced or used to manufacture anything shown hereon without permission from THE TECHNICAL MATERIEL CORPORATION to the user. This drawing is loaned for mutual assistance and is subject to recall at any time.

Property of:
THE TECHNICAL MATERIEL CORPORATION
MAMARONECK, NEW YORK

Note: Finish
S 105 Cad. Plate .0005
S 424 ipidite yellow

ISSUE	ITEM	CHANGED FROM	DATE	CH. NO.	DRAFTS	CHECKER	ENG. APP.
TOLERANCES			SCALE:				
DEC. DIM. ±			MAXIMUM ALLOWABLE TOLERANCES HAVE BEEN DETERMINED AND ANY DEVIATIONS WILL BE CAUSE FOR REJECTION: REM VE ALL BURRS AND SHARP EDGE				
FRAC. DIM. ±							
ANGULAR DIM. ±							

2	RAK-7		ME	
REQ. PER UNIT	MODEL	PROJECT NO.	ASSY. NO.	DATE
USED ON				

REQ. ITEM	PART NO.	DESCRIPTION	SYMBOL
1/2 x 1/8		THE TECHNICAL MATERIEL CORP.	
STOCK SIZE		MAMARONECK, NEW YORK	
A.18 Steel.		Support Regulator	
MATERIAL			
TYPE & TEMPER		DRAWN	CHECKED
HEATTREAT. SPEC.			
FINISH & SPEC. NO.			
ELEC. DES. APP.		MECH. DES. APP.	

MS-1837