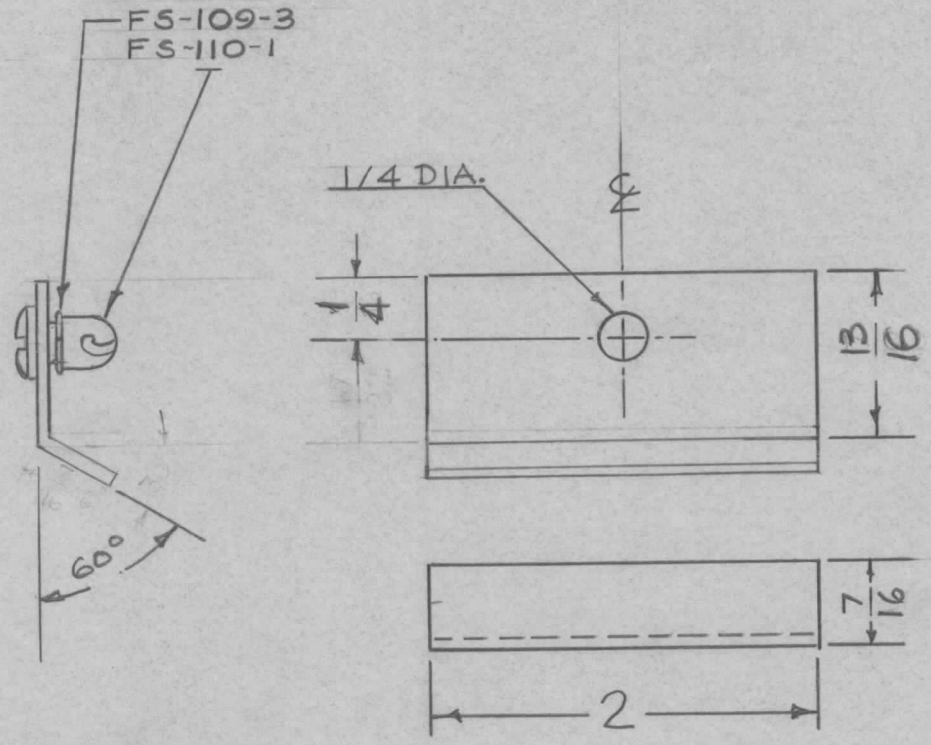


REQ. PER. UNIT	USED ON			MS1827	B
	MODEL	ASS'Y. NO.	DATE		
1	RFD-1	PAL-1K	6-22-59		



UNLESS OTHERWISE SPECIFIED  
DIMENSIONS ARE IN INCHES AND INCLUDE  
CHEMICALLY APPLIED OR PLATED FINISHES

DECIMALS	TOLERANCES	FRACTIONS
.X ± .05		± 1/64
.XX ± .01		ANGLES
.XXX ± .005		± 0° 30'

CUT HERE  
GUARANTEED  
2-56

ISSUE	ITEM	CHANGED FROM	DATE	CH. NO.	DRAFTS	CHECKER	ENG. APP.	REQ. ITEM	PART NO.	DESCRIPTION	SYMBOL	
									.064	THE TECHNICAL MATERIEL CORP. MAMARONECK, NEW YORK		
B	2	DIM 1/4 W 25 5/16	11/1/60	3353					STOCK SIZE			
	1	DIM 13/16 WAS 7/8							Aluminum	BRACKET, FILTER		
A	2	5/16 DIM. & 30° BEND ADDED	8/21/59	1215					MATERIAL			
	1	17/32 DIM. DELETED							5052-H32			
TOLERANCES			SCALE:					TYPE & TEMPER	HEAT TREAT. SPEC.	DRAWN	CHECKED	FINAL APPROVAL
DEC. DIM. ±			MAXIMUM ALLOWABLE TOLERANCES HAVE BEEN DETERMINED AND ANY DEVIATIONS WILL BE CAUSE FOR REJECTION. REMOVE ALL BURRS AND SHARP EDGES					S404 IRIDITE				MS1827
FRAC. DIM. ±												
ANGULAR DIM. ±												