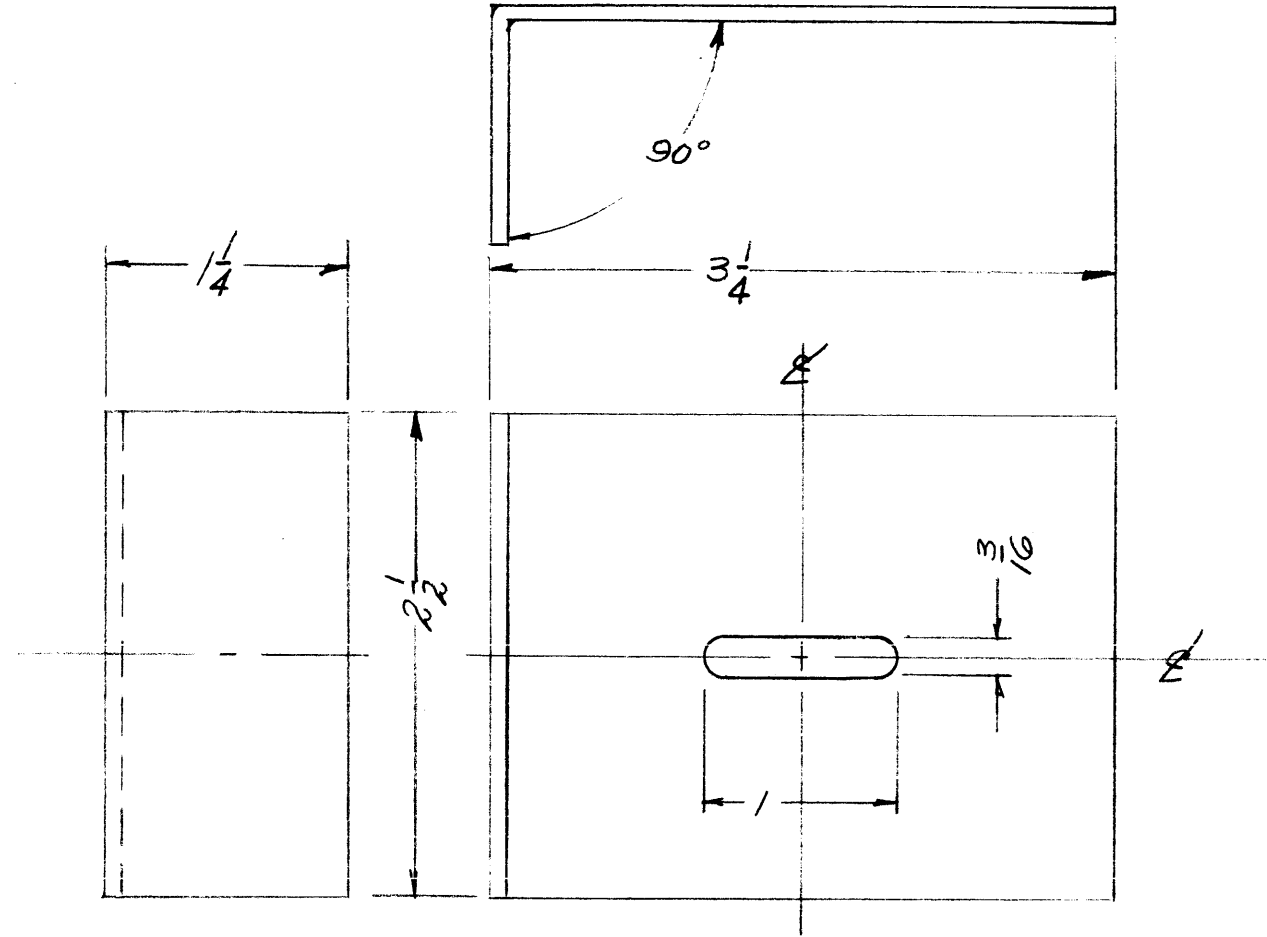


MS-1806



NOTICE TO PERSONS RECEIVING THIS DRAWING

THE TECHNICAL MATERIEL CORPORATION claims proprietary right in the material disclosed hereon. This drawing is issued in confidence for engineering information only and may not be reproduced or used to manufacture anything shown hereon without permission from THE TECHNICAL MATERIEL CORPORATION to the user. This drawing is loaned for mutual assistance and is subject to recall at any time.

Property of:

THE TECHNICAL MATERIEL CORPORATION  
MAMARONECK, NEW YORK

ISSUE	ITEM	CHAN	ED	FR	M	DATE	CH. NO.	DRAFTS	CHECKER	ENG. APP.
TOLERANCE						SCALE: <i>1/2"</i>				
DEC. DIM. ±						MAXIMUM ALLOWABLE TOLERANCES HAVE BEEN DETERMINED AND ANY DEVIATIONS WILL BE CAUSE FOR REJECTION: REMOVE ALL BURRS AND SHARP EDGES				
FRAC. DIM. ± <i>1/64</i>										
AN ULAR DIM. ± <i>.50</i>										

2	CONSOLE			6-2-39
REQ. PER UNIT	MODEL	PROJECT NO.	ASSY. NO.	DATE
USED ON				

REQ.	ITEM	PART NO.	DESCRIPTION		SYMBOL
		.081 THICK	THE TECHNICAL MATERIEL CORP.		
		STOCK SIZE	MAMARONECK, NEW YORK		
		ALUMINUM	BRACKET, EQUIPMENT SUPPORT		
		MATERIAL			
		5052-H32			
		TYPE & TEMPER	HEATTREAT. SPEC.	DRAWN	CHECKED
		5404 IRIDIOTE		<i>[Signature]</i>	<i>[Signature]</i>
		FINISH & SPEC. NO.	ELEC. DES. APP.	MECH. DES. APP.	MS-1806