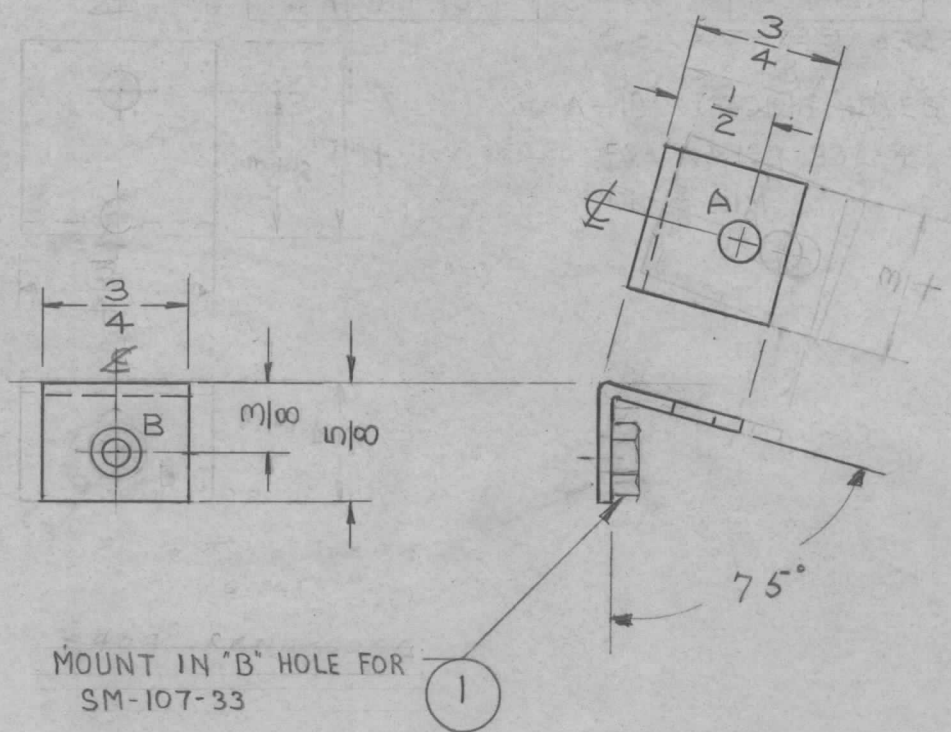
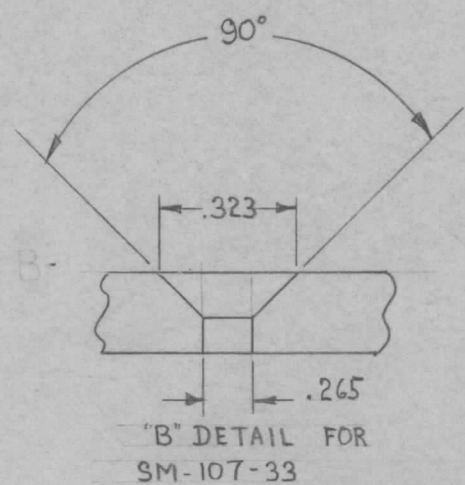


REQ. PER. UNIT	USED ON		
	MODEL	ASS'Y. NO.	DATE
2	AX-107	GPT-10K	3-24-59
3	AX-173	GPT-10K	
3	AM-109	GPT-40K	1-27-60

MS-1684 EJ

A ~  $\frac{13}{64}$  DIA. HOLE 1 REQ.



MOUNT IN "B" HOLE FOR SM-107-33

ISSUE	ITEM	CHANGED FROM	DATE	CH. NO.	DRAFTS	CHECKER	ENG. APP.	REQ.	ITEM	PART NO.	DESCRIPTION	SYMBOL							
E	1	PICTORIAL CLARIFIED	9-9-60	2931	CS			1	1	SM-107-33	INSERT HEX								
D	1	AT-101 DELETED	3-14-60	~	MF														
C	2	SM-107-33 WAS NT-129-832-4	2-4-60	1833	W.F.	W	W												
	1	"A" HOLE WAS .191-194, 2 REQ.																	
B	1	GPT-40K ADDED	1-27-60	-	W.F.	J	W												
A	1	5404-IRIDITE WAS S101 CAUSTIC DIP	12-8-59	1001	P		EMN												
TOLERANCES			SCALE: 1/10					5052-H32											
DEC. DIM. ±			MAXIMUM ALLOWABLE TOLERANCES HAVE BEEN DETERMINED AND ANY DEVIATIONS WILL BE CAUSE FOR REJECTION. REMOVE ALL BURRS AND SHARP EDGES					TYPE & TEMPER		HEATTREAT. SPEC.		DRAWN		CHECKED		FINAL APPROVAL			
FRAC. DIM. ± 1/64								3404-YEL IRIDITE											
ANGULAR DIM. ±								FINISH & SPEC. NO.		ELEC. DES. APP		MECH. DES. APP							
												MS-1684 E							