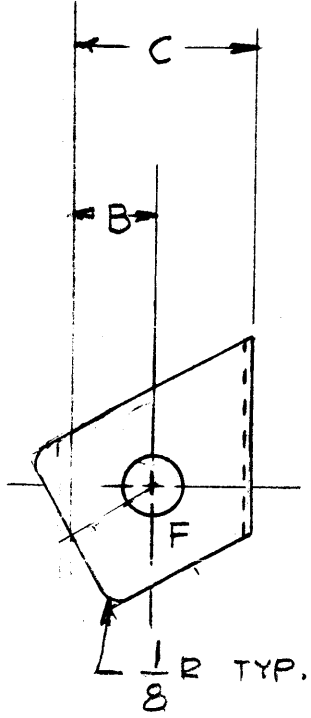
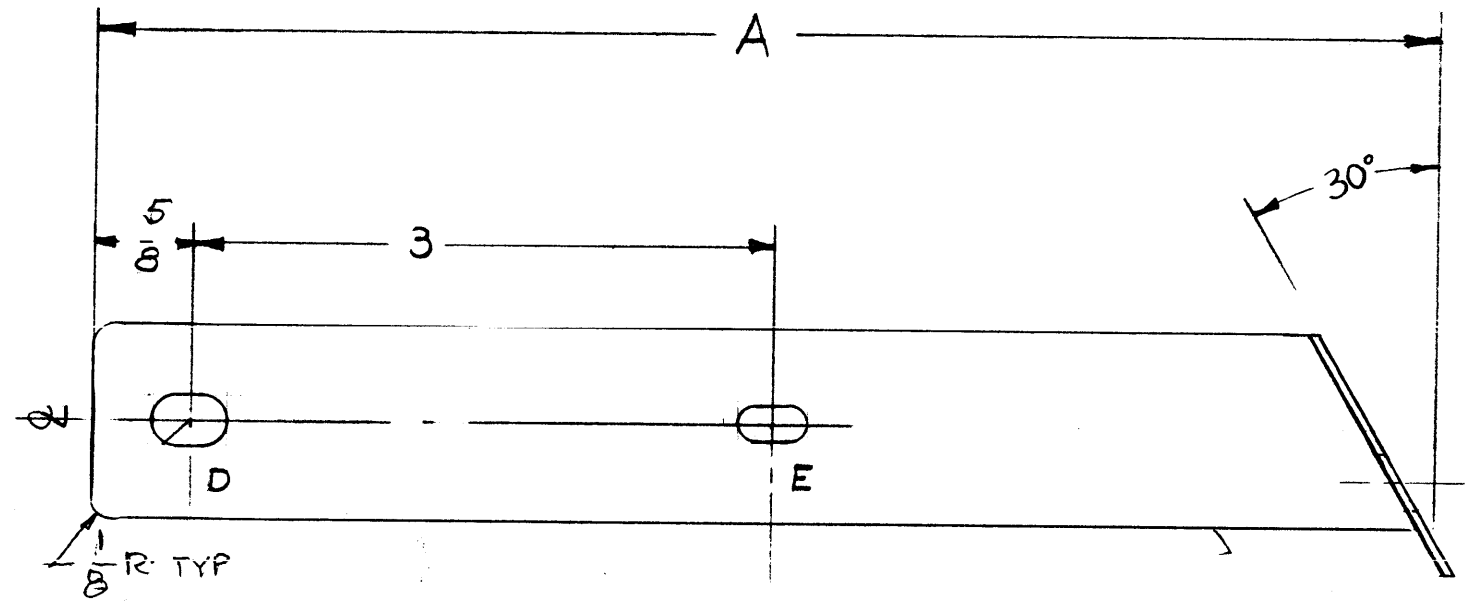


MS-1650 F

DIMENSIONS	A	B	C
MS-1650-1	7	1/2	1
- 2	6 31/32	15/32	31/32
- 3	6 5/16	7/16	15/16
- 4	6 29/32	13/32	29/32
- 5	6 7/8	3/8	7/8



D - 1/4 x 3/8 SLOT 1 REQ'D
 E - 1/64 x 3/8 SLOT 1 "
 F - 5/16 DIA. 1 "

FINISH: SILVER PLATE .0003
 & CLEAR IRIDITE

NOTICE TO PERSONS RECEIVING THIS DRAWING

THE TECHNICAL MATERIEL CORPORATION claims proprietary right in the material disclosed herein. This drawing is issued in confidence and containing information only and may not be used or used to manufacture any kind shown hereon without permission from THE TECHNICAL MATERIEL CORPORATION to the user. This drawing is loaned for mutual assistance and is subject to recall at any time.

Property of:
 THE TECHNICAL MATERIEL CORPORATION
 MAMARONECK, NEW YORK

ISSUE	ITEM	CHANGED FROM	DATE	CH. NO.	DRAFTS	CHECKER	ENG. APP.
F	1	ON SLOTTED END 1/8 R WAS 1/2 R	2-19-91		CDL	T. C	
E	1	ON SLOTTED END, 1/2 R WAS (2) 1/8 R (CORNERS)	3-7-63	8407			
D	1	1/2 R WAS (2) 1/8 CORNER RADIUS	1-4-62	6147	LL		
C	1	1/8 R WAS 1/4 R	9-7-60	2907	RU		
B	1	1/4 R WAS 1/8 R	5-26-60	2375	A		
A	1	1/32 TO .016 STOCK SIZE 1/2 TO 5/8	3/25/59		IDRILL		

TOLERANCES		SCALE:
DEC. DIM. ±		MAXIMUM ALLOWABLE TOLERANCES HAVE BEEN DETERMINED AND ANY DEVIATIONS WILL BE CAUSE FOR REJECTION. REMOVE ALL BURRS AND SHARP EDGES
FRAC. DIM. ±		
ANGULAR DIM. ±		

REQ. PER UNIT	MODEL	PROJECT NO.	ASS'Y. NO.	DATE
1 EACH	GPT-10K	A X-137		3-5-59
USED ON				

REQ. ITEM	PART NO.	DESCRIPTION	SYMBOL
	.016 STOCK SIZE	THE TECHNICAL MATERIEL CORP. MAMARONECK, NEW YORK	
	COPPER	R.F. CONNECTOR STRAPS	
	SOFT	GPT-10K	
	TYPE & TEMPER	HEAT TREAT. SPEC.	
	SEE NOTE		
	FINISH & SPEC. NO.	ELEC. DES. APP.	MECH. DES. APP.