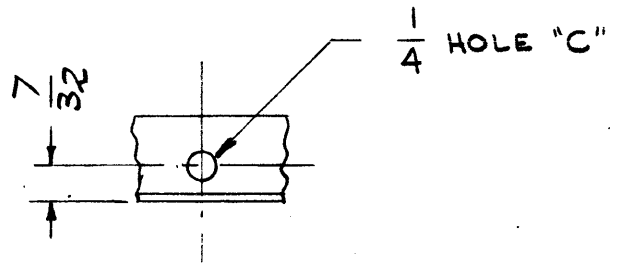
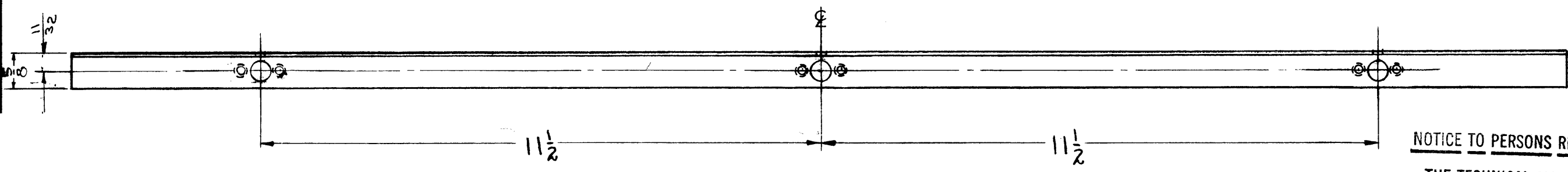


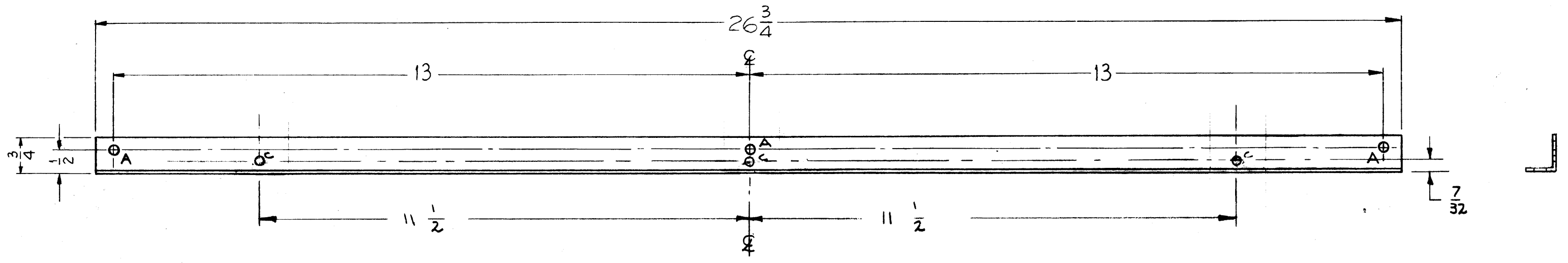
MS-1606D



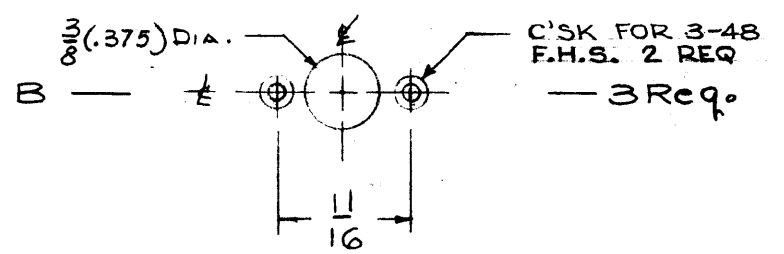
NOTICE TO PERSONS RECEIVING THIS DRAWING

THE TECHNICAL MATERIEL CORPORATION claims proprietary right in the material disclosed hereon. This drawing is issued in confidence for engineering information only and may not be reproduced or used to manufacture anything shown hereon without permission from THE TECHNICAL MATERIEL CORPORATION to the user. This drawing is loaned for mutual assistance and is subject to recall at any time.

Property of:
THE TECHNICAL MATERIEL CORPORATION
MAMARONECK, NEW YORK



A - 3/16 (.187) DIA. 3 Req.



C - 1/4 (.250) D. HOLES 3 REQ'D.

D	2	ON BY DETAIL C'SK WAS FOR 4-40 DELETED ITEM (O) NT-117-0832-A	4-23-63	8852		MY	
C	1	ADDED 3 'C' HOLES 1/4 DIA.	1-15-59	1538	Phel	AM	
B	1	DIM. CHG. 11 1/2 WAS 10	4/2/59	1080	AC	LB	
A	1	B' HOLE & IT-1 WAS FOR SM: 107-33	4/10/59				
ISSUE	ITEM	CHANGED FR M	DATE	CH. NO.	DRAFTS	CHECKER	ENG. APP.

TOLERANCES		SCALE:	
DEC. DIM. ±		MAXIMUM ALLOWABLE TOLERANCES HAVE BEEN DETERMINED AND ANY DEVIATIONS WILL BE CAUSE FOR REJECTION: REMOVE ALL BURRS AND HARP ED ES	
FRAC. DIM. ±			
AN ULAR DIM. ±			

1	GPT 10K	AX-173		2-24-59
REQ. PER UNIT	MODEL	PROJECT NO.	A Y. NO.	DATE
				USED ON

REQ.	ITEM	PART NO.	DESCRIPTION	SYMBOL
		.064	THE TECHNICAL MATERIEL CORP. MAMARONECK, NEW YORK	
		STOCK SIZE		
		ALUMINUM	BRACKET, SUPPORT	
		MATERIAL	TOP WINDOW PANEL	
		5052-H32	J.C. BIELE	
		TYPE & TEMPER	DRAWN	
		HEATTREAT. SPEC.	CHECKED	
		3-404 TRIDITE		
		FINISH & SPEC. NO.	DES. APP.	
				MS-1606D