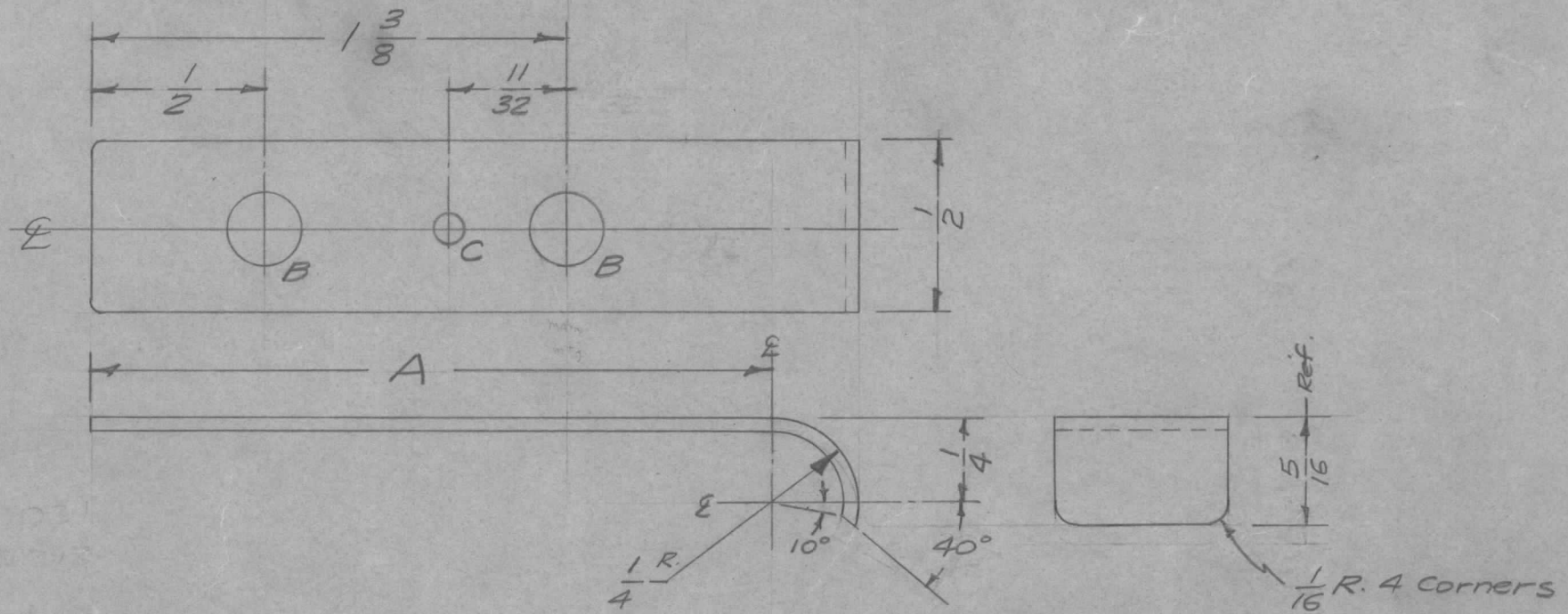


TMC NO.	DIM. A	HOLE DIAM. "B" (2 Req.)	HOLE DIAM. "C"	REQ. PER UNIT	USED ON			MS-1602
					MODEL	ASS'Y. NO.	DATE	
MS-1602-1	3.125	.203	.109	2	GPT 10000			



REQ.	ITEM	PART NO.	DESCRIPTION				SYMBOL
		.040 Thk	THE TECHNICAL MATERIEL CORP.				
		STOCK SIZE	MAMARONECK, NEW YORK				
		BERYLLIUM COPPER	SPRING, SWITCH CONTACT				
		MATERIAL					
ISSUE	ITEM	CHANGED FROM	DATE	CH. NO.	DRAFTS	CHECKER	ENG. APP.
TOLERANCES			SCALE: $\frac{1}{16}$	1-1310			
DEC. DIM. $\pm .005$			MAXIMUM ALLOWABLE TOLERANCES HAVE BEEN DETERMINED AND ANY DEVIATIONS WILL BE CAUSE FOR REJECTION. REMOVE ALL BURRS AND SHARP EDGES				
FRAC. DIM. $\pm 1/64$							
ANGULAR DIM. $\pm 2^\circ$							
TYPE & TEMPER		HEATTREAT. SPEC.	DRAWN	CHECKED	FINAL APPROVAL		
.0005 Silver Plate			ARB		MS-1602		
.000025 Rhodium Plate							
FINISH & SPEC. NO.		ELEC. DES. APP	MECH. DES. APP				