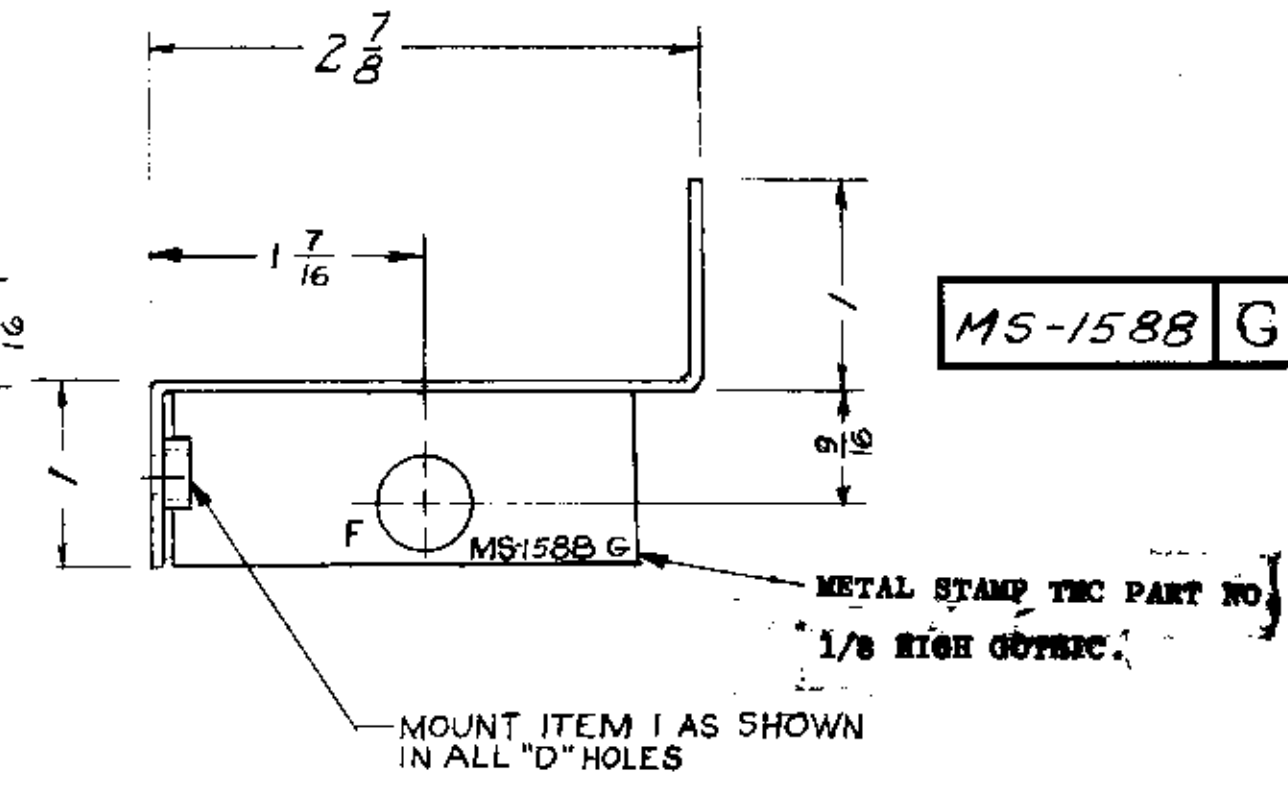
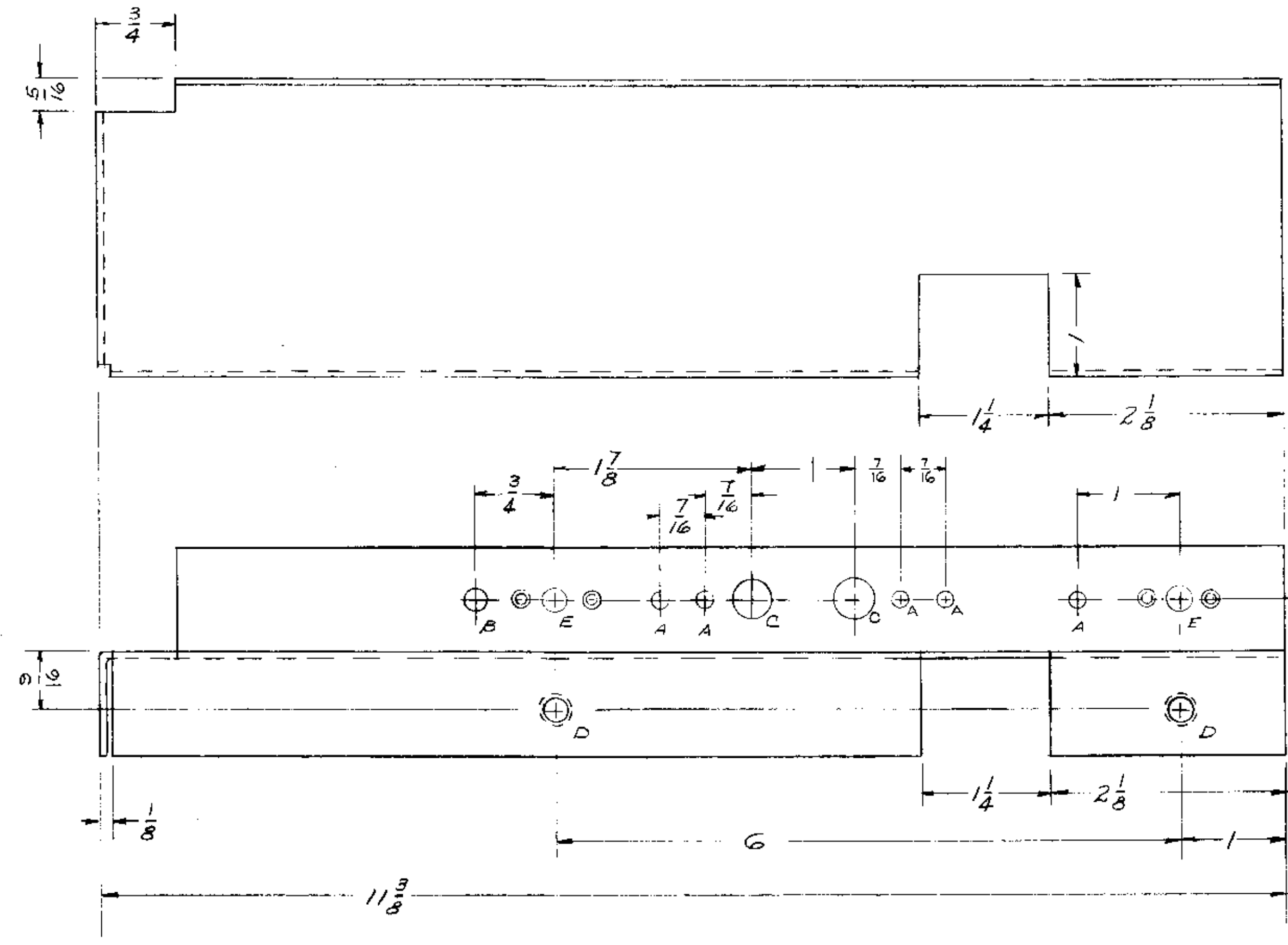


IF IT IS FOUND DESIRABLE TO CHANGE ANY TOLERANCE OR OTHER DETAIL SPECIFIED ON THIS DRAWING NOTIFY THE PURCHASER PROMPTLY.

MAXIMUM ALLOWABLE TOLERANCES HAVE BEEN DETERMINED AND DEVIATIONS WILL BE CAUSE FOR REJECTION. REMOVE ALL BURRS AND SHARP EDGES.

- A -  $\frac{11}{64}$  (.171) DIA. HOLE 5 REQ.
- B -  $\frac{13}{64}$  (.203) DIA. HOLE 1 REQ.
- C -  $\frac{5}{8}$  (.625) DIA HOLE 2 REQ.
- D -  $\frac{221}{224}$  D (INSERT) NT-129-832-4 2 REQ.
- E -  $\frac{5}{16}$  D. CSINK FOR 3-48 F.H.S. 2 REQ.  
FOR NT 117-822-A
- F -  $\frac{1}{2}$  (.500) DIA. HOLE 1 REQ.



ISSUE	ITEM	CHANGED FROM	DATE	CH. NO.	DRAFTS	CHECKER	ENG. APP.
G	1	"F" HOLE ADDED STAMP NOTE ADDED	3/23/54	11067	A.M.		
F	1	ITEM (1) ADDED REF: MS-1679 DELETED	8-27-53	9797	M. JAY		
E	1	3/4 DIA Holes Added (right side) S-434 TEL TO DITE WAS	12/1/50	3770	RU.	JCP	
D	1	S-101 CAUSTIC DIP	1/2/53	1001	HP		EMM
C	1	3/4 BELLING 3-48 F.H.S. 3/16 HOLE	3/6/53				
B	1	REDRAWN WHEN REDESIGNED	3/6/53				

TOLERANCES		SCALE:
ALL	DEC. DIM. $\pm$	DRILL PUNCH COMMERCIAL STOCK SIZES AND MANUFACTURERS TOLERANCES ARE NOT INCLUDED.
OTHERS	FRAC. DIM. $\pm$ 1/64	
	ANGULAR DIM. $\pm$	

NOTICE TO PERSONS RECEIVING THIS DRAWING

THE TECHNICAL MATERIEL CORPORATION is the proprietor right in the use of this drawing. This drawing is issued in confidence and is for information only and may not be copied, or used to manufacture or for resale without the permission from THE TECHNICAL MATERIEL CORPORATION to the user. This drawing is based on mutual assistance and is subject to recall at any time.

Property of:  
THE TECHNICAL MATERIEL CORPORATION  
MAMARONECK, NEW YORK

REQ. PER UNIT	MODEL	PROJECT NO.	ASSY. NO.	DATE
1	GPT-40K		AX-238, AX-236	3-21-59
1	GPT-10RW			

USED ON

REQ. ITEM	PART NO.	DESCRIPTION	SYMBOL
2	1	NT-129-832-4	NUT, ROUND, SWAGE TYPE
.064		THE TECHNICAL MATERIEL CORP. MAMARONECK, NEW YORK	
ALUMINUM		BRACKET, RIGHT SIDE	
5052-H32		FRONT WINDOW PANEL	
TYPE & TEMPER		DRAWN	ELEC. DES. APP. MECH. DES. APP.
HEAT TREAT. SPEC.		FINAL APPROVAL	
5407 TEL. INHIBITE S/14 ? S/15		MS-1588 G	
FINISH & SPEC. NO.			