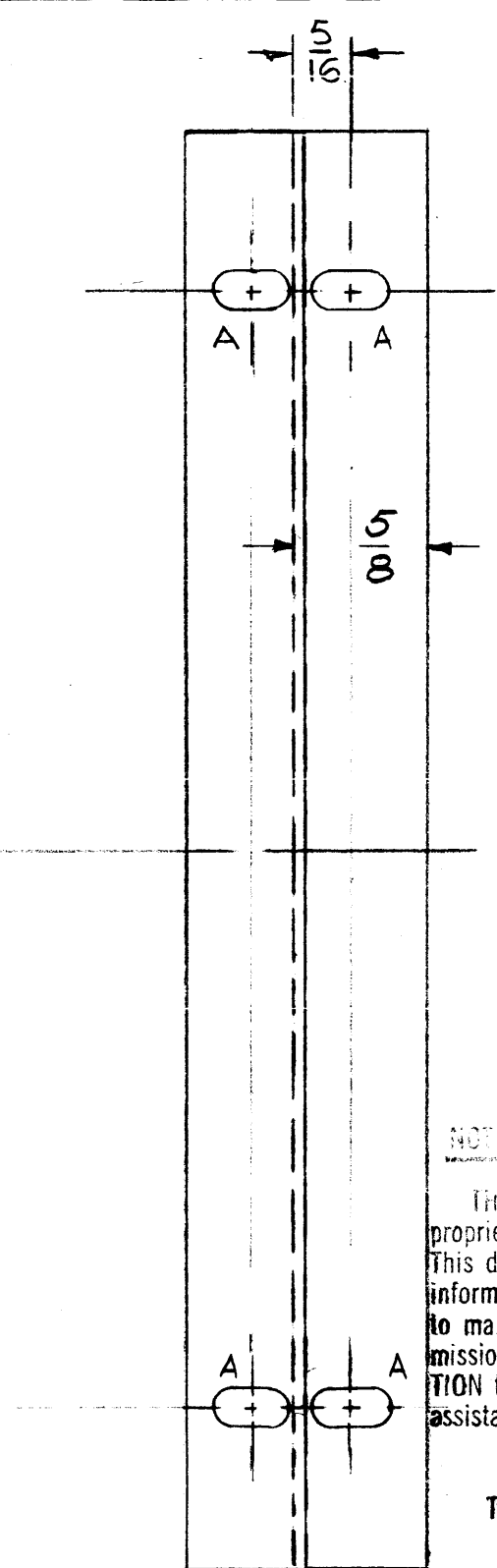
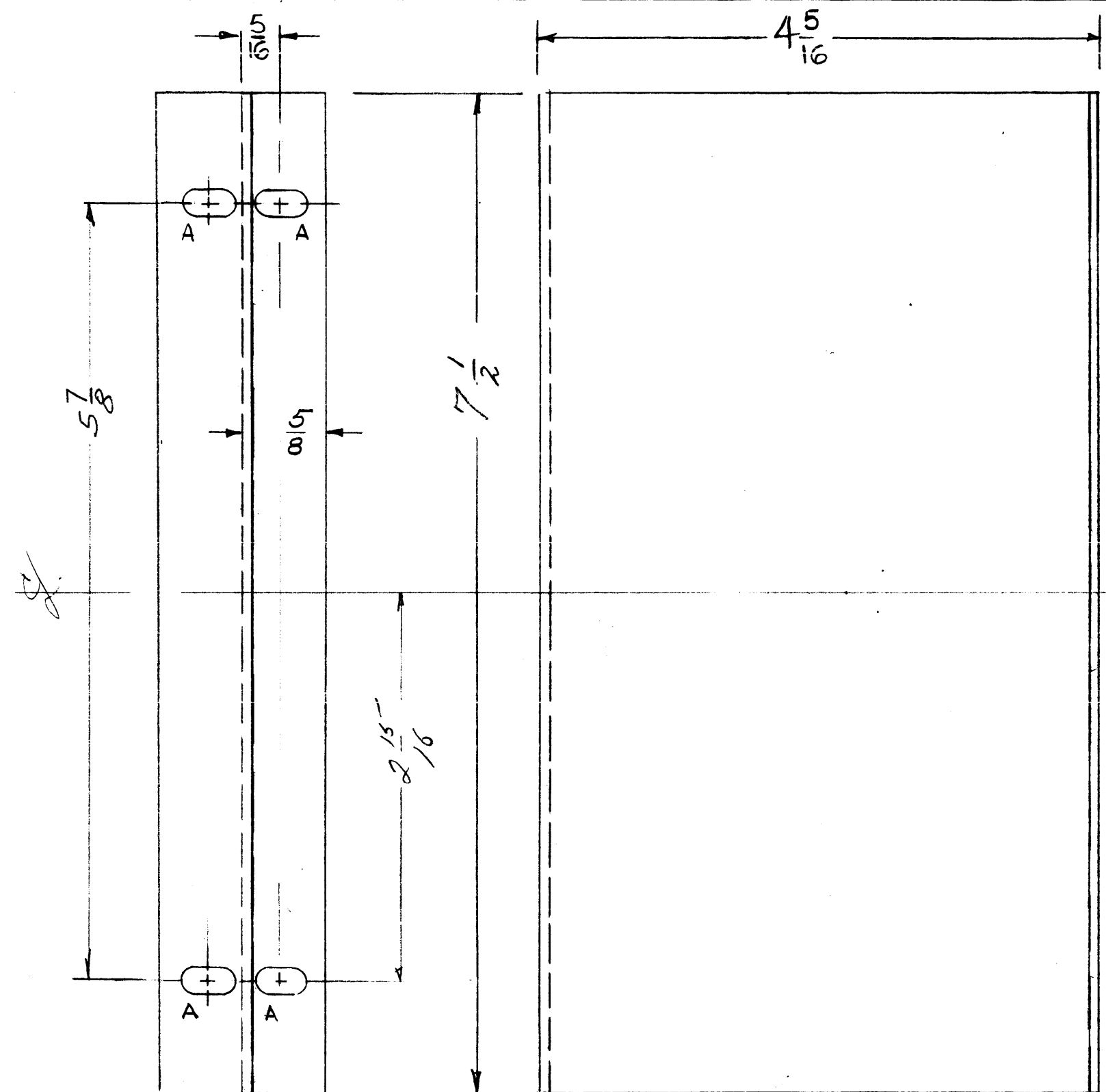


MS-1580 F



HOLES -
 A - $\frac{13}{64} \times \frac{13}{32}$ SLOTS
 4 REQ.

NOTICE TO PERSONS RECEIVING THIS DRAWING
 THE TECHNICAL MATERIEL CORPORATION claims proprietary right in the material disclosed hereon. This drawing is issued in confidence for engineering information only and may not be reproduced or used to manufacture anything shown hereon without permission from THE TECHNICAL MATERIEL CORPORATION to the user. This drawing is loaned for mutual assistance and is subject to recall at any time.
 Property of:
 THE TECHNICAL MATERIEL CORPORATION
 MAMARONECK, NEW YORK

F	1	1- 5/8 Dia. Hole Deleted	12-19-61	6073	S. B.	MS	OSB
D	1	S-404 WAS S-101	12/15/59	1001	ARB		EMN
C	1	13/64 X 13/32 SLOT WAS 13/64 HOLE	10-23-59	1474	AM	JCB	ARB
B	1	4 5/16 WAS 4 1/8	4/15/59		AM	HE	ARB
A	2	4 1/8 WAS 4 1/16, 7 1/2 WAS 7 3/16 ADDED 1 5/8 HOLE	5/30/59				ARB
ISSUE	ITEM	CHANGED FROM	DATE	CH. NO.	DRAFTS	CHECKER	ENG. APP.
TOLERANCES		SCALE:					
DEC. DIM. ±		MAXIMUM ALLOWABLE TOLERANCES HAVE BEEN DETERMINED AND ANY DEVIATIONS WILL BE CAUSE FOR REJECTION.					
FRAC. DIM. ±		REMOVE ALL BURRS AND SHARP EDGES					
ANGULAR DIM. ±							

F	1	DIM. TO CTR. OF "A" SLOT 5/16 WAS 9/32	6-29-62	6864	V.R.R.	HE	OSB
2	GPT-10K	AUX FRAME	2-18-59				
REQ. PER UNIT	MODEL	PROJECT NO.	ASS'Y. NO.	DATE			
USED ON							

REQ. ITEM	PART NO.	DESCRIPTION	SYMBOL
	.057	THE TECHNICAL MATERIEL CORP. MAMARONECK, NEW YORK	
	STOCK SIZE	ALUMINUM	END PLATE
			METER BOX, AUX. RACK
	5052 S H32	AM	ARB
		TYPE & TEMPER	HEAT TREAT. SPEC.
		S404 YELLOW BRITITE	
		S114 ZINC CHROMATE	
		S115 THE GRAY	
		FINISH & SPEC. NO.	
		DRAWN	CHECKED
		ARB	AM
		ELEC. DES. APP.	MECH. DES. APP.
			MS-1580 F