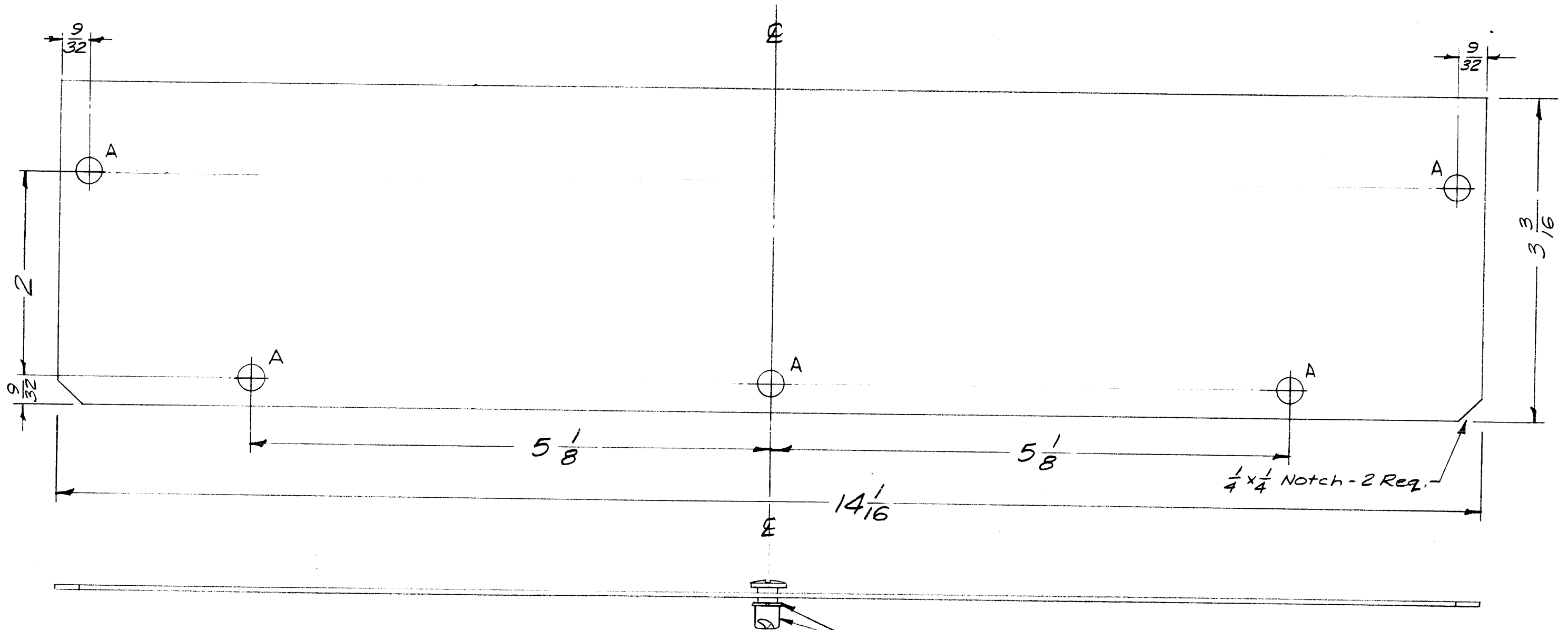


MS-1574 A

HOLES ———
 A- $\frac{1}{4}$ DIA. ——— 5 Req



NOTE TO PERSONS RECEIVING THIS DRAWING

THE TECHNICAL MATERIEL CORPORATION claims proprietary right in the material disclosed hereon. This drawing is issued in confidence for engineering information only and may not be reproduced or used to manufacture anything shown hereon without permission from THE TECHNICAL MATERIEL CORPORATION to the user. This drawing is loaned for mutual assistance and is subject to recall at any time.

Mount in all holes as shown.
 FS-110-1, Stud, 5 Req.
 FS-109-3, Ring, 5 Req.

Property of:

THE TECHNICAL MATERIEL CORPORATION
 MAMARONECK, NEW YORK

A	1	A Hole dia's. CALLED OUT	5-15-61	4883	RU.		
ISSUE	ITEM	CHANGED FROM	DATE	CH. NO.	DRAFTS	CHECKER	ENG. APP.
TOLERANCES			SCALE: <i>FULL - Do Not Scale</i>				
DEC. DIM. \pm			MAXIMUM ALLOWABLE TOLERANCES HAVE BEEN DETERMINED AND ANY DEVIATIONS WILL BE CAUSE FOR REJECTION. REMOVE ALL BURRS AND SHARP EDGES				
FRAC. DIM. \pm 1/64							
ANGULAR DIM. \pm							

2	SLM	P/O GPT-10K	2-17-59
REQ. PER UNIT	MODEL	PROJECT NO.	ASS'Y. NO.
USED ON			

REQ. ITEM	PART NO.	DESCRIPTION	SYMBOL
.051 THK		THE TECHNICAL MATERIEL CORP. MAMARONECK, NEW YORK	COVER
STOCK SIZE			
ALUMINUM		(SIDE BAND LEVEL MONITOR)	
MATERIAL		162/17/59	
5052-H32		JAD	
TYPE & TEMPER	HEAT TREAT. SPEC.	DRAWN	CHECKED
5404 Iridite		RWB	RWB
FINISH & SPEC. NO.	ELEC. DES. APP.	MECH. DES. APP.	MS-1574 A