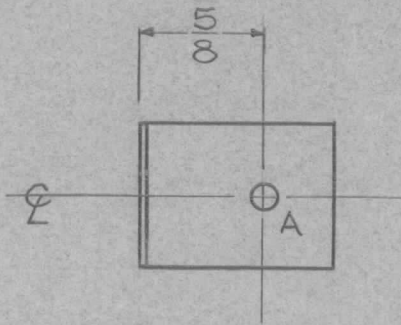
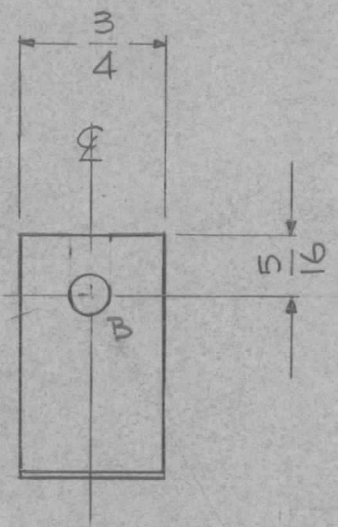
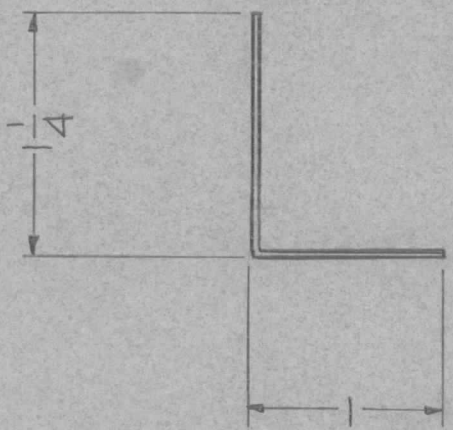


REQ. PER UNIT	USED ON			MS-1543
	MODEL	ASS'Y. NO.	DATE	
2	GPT-10K	RF Deck	1-31-59	



A - 9/64 (.140) DIA. 1 REQ'D.
 B - 17/64 (.250) DIA. 1 REQ



REQ.	ITEM	PART NO.	DESCRIPTION			SYMBOL	
		.081	THE TECHNICAL MATERIEL CORP.				
		STOCK SIZE	MAMARONECK, NEW YORK				
		ALUMINUM	SUPPORT, CHOKE				
		MATERIAL	GPT-10K				
ISSUE	ITEM	CHANGED FROM	DATE	CH. NO.	DRAFTS	CHECKER	ENG. APP.
TOLERANCES			SCALE: —				
DEC. DIM. ±			MAXIMUM ALLOWABLE TOLERANCES HAVE BEEN DETERMINED AND ANY DEVIATIONS WILL BE CAUSE FOR REJECTION. REMOVE ALL BURRS AND SHARP EDGES				
FRAC. DIM. ± 1/64							
ANGULAR DIM. ±							
TYPE & TEMPER		HEAT TREAT. SPEC.	DRAWN	CHECKED	FINAL APPROVAL		
IRIDITE					MS-1543		
FINISH & SPEC. NO.		ELEC. DES. APP	MECH. DES. APP				