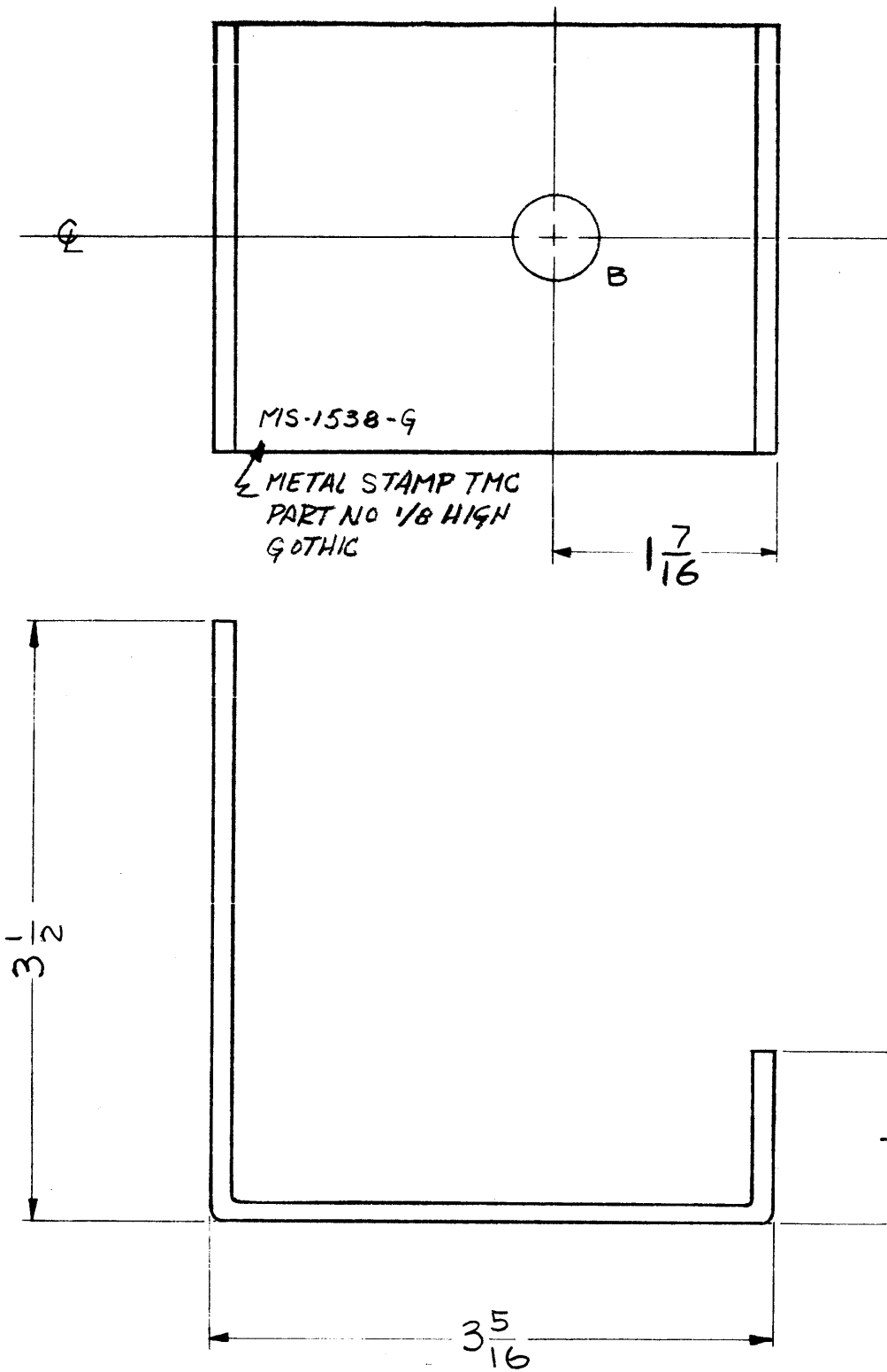


MS-1538 G



A ~ 13/64 X 13/32 SLOTS
 B ~ 1/2 (.500) DIA.
 C ~ 5/8 (.625) DIA.

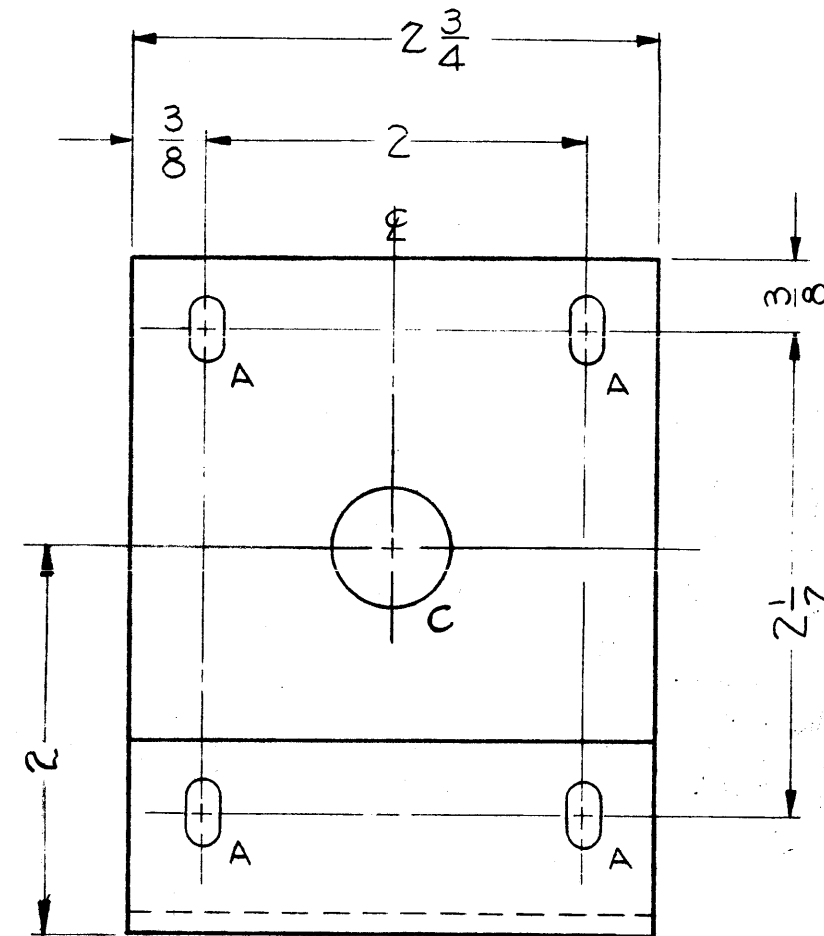
4 REQ'D.

NOTICE TO PERSONS RECEIVING THIS DRAWING

THE TECHNICAL MATERIEL CORPORATION claims proprietary right in the material disclosed hereon. This drawing is issued in confidence for engineering information only and may not be reproduced or used to manufacture anything shown hereon without permission from THE TECHNICAL MATERIEL CORPORATION to the user. This drawing is loaned for mutual assistance and is subject to recall at any time.

Property of:

THE TECHNICAL MATERIEL CORPORATION
 MAMARONECK, NEW YORK



9	1	DIM 2" WAS 2-1/4	11-26-62	7425	<i>[Signature]</i>	<i>[Signature]</i>	<i>[Signature]</i>	<i>[Signature]</i>
ITEM	CHANGED FROM	DATE	CH. NO.	DRAFTS	CHECKER	ENG. APP.		

TOLERANCES		SCALE:
DEC. DIM. ±	MAXIMUM ALLOWABLE TOLERANCES HAVE BEEN DETERMINED AND ANY DEVIATIONS WILL BE CAUSE FOR REJECTION:	
FRACTIONAL DIM. ±	REMOVE ALL BURRS AND SHARP EDGES	
ANGULAR DIM. ±		

1	GPT-10K	AX-137		1-31-59
RE PER UNIT	MODEL	PROJECT NO.	ASSY. NO.	DATE

REQ.	ITEM	PART NO.	DESCRIPTION	SYMBOL
		1/8	THE TECHNICAL MATERIEL CORP.	
		STOCK SIZE	MAMARONECK, NEW YORK	
		ALUMINUM	BRACKET, SUPPORT RIGHT	
		MATERIAL	ANGLE DRIVE, ANTENA TUNER	
		5052-H32	J.C. BIELE	<i>[Signature]</i>
		TYPE & TEMPER	DRAWN	<i>[Signature]</i>
		HEATTREAT. SPEC.	CHECKED	<i>[Signature]</i>
		IRIDITE		
		FINISH & SPEC. NO.	ELEC. DES. APP.	MECH. DES. APP.
				MS-1538 G