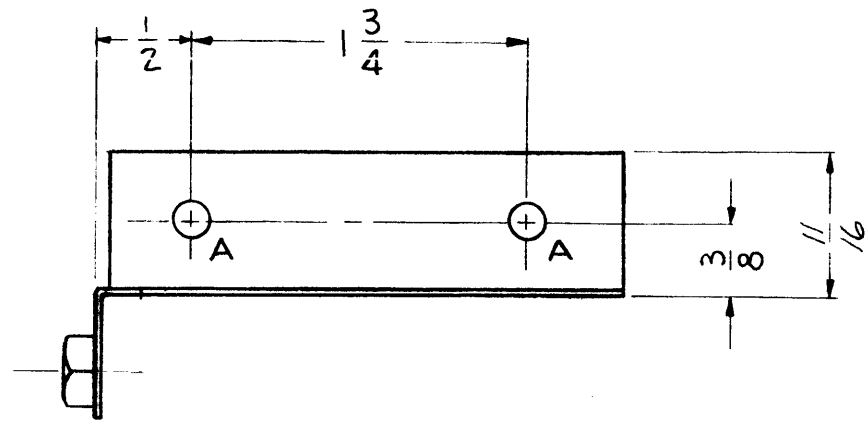
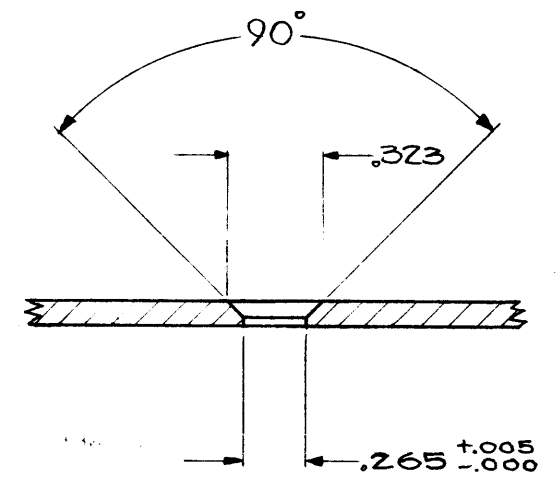


MS-1528 A

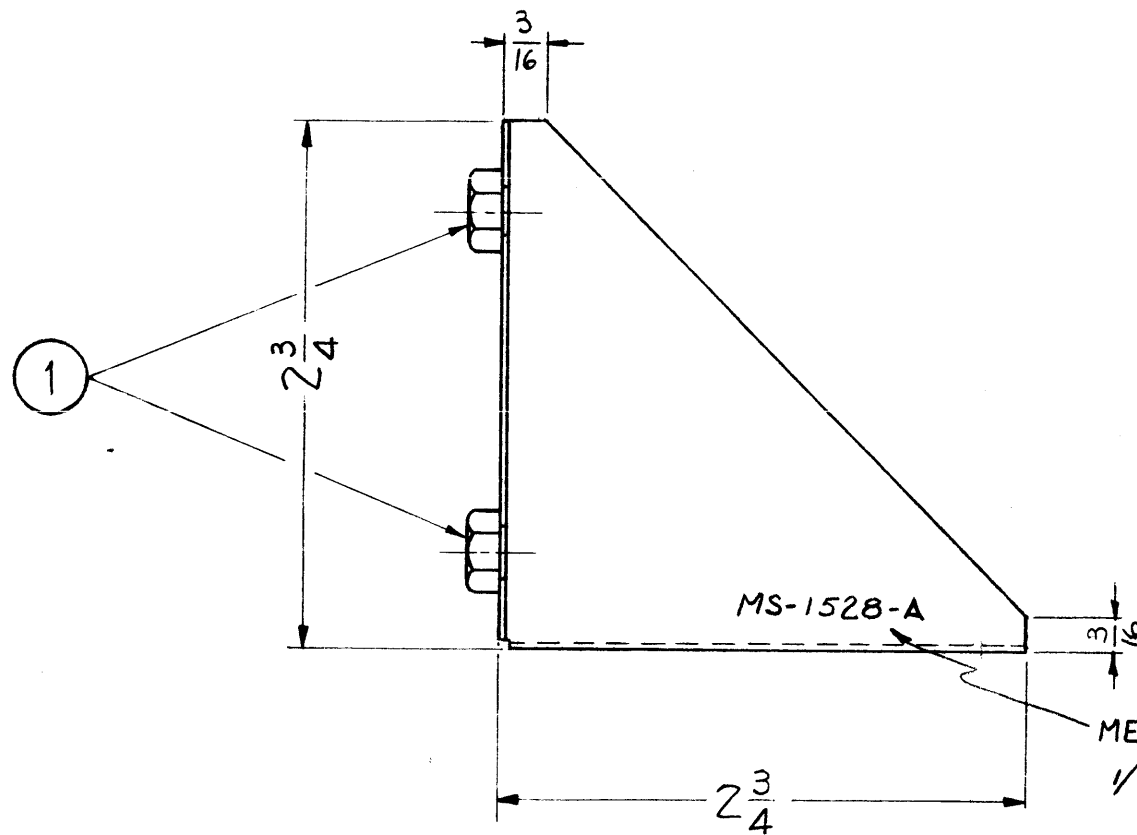
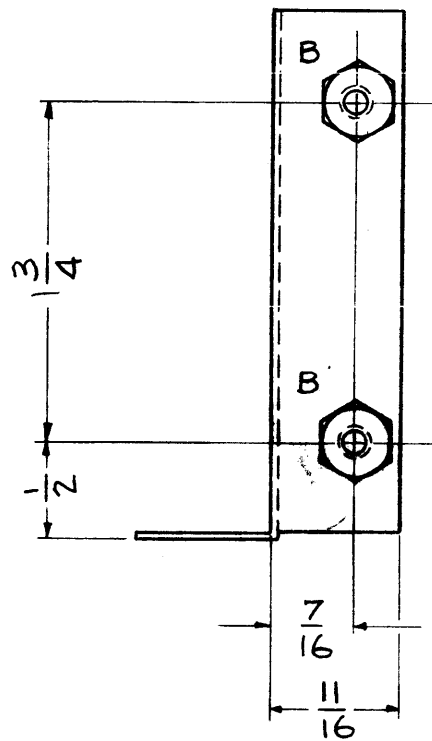


A 3/16 (.187) DIA.

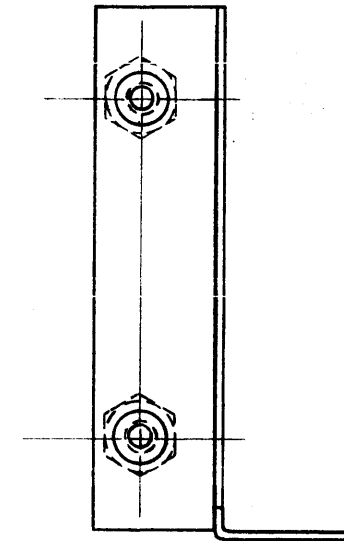
2 REQ'D.



'B' DRILLING PLAN



METAL STAMP TMC PART NO. 1/8 HIGH, GOTHIC.



NOTICE TO PERSONS RECEIVING THIS DRAWING

THE TECHNICAL MATERIEL CORPORATION claims proprietary right in the material disclosed hereon. This drawing is issued in confidence for engineering information only and may not be reproduced or used to manufacture anything shown hereon without permission from THE TECHNICAL MATERIEL CORPORATION to the user. This drawing is loaned for mutual assistance and is subject to recall at any time.

Property of:

THE TECHNICAL MATERIEL CORPORATION
MAMARONECK, NEW YORK

A	1	3/16" NOTCH ADDED	10-12-62	7414	<i>[Signature]</i>	<i>[Signature]</i>	
IS USE ITEM		CHANGED FROM	DATE	CH. NO.	DRAFTS	CHECKER	ENG. APP.
TOLERANCES			SCALE:				
DEC. DIM. ±			MAXIMUM ALLOWABLE TOLERANCE HAVE BEEN DETERMINED AND ANY DEVIATIONS WILL BE CAUSE FOR REJECTION: REMOVE ALL BURRS AND HARP EDGES				
FRAC. DIM. ±							
ANGULAR DIM. ±							

1	GPT-10K	P.S	1-31-59
REQ. PER UNIT	MODEL	PROJECT NO.	ASSY. NO.
USED ON			

2	1	SM107-33	INSERT, HEXAGON	
REQ.	ITEM	PART NO.	DESCRIPTION	SYMBOL
		.064	THE TECHNICAL MATERIEL CORP.	
		STOCK SIZE	MAMARONECK, NEW YORK	
		ALUMINUM	LEFT SIDE SUPPORT,	
			ZENER TERMINAL BOARD	
		5052-H32	J.C. BIELE	<i>[Signature]</i>
			DRAWN	CHECKED
			<i>[Signature]</i>	<i>[Signature]</i>
				MS-1528 A
			ELEC. DES. APP	MECH. DES. APP