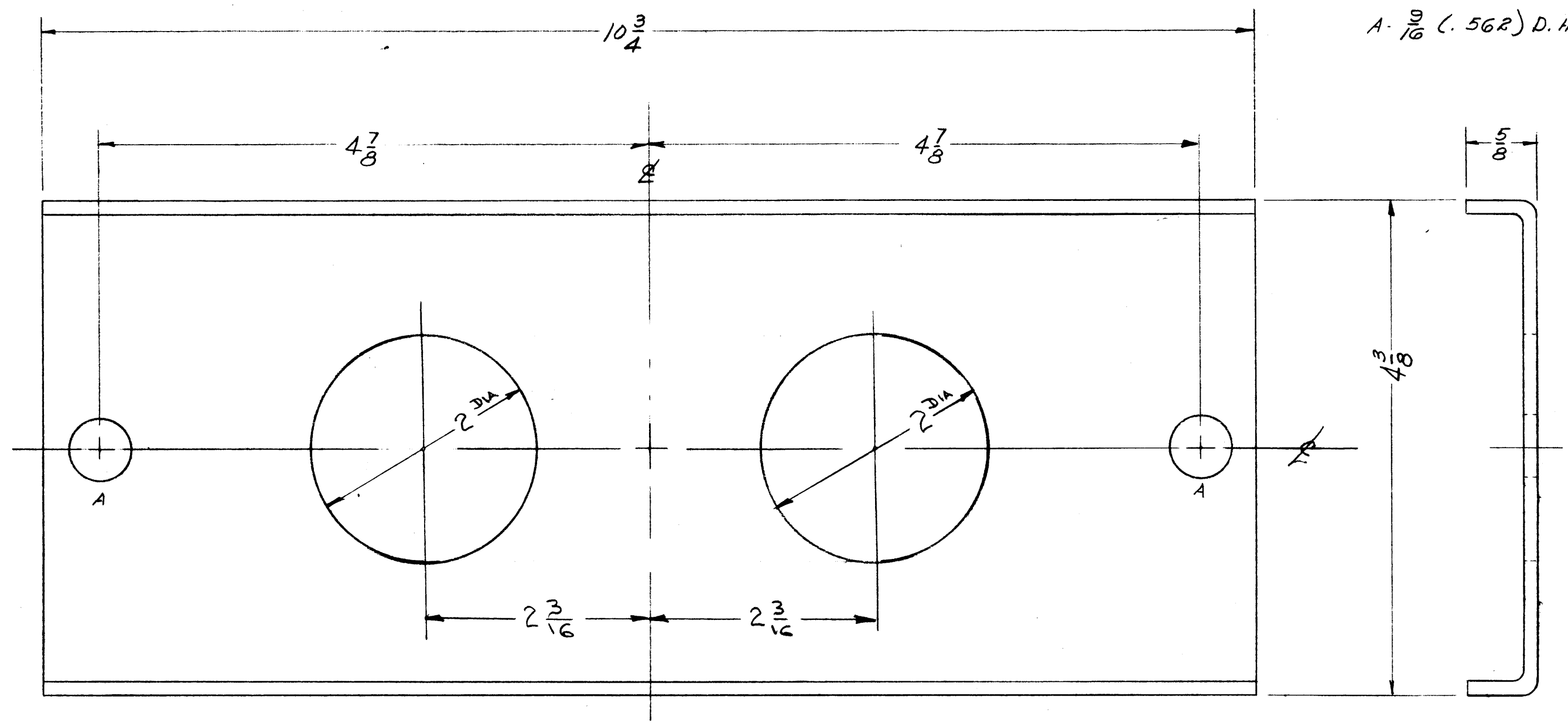


MS-1519

A- $\frac{9}{16}$  (.562) D. Hole 2 REQ.



NOTICE TO PERSONS RECEIVING THIS DRAWING

THE TECHNICAL MATERIEL CORPORATION claims proprietary right in the material disclosed hereon. This drawing is issued in confidence for engineering information only and may not be reproduced or used to manufacture anything shown hereon without permission from THE TECHNICAL MATERIEL CORPORATION to the user. This drawing is loaned for mutual assistance and is subject to recall at any time.

Property of:  
THE TECHNICAL MATERIEL CORPORATION  
MAMARONECK, NEW YORK

Ref-2LD-569

ISSUE	ITEM	CHANGED FROM	DATE	CH. NO.	DRAFTS	CHECKER	ENG. APP.
TOLERANCES							
DEC. DIM. $\pm$		SCALE: <i>1/16"</i>					
FRAC. DIM. $\pm$		MAXIMUM ALLOWABLE TOLERANCES HAVE BEEN DETERMINED AND ANY DEVIATIONS WILL BE CAUSE FOR REJECTION.					
ANGULAR DIM. $\pm$		REMOVE ALL BURRS AND SHARP EDGES					

REQ. PER UNIT	MODEL	PROJECT NO.	ASS'Y. NO.	DATE
1	GPT-10K			2-7-59
USED ON				

REQ. ITEM	PART NO.	DESCRIPTION		SYMBOL
$\frac{1}{8}$ THICK		THE TECHNICAL MATERIEL CORP.		
STOCK SIZE		MAMARONECK. NEW YORK		
ALUMINUM		BRACKET, CAPACITOR,		
MATERIAL		C801		
5052-H32		2-7-59	<i>[Signature]</i>	<i>[Signature]</i>
TYPE & TEMPER	HEAT TREAT. SPEC.	DRAWN	CHECKED	FINAL APPROVAL
5404 IRRIDITE		<i>RB</i>	<i>[Signature]</i>	MS-1519
FINISH & SPEC. NO.		ELEC. DES. APP.	MECH. DES. APP.	