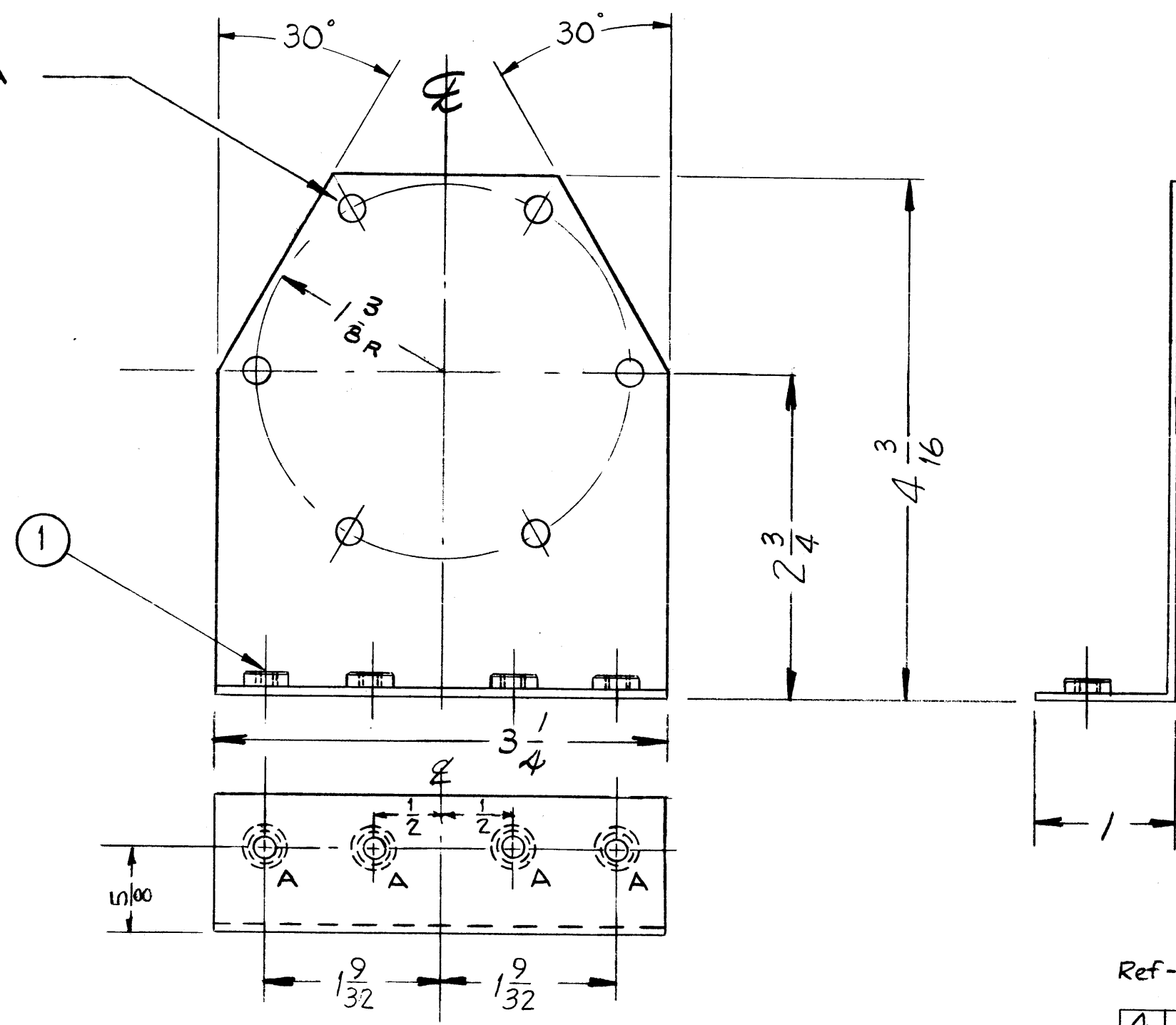


6 HOLES $\frac{3}{16}$ DIA
60° APART



NOTE -
FINISH - SILVER PLATE .0005
& CLEAR IRIDITE.

NOTICE TO PERSONS RECEIVING THIS DRAWING
THE TECHNICAL MATERIEL CORPORATION claims proprietary right in the material disclosed hereon. This drawing is issued in confidence for engineering information only and may not be reproduced or used to manufacture anything shown hereon without permission from THE TECHNICAL MATERIEL CORPORATION to the user. This drawing is loaned for mutual assistance and is subject to recall at any time.

Property of:
THE TECHNICAL MATERIEL CORPORATION
MAMARONECK, NEW YORK

Ref-ILD-574

4	Notches added						
3	1-5/8 deleted	3/24/59		J.C.B.	JAC		
2	NT 129-832-4 added						
1	SM 104-37 deleted						
A 1	4 3/8 was 4, 2 3/4 was 2 3/8 Two SM-107-3/4 ADDED	2/12/59	798	JAC	JB	AMB	
ISSUE	ITEM	CHANGED FROM	DATE	CH. NO.	DRAFTS	CHECKER	ENG. APP.
TOLERANCES		SCALE:					
DEC. DIM. \pm		MAXIMUM ALLOWABLE TOLERANCES HAVE BEEN DETERMINED AND ANY DEVIATIONS WILL BE CAUSE FOR REJECTION.					
FRAC. DIM. \pm 1/64		REMOVE ALL BURRS AND SHARP EDGES					
ANGULAR DIM. \pm							

1	GPT-19K	AX-137		1-29-59
REQ. PER UNIT	MODEL	PROJECT NO.	ASS'Y. NO.	DATE
USED ON				

4	1	NT-129-832-4	NUT, SWAGE TYPE		
REQ. ITEM	PART NO.		DESCRIPTION		SYMBOL
.064 THICK		THE TECHNICAL MATERIEL CORP.			
STOCK SIZE		MAMARONECK, NEW YORK			
ALUMINUM		CONDENSER, SUPPORT			
MATERIAL		GPT 10000 (TI-102)			
5052-H32		TORILLO	JAC	ARB	
TYPE & TEMPER		HEAT TREAT. SPEC.	DRAWN	CHECKED	FINAL APPR VAL
SEE NOTE			JB		MS-1514 B
FINISH & SPEC. NO.		ELEC. DES. APP.	MECH. DES. APP.		