

IF IT IS FOUND DESIRABLE TO CHANGE ANY TOLERANCE OR OTHER DETAIL SPECIFIED ON THIS DRAWING NOTIFY THE PURCHASER PROMPTLY.

MAXIMUM ALLOWABLE TOLERANCES HAVE BEEN DETERMINED AND DEVIATIONS WILL BE CAUSE FOR REJECTION. REMOVE ALL BURRS AND SHARP EDGES.

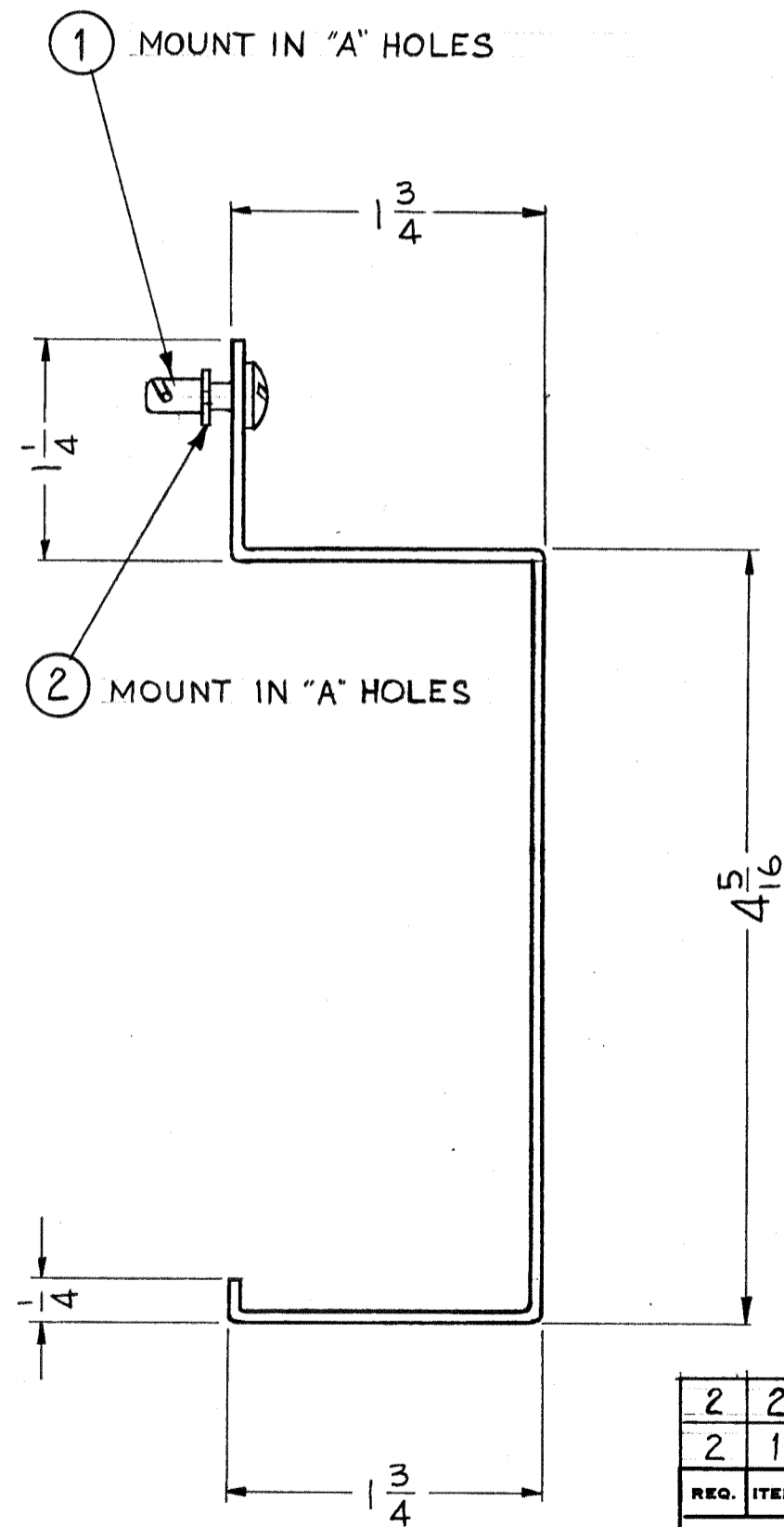
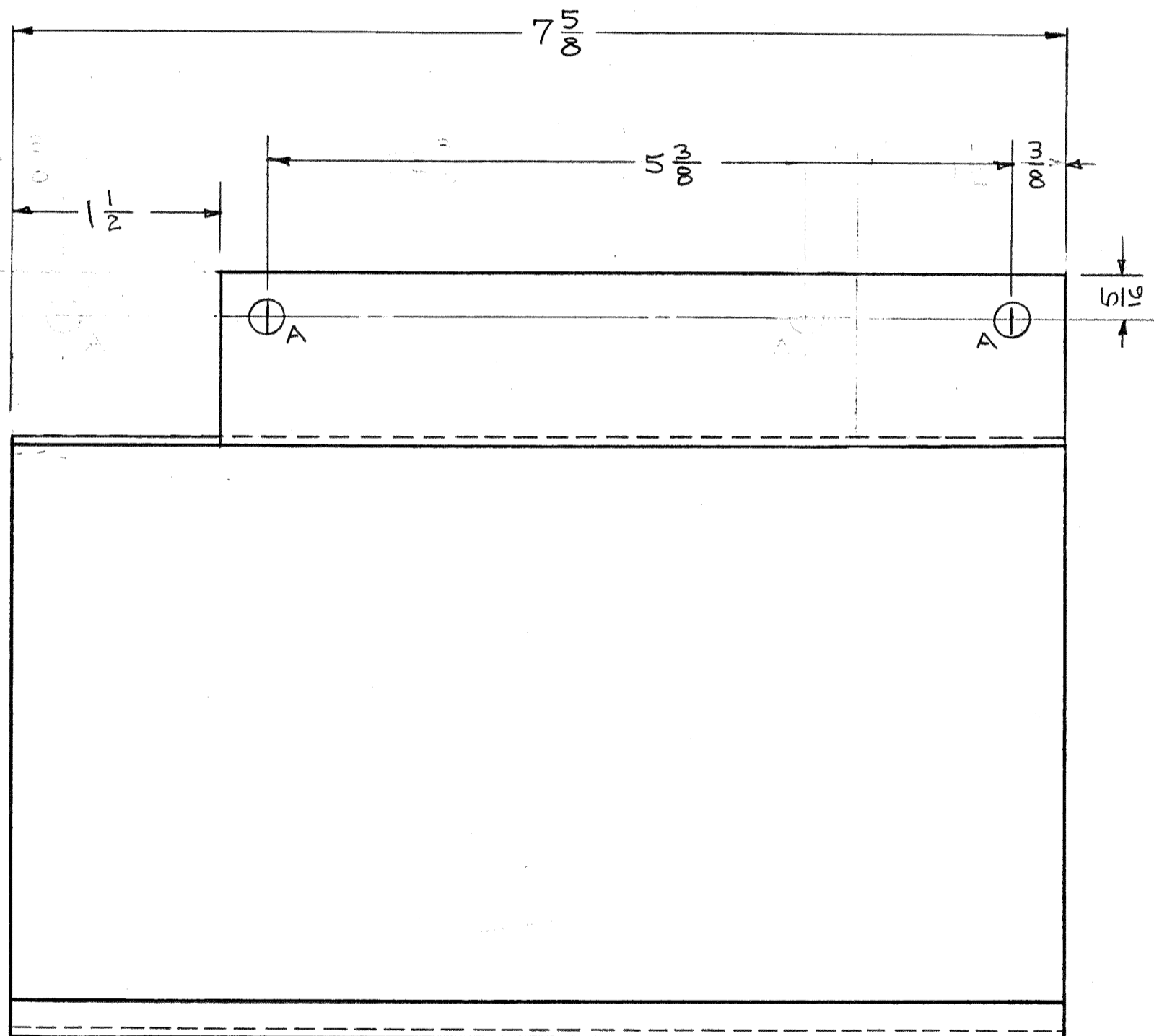
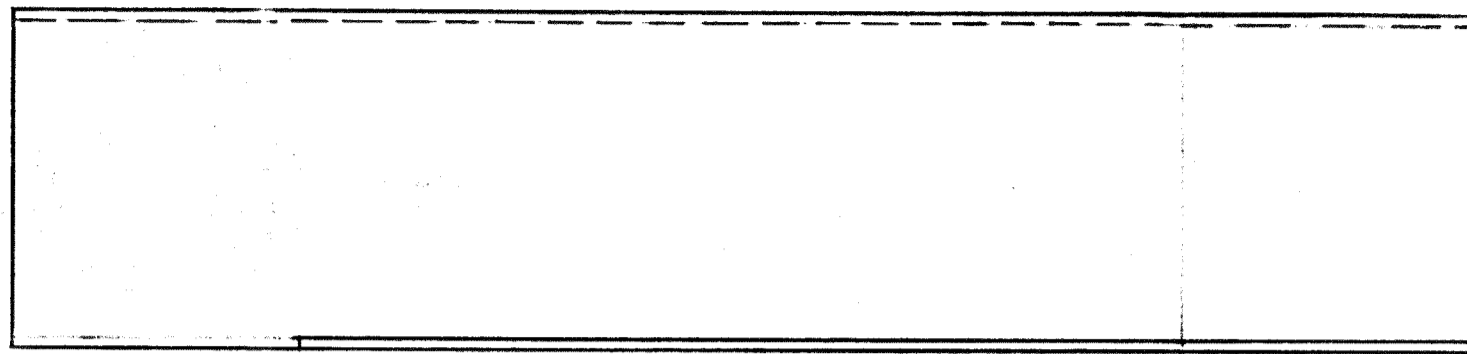
A - 1/4 (.250) DIA.

2 REQ'D.

NOTICE TO PERSONS RECEIVING THIS DRAWING

THE TECHNICAL MATERIEL CORPORATION claims proprietary right in the material disclosed hereon. This drawing is issued in confidence for engineering information only and may not be reproduced or used to manufacture anything shown hereon without permission from THE TECHNICAL MATERIEL CORPORATION to the user. This drawing is loaned for mutual assistance and is subject to recall at any time.

Property of:
THE TECHNICAL MATERIEL CORPORATION
MAMARONECK, NEW YORK



MS-1505 D

NOTE - FINISH

S-404 YELLOW IRIDITE
S-114 ZINC CHROMATE PRIMER
S-220 BLUE GRAY, SEMI-GLOSS ENAMEL

ISSUE	ITEM	CHANGED FROM	DATE	CH. NO.	DRAFTS	CHECKER	ENG. APP.
D	2	FS-110-1 ADDED	1-31-61	4041	M.A.F.	OCB	AM
C	1	FS-109-3 ADDED	12/10/59	1001	AB	DM	EMN
B	1	S-404 VEL. IRIDITE WAS					
A	1	S-101 CAUSTIC DIP	5-12-59	979	J.C.B.	OCB	AM
		.051 MAT. THICKNESS WAS .064	7-27-59		RY	DM	AM
		PICTORIAL CLARIFIED					

UNLESS OTHERWISE SPECIFIED
DIMENSIONS ARE IN INCHES AND INCLUDE
CHEMICALLY APPLIED OR PLATED FINISHES

DECIMALS	FRACTIONS
.1 ± .008	± 1/64
.XXX ± .01	ANGLES
.XXX ± .008	± 0° 30'

CUT HERE
QUANTITY
248

REQ. PER UNIT	MODEL	PROJECT NO.	ASSY. NO.	DATE
1	CAB-7			2-5-59

REQ. ITEM	PART NO.	DESCRIPTION	SYMBOL
2	2	FS-109-3 RING, STUD RETAINING	
2	1	FS-110-1 STUD, SLOTTED HEAD	
.051		THE TECHNICAL MATERIEL CORP. MAMARONECK, NEW YORK	
ALUMINUM		COVER, TERMINAL STRIP	
MATERIAL WEIGHT PER FC.		(rear outside) CAB-7	
5052 - H 32		JCB	
TYPE & TEMPER		DRAWN ELEC. DES. APP. MECH. DES. APP.	
HEAT TREAT. SPEC.		Jude	
SEE NOTE		CHECKED	
FINISH & SPEC. NO.		FINAL APPROVAL	
		MS-1505 D	

IF IT IS FOUND DESIRABLE TO CHANGE ANY TOLERANCE OR OTHER DETAIL SPECIFIED ON THIS DRAWING NOTIFY THE PURCHASER PROMPTLY.

MAXIMUM ALLOWABLE TOLERANCES HAVE BEEN DETERMINED AND DEVIATIONS WILL BE CAUSE FOR REJECTION. REMOVE ALL BURRS AND SHARP EDGES.

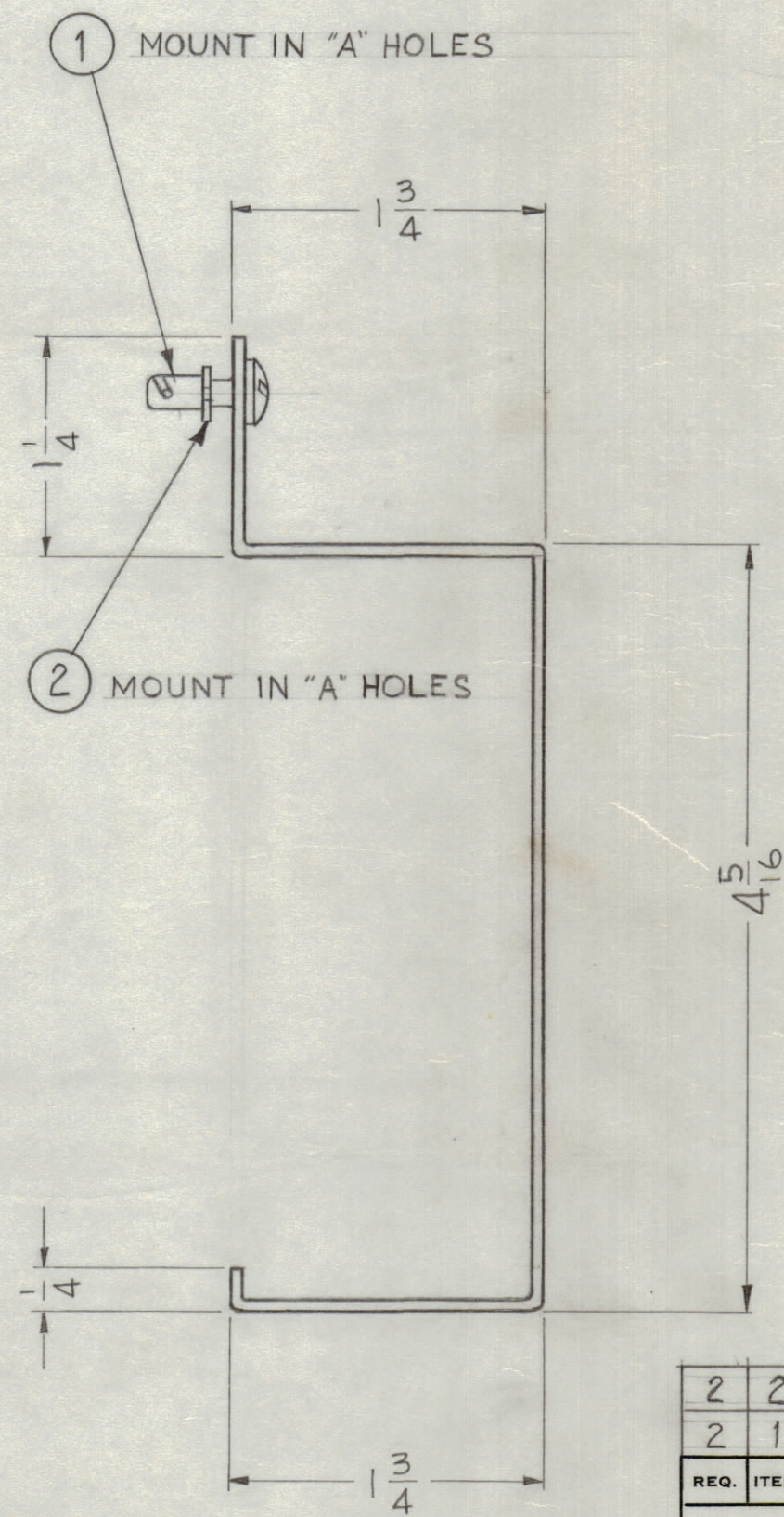
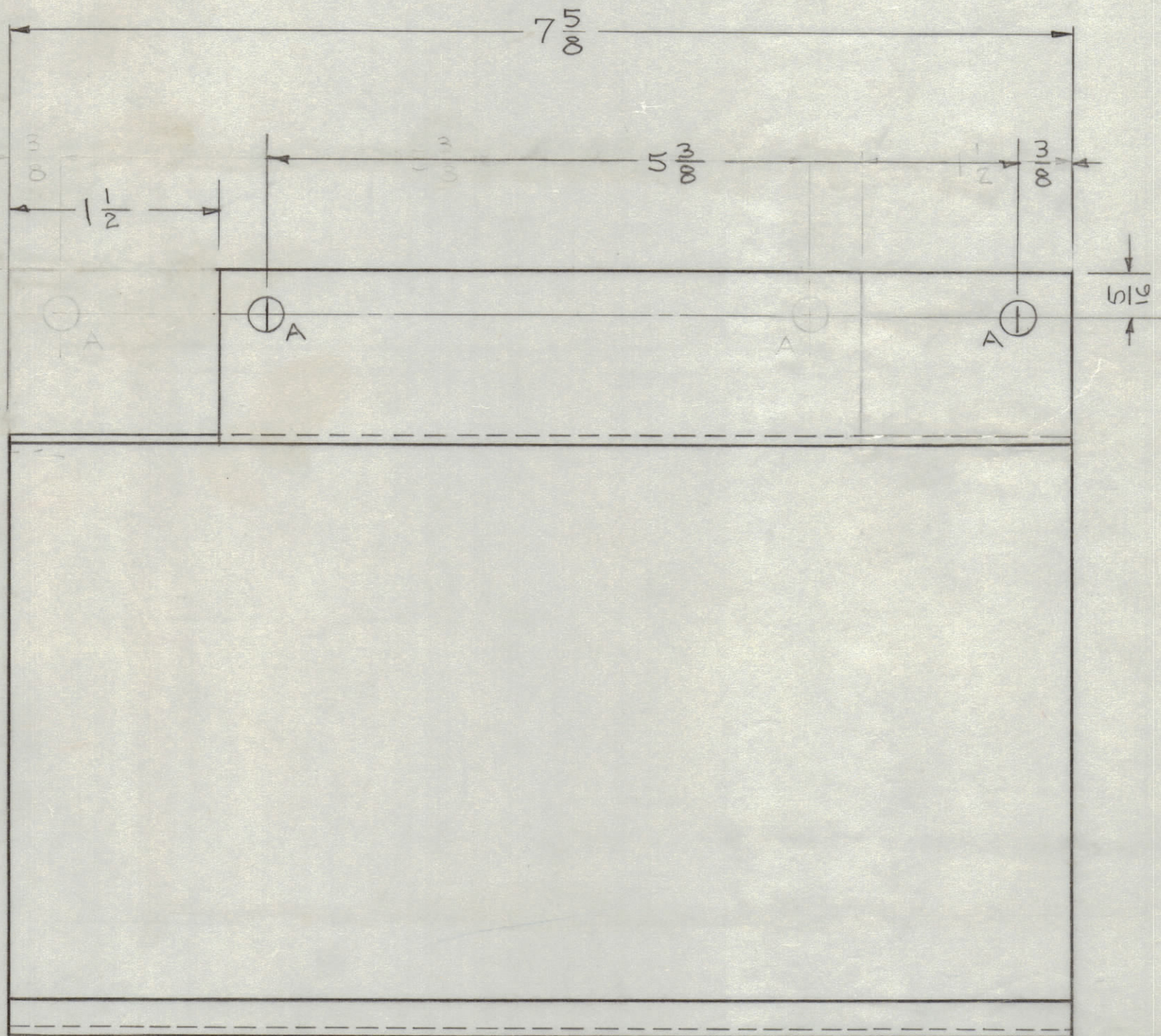
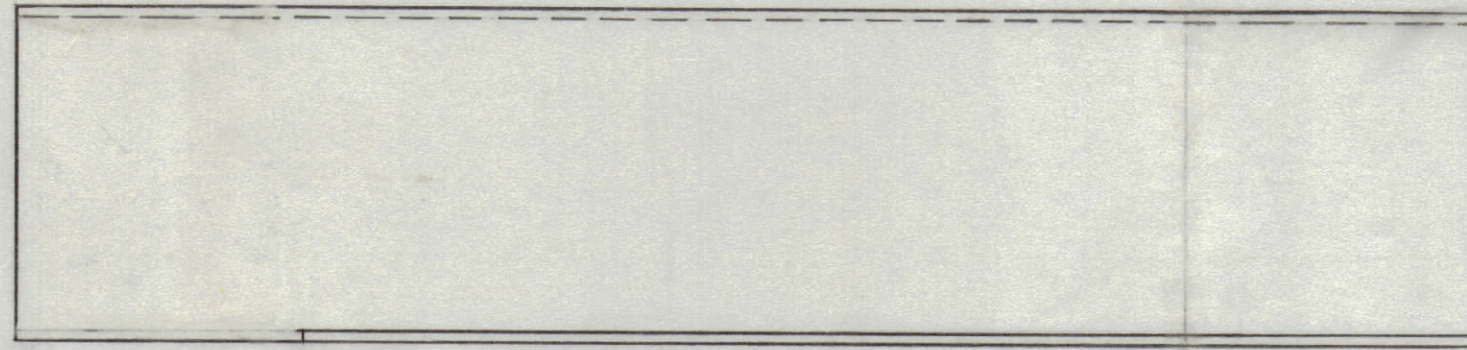
A ~ 1/4 (.250) DIA.

2 REQ'D.

NOTICE TO PERSONS RECEIVING THIS DRAWING

THE TECHNICAL MATERIEL CORPORATION claims proprietary right in the material disclosed hereon. This drawing is issued in confidence for engineering information only and may not be reproduced or used to manufacture anything shown hereon without permission from THE TECHNICAL MATERIEL CORPORATION to the user. This drawing is loaned for mutual assistance and is subject to recall at any time.

Property of:
THE TECHNICAL MATERIEL CORPORATION
MAMARONECK, NEW YORK



MS-1505 D

NOTE - FINISH

- S-404 YELLOW IRIDITE
- S-114 ZINC CHROMATE PRIMER
- S-220 BLUE GRAY, SEMI-GLOSS ENAMEL

ISSUE	ITEM	CHANGED FROM	DATE	CH. NO.	DRAFTS	CHECKER	ENG. APP.
D	2	FS-110-1 ADDED	1-31-61	4041	J.M.F.	J.S.	(Signature)
	1	FS-109-3 ADDED					
C	1	S-404 VEL IRIDITE WAS	12/10/59	1001	A.C.	J.M.	E.M.N.
		S-101 CAUSTIC DIP					
B	1	051 MAT. THKNESS WAS .064	5/12/59	979	J.C.B.	(Signature)	(Signature)
A	1	PICTORIAL CLARIFIED	7/27/59		R.Y.	(Signature)	(Signature)

UNLESS OTHERWISE SPECIFIED DIMENSIONS ARE IN INCHES AND INCLUDE CHEMICALLY APPLIED OR PLATED FINISHES

TOLERANCES

DECIMALS	FRACTIONS
.X ± .05	± 1/64
.XX ± .01	ANGLES
.XXX ± .005	± 0° 30'

SEE HERE GUARANTEED 2-286

REQ.	ITEM	PART NO.	DESCRIPTION	SYMBOL
2	2	FS-109-3	RING, STUD RETAINING	
2	1	FS-110-1	STUD, SLOTTED HEAD	
		.051	THE TECHNICAL MATERIEL CORP. MAMARONECK, NEW YORK	
		ALUMINUM	COVER, TERMINAL STRIP	
		MATERIAL	(rear outside) CAB-7	
		5052 - H 32		
		TYPE & TEMPER		
		DRAWN	ELEC. DES. APP.	MECH. DES. APP.
		HEAT TREAT. SPEC.	FINAL APPROVAL	
		SEE NOTE		
		FINISH & SPEC. NO.	MS-1505 D	

REQ. PER UNIT	MODEL	PROJECT NO.	ASSY. NO.	DATE
1	CAB-7			2-5-59